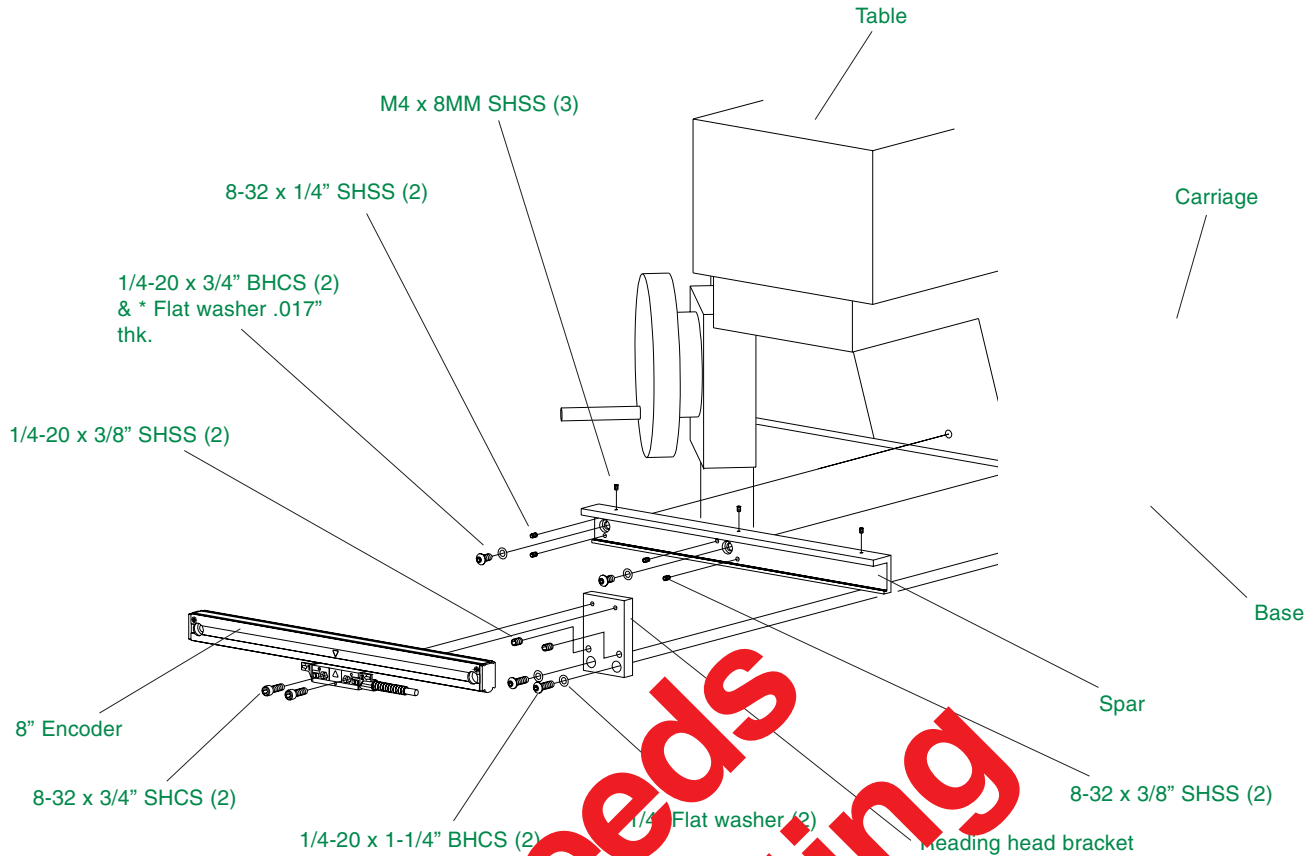


Cross feed ...



Needs Updating

These are application instructions for mounting the 8" Encoder ENC 150 encoder to the cross feed axis.

Before proceeding:

- Read the instructions completely before beginning.
- Axis travel must be \leq encoder measuring length.
- Clean the mounting surfaces.
- Adjust drill depths as required.
- Save the alignment brackets after removal.

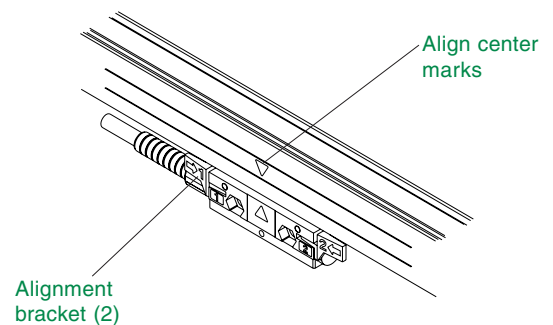
First Steps ...

Machine

- ✓ Move the carriage to its center of travel.
- ✓ Mark the axis so that it can be re-centered easily.

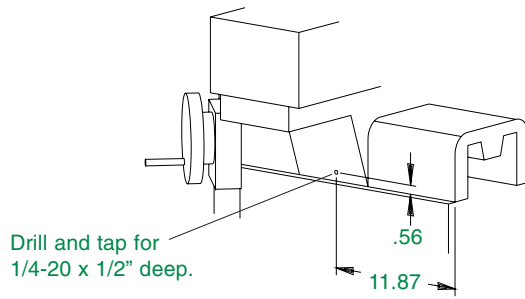
Unpack the encoder in a safe, convenient location.
 ✓ Do not remove the reading head alignment brackets until instructed.

Cross feed installation ...

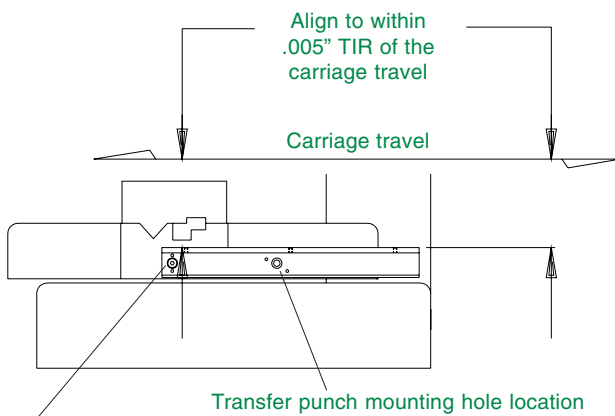


- Slide the reading head and brackets along the scale case until center marks on scale and reading head are aligned.

Spar installation ...

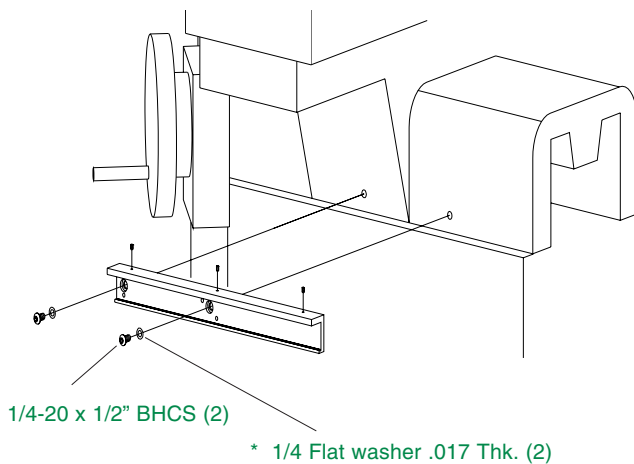


- Drill and tap first spar mounting hole location using the above dimensions.

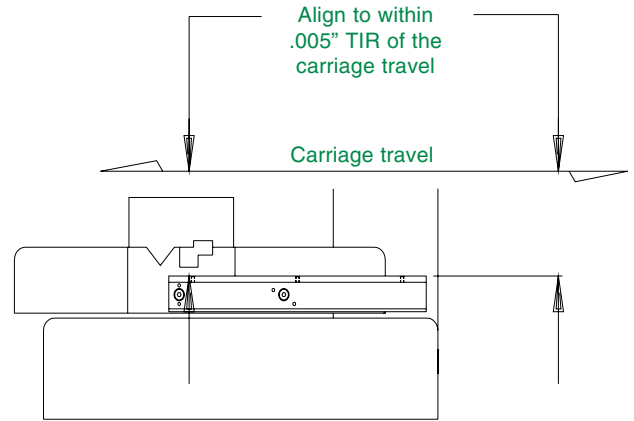


1/4-20 x 1/2" BHCS and * Flat washer (.017" thk.)

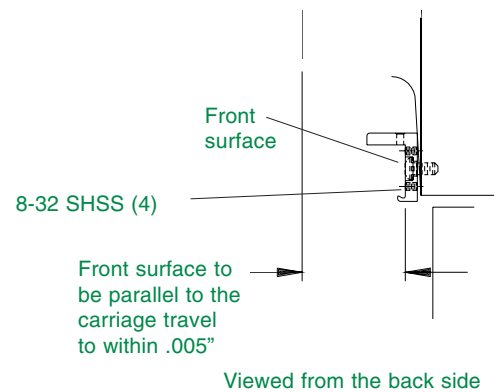
- Fasten the spar at one end.
- Align the top of the spar to the carriage travel.
- Transfer punch the second end mounting hole.
- Remove the spar.
- Drill and tap hole location for a 1/4-20 x 1/2" deep.



- Attach the spar to the carriage.

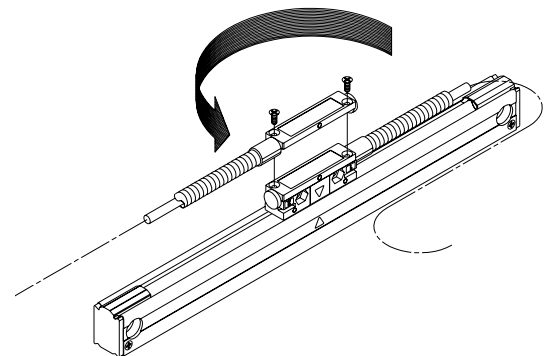


- Align the top of the spar to the carriage travel.

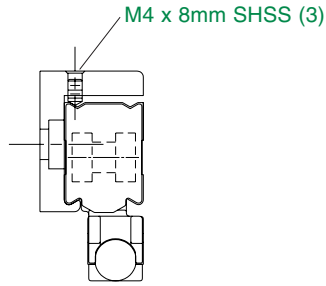


- Insert the 8-32 SHSS into the spar as shown in the exploded view on front page.
- Align the front of the spar to the carriage travel, use the leveling screws for adjustment.
- With top and front surfaces aligned, secure the spar in place.

Cable exit ...

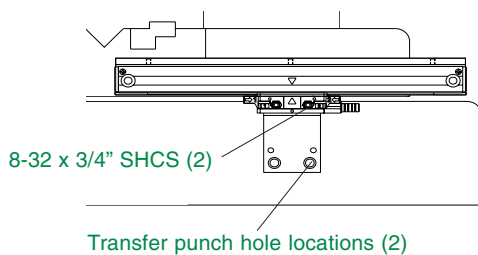


- Determine cable exit direction before installing encoder.
- To change cable exit direction; remove the base and rotate 180°.

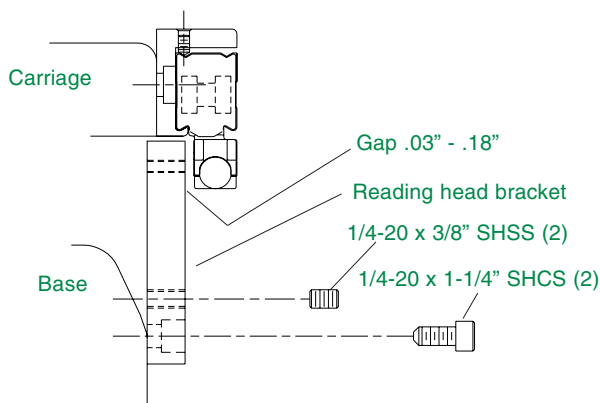


- Insert and center the encoder into the spar.
- Lock in place by inserting and tightening the three M4 spar set screws.

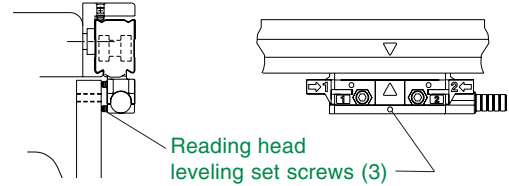
Reading head bracket installation ...



- Move the carriage to the center of its travel, attach the bracket to the reading head.
- Transfer punch the two mounting hole locations to the base.
- Remove the bracket, drill and tap the locations for 1/4-20 x 1/2" deep.

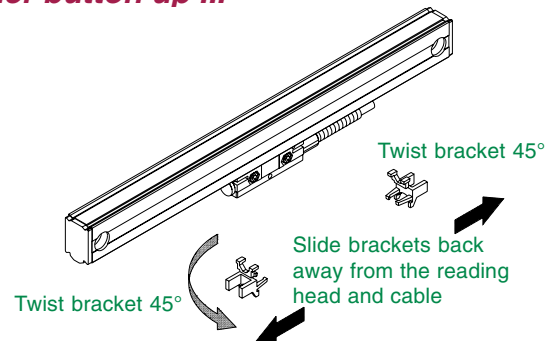


- Insert the two 1/4-20 set screws.
- Attach the bracket to the base.
- Adjust the set screws so that the bracket is parallel with the reading head, a gap of .03" - .18" will exist.
- Adjust the bracket so that the head mounting holes align with the bracket and secure in place.



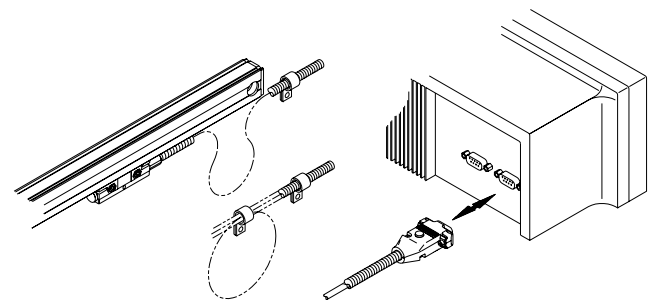
- Set leveling screws by placing a .001" - .003" feeler gage between the screw and the bracket.
- Adjust each screw until a slight drag is felt on the feeler gage.
- Insert two 8-32 x 3/4 SHCS and evenly tighten.

Encoder button up ...



- Use allen wrench from set screw adjustment to slide alignment brackets away from the reading head.
- Remove alignment brackets and save for possible future use.
- Move the axis through its full travel. Confirm that the assembly does not interfere with the machine movement.

Completing the installation ...



- Route the cable providing sufficient slack loops for machine movement to the readout.
- Secure cable by fastening with clips or ties.
- Attach the linear encoder connector to the readout.