

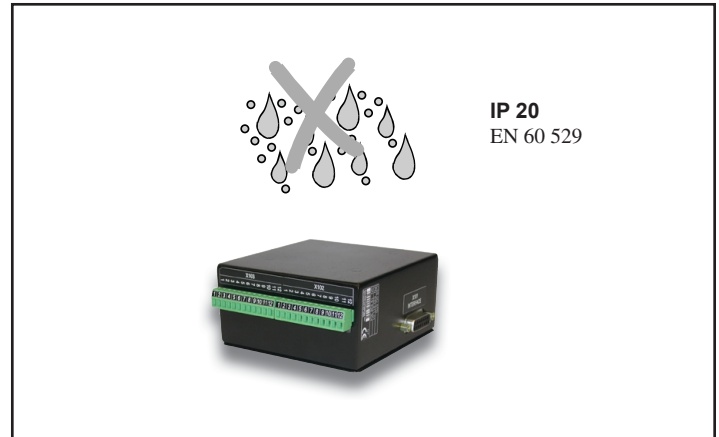
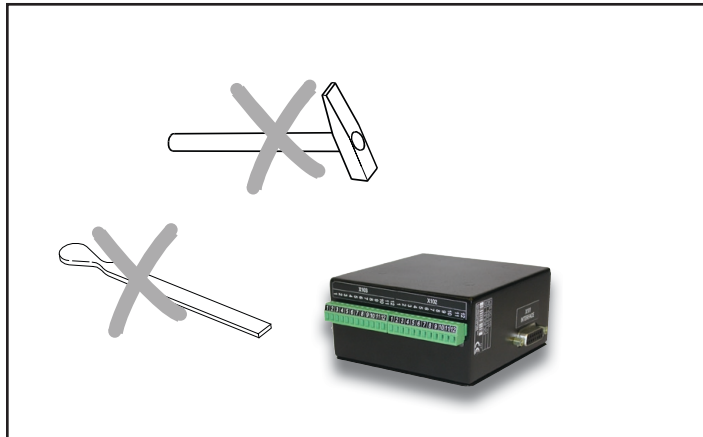
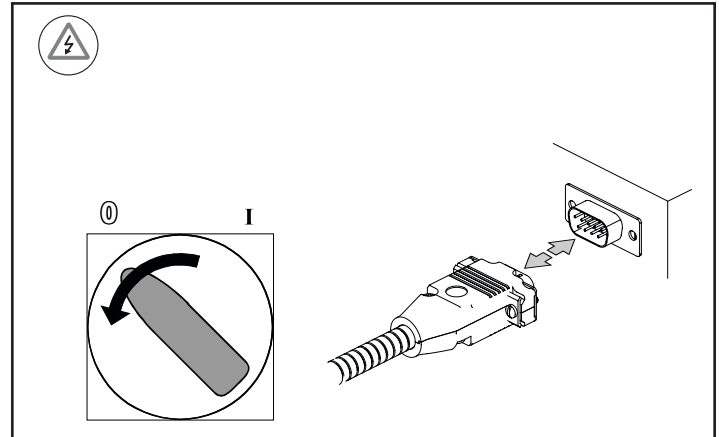
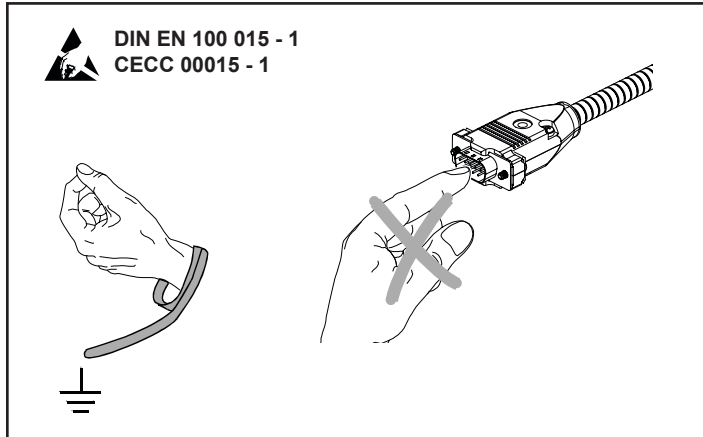
ACU-RITE®

Mounting Instructions
Montageanleitung
Instructions de montage
Istruzioni di montaggio
Instrucciones de montaje

CSS I/O

10/2009

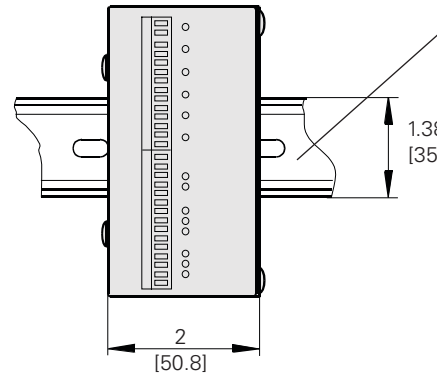
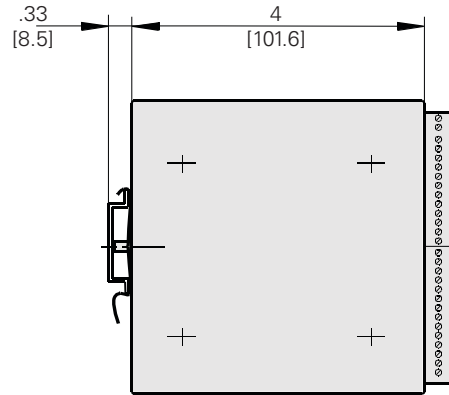




All Dimension are in inches [mm]

Tolerancing ISO 8015

ISO 2768 - m H



DIN rail NS 35
DIN 46 277
EN 50 022
Profilschiene NS 35
Rail profilé NS 35
Guida profilata NS 35
Guia de perfil NS 35

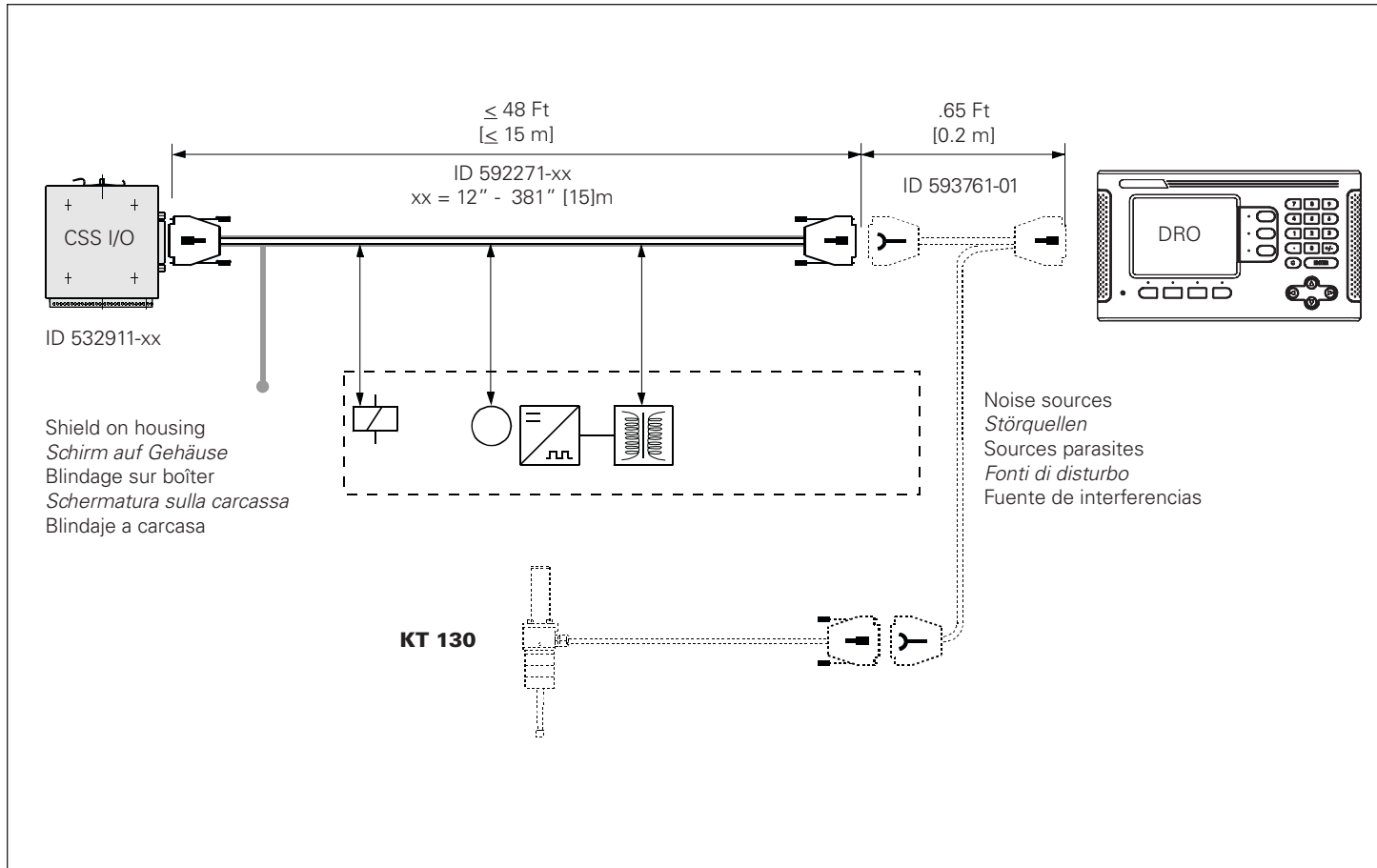
Leave space for connecting cable!

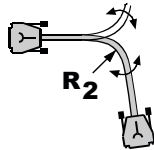
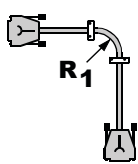
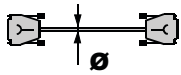
Freiraum für Kabelanschluss beachten!

Attention au dégagement nécessaire pour le raccordement du câble!

Lasciare lo spazio libero necessario per collegare i cavi!

¡ Tener en cuenta el espacio libre para la conexión del cable!

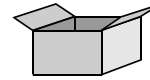
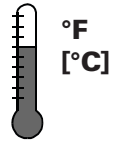




$\varnothing \geq .39"$
[10mm]

$R_1 \geq 2.0"$
[50mm]

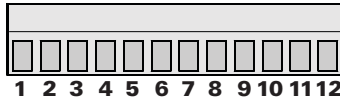
$R_2 \geq 4.0"$
[100mm]



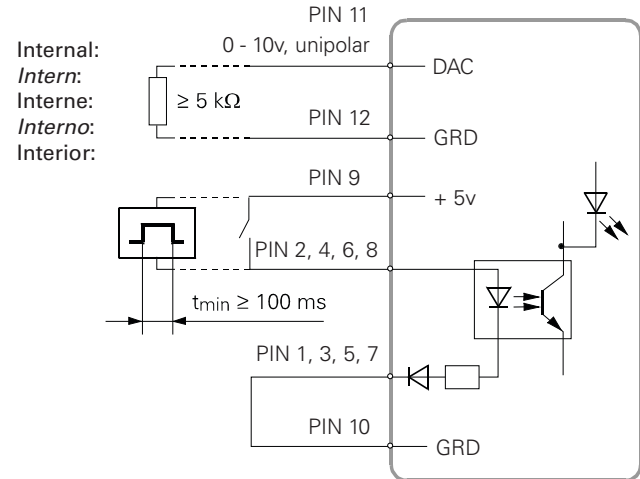
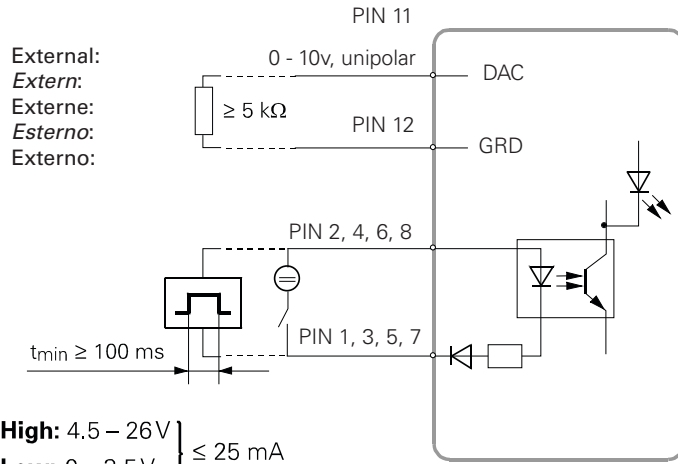
$-4 - 158 \text{ F}$
[$-20 - 70 \text{ C}$]

X102

Inputs / Outputs
 Eingänge / Ausgänge
 Entrées / Sorties
 Ingressi / Uscite
 Entradas / Salidas



TB-X 102	CFI (Mill)	CSS (Turn)
1	ZERO RST 0-	AUTO 0-
2	ZERO RST 0+	AUTO 0+
3	ZERO RST 1-	GEAR 1-
4	ZERO RST 1+	GEAR 1+
5	ZERO RST 2-	GEAR 2-
6	ZERO RST 2+	GEAR 2+
7	reserved	GEAR 3-
8	reserved	GEAR 3+
9	+ 5 v (OUT)	
10	Ground	
11		DAC 0 - 10 v
12		Ground



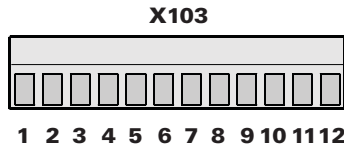
TB-X 102	Schalten (Fräsen)	CSS (Drehen)
1	Nullen 0-	AUTO 0-
2	Nullen 0+	AUTO 0+
3	Nullen 1-	Gang 1-
4	Nullen 1+	Gang 1+
5	Nullen 2-	Gang 2-
6	Nullen 2+	Gang 2+
7	reserviert	Gang 3-
8	reserviert	Gang 3+
9	+ 5 v (Ausg.)	
10	GRD	
11		DAC 0...10 v
12		GRD

TB-X 102	CFI (fresado)	CSS (torno)
1	Poner a cero 0-	AUTO 0-
2	Poner a cero 0+	AUTO 0+
3	Poner a cero 1-	GEAR 1-
4	Poner a cero 1+	GEAR 1+
5	Poner a cero 2-	GEAR 2-
6	Poner a cero 2+	GEAR 2+
7	reservado	GEAR 3-
8	reservado	GEAR 3+
9	+ 5 v (salida)	
10	Ground	
11		DAC 0...10 v
12		Ground

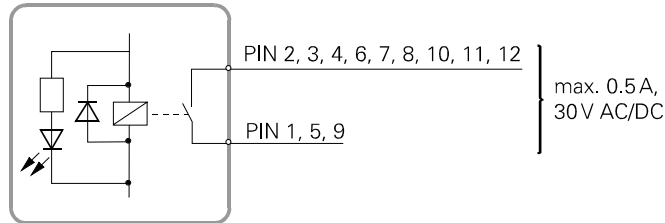
TB-X 102	CFI (Fraisage)	CSS (Tournage)
1	RAZ 0-	AUTO 0-
2	RAZ 0+	AUTO 0+
3	RAZ 1-	Gamme 1-
4	RAZ 1+	Gamme 1+
5	RAZ 2-	Gamme 2-
6	RAZ 2+	Gamme 2+
7	réservée	Gamme 3-
8	réservée	Gamme 3+
9	+ 5 v (sortie)	
10	GRD	
11		DAC 0...10 v
12		GRD

TB-X 102	CFI (Fresatura)	CSS (Tornitura)
1	ZERO RST 0-	AUTO 0-
2	ZERO RST 0+	AUTO 0+
3	ZERO RST 1-	GEAR 1-
4	ZERO RST 1+	GEAR 1+
5	ZERO RST 2-	GEAR 2-
6	ZERO RST 2+	GEAR 2+
7	riservato	GEAR 3-
8	riservato	GEAR 3+
9	+ 5 v (OUT)	
10	Ground	
11		DAC 0...10 v
12		Ground

Outputs
Ausgänge
Sorties
Uscite
Salidas



TB-X 103	CFI (Mill)	CSS (Turn)
1	RLY COM (GND)	RLY COM (GND)
2	Range 1	Range 1
3	Range 2	Range 2
4	Range 3	Range 3
5	RLY COM (GND)	RLY COM (GND)
6	Range 4	Range 4
7	Range 5	Range 5
8	Range 6	
9	RLY COM (GND)	Analog Inv
10	Range 7	Analog Man
11	Range 8	Analog CSSTTT
12	Ready	



Delay time
Verzögerungszeit
Retard
Ritardo
Retardo

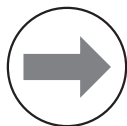
} ≤ 25 ms

TB-X 103	<i>Schalten (Fräsen)</i>	<i>CSS (Drehen)</i>
1	<i>Relais COM (GND)</i>	<i>Relais COM (GND)</i>
2	<i>Bereich 1</i>	<i>Bereich 1</i>
3	<i>Bereich 2</i>	<i>Bereich 2</i>
4	<i>Bereich 3</i>	<i>Bereich 3</i>
5	<i>Relais COM (GND)</i>	<i>Relais COM (GND)</i>
6	<i>Bereich 4</i>	<i>Bereich 4</i>
7	<i>Bereich 5</i>	<i>Bereich 5</i>
8	<i>Bereich 6</i>	
9	<i>Relais COM (GND)</i>	<i>Analog Inv.</i>
10	<i>Bereich 7</i>	<i>Analog Man.</i>
11	<i>Bereich 8</i>	<i>Analog CSS</i>
12	<i>Bereitschaft</i>	

TB-X 103	<i>Conmutar (fredado)</i>	<i>CSS (torno)</i>
1	<i>Relé COM (GND)</i>	<i>Relé COM (GND)</i>
2	<i>Rango 1</i>	<i>Rango 1</i>
3	<i>Rango 2</i>	<i>Rango 2</i>
4	<i>Rango 3</i>	<i>Rango 3</i>
5	<i>Relé COM (GND)</i>	<i>Relé COM (GND)</i>
6	<i>Rango 4</i>	<i>Rango 4</i>
7	<i>Rango 5</i>	<i>Rango 5</i>
8	<i>Rango 6</i>	
9	<i>Relé COM (GND)</i>	<i>Analog Inv.</i>
10	<i>Rango 7</i>	<i>Analog Man.</i>
11	<i>Rango 8</i>	<i>Analog CSS</i>
12	<i>Preparado</i>	

TB-X 103	<i>CFI (Fraisage)</i>	<i>CSS (Tournage)</i>
1	<i>Relais COM (GND)</i>	<i>Relais COM (GND)</i>
2	<i>Plage 1</i>	<i>Plage 1</i>
3	<i>Plage 2</i>	<i>Plage 2</i>
4	<i>Plage 3</i>	<i>Plage 3</i>
5	<i>Relais COM (GND)</i>	<i>Relais COM (GND)</i>
6	<i>Plage 4</i>	<i>Plage 4</i>
7	<i>Plage 5</i>	<i>Plage 5</i>
8	<i>Plage 6</i>	
9	<i>Relais COM (GND)</i>	<i>Analog Inv.</i>
10	<i>Plage 7</i>	<i>Analog Man.</i>
11	<i>Plage 8</i>	<i>Analog CSS</i>
12	<i>EN service</i>	

TB-X 103	<i>Comando (Fresatura)</i>	<i>CSS (Tornitura)</i>
1	<i>Relais COM (GND)</i>	<i>Relais COM (GND)</i>
2	<i>Campo 1</i>	<i>Campo 1</i>
3	<i>Campo 2</i>	<i>Campo 2</i>
4	<i>Campo 3</i>	<i>Campo 3</i>
5	<i>Relais COM (GND)</i>	<i>Relais COM (GND)</i>
6	<i>Campo 4</i>	<i>Campo 4</i>
7	<i>Campo 5</i>	<i>Campo 5</i>
8	<i>Campo 6</i>	
9	<i>Relais COM (GND)</i>	<i>Analog Inv.</i>
10	<i>Campo 7</i>	<i>Analog Man.</i>
11	<i>Campo 8</i>	<i>Analog CSS</i>
12	<i>Pronto</i>	



For operating functions, see the CSS I/O User's Manual under www.Acu-Rite.com or www.anilam.com (Service and Documentation).

Betriebsfrnktion siehe Benutzer-Handbuch CSS I/O unter www.Acu-Rite.com or www.anilam.com (Service and Dokumentation).

Fonctionnement: cf. Manuel d'utilisaton CSS I/O sous www.Acu-Rite.com or www.anilam.com (Service et documentation).

Fonctionnement: vedi manuale operativo CSS I/O all'indirizzo www.Acu-Rite.com or www.anilam.com (Service e Documentazione).

Ver funcionamiento en Modo de Empleo CSS I/O en www.Acu-Rite.com or www.anilam.com (Servicio y Documentación).

HEIDENHAIN

DR. JOHANNES HEIDENHAIN GmbH

Dr.-Johannes-Heidenhain-Straße 5

83301 Traunreut, Germany

☎ +49 (86 69) 31-0

[FAX] +49 (86 69) 50 61

e-mail: info@heidenhain.de

Technical support [FAX] +49 (86 69) 31-10 00

e-mail: service@heidenhain.de

Measuring systems ☎ +49 (86 69) 31-31 04

e-mail: service.ms-support@heidenhain.de

TNC support ☎ +49 (86 69) 31-31 01

e-mail: service.nc-support@heidenhain.de

NC programming ☎ +49 (86 69) 31-31 03

e-mail: service.nc-pgm@heidenhain.de

PLC programming ☎ +49 (86 69) 31-31 02

e-mail: service.plc@heidenhain.de

Lathe controls ☎ +49 (7 11) 95 28 03-0

e-mail: service.hsf@heidenhain.de

www.heidenhain.de

HEIDENHAIN CORPORATION

333 East State Parkway

Schaumburg, IL 60173-5337 USA

☎ +1 (847) 490-1191

[FAX] +1 (847) 490-3931

E-Mail: info@heidenhain.com

www.heidenhain.com

