

ACU-RITE®

IB 2X External encoder input box for DRO300

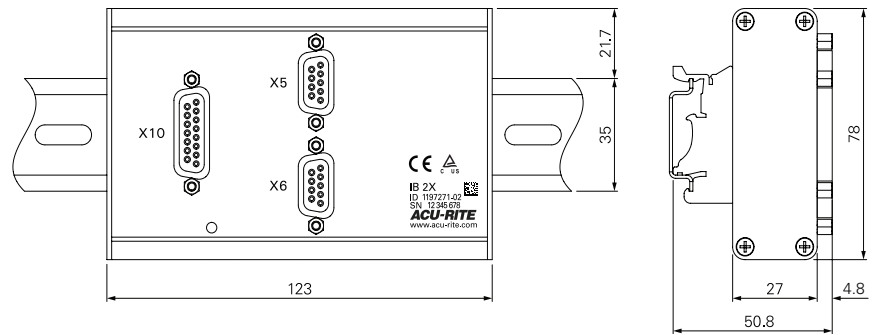
ACU-RITE's IB 2X external unit provides two additional encoder connections when connected to a compatible digital readout. It must be mounted on a standard 35 mm, DIN EN 50022 rail to ensure the correct and intended operation of the product.

	IB 2X
Encoder interfaces	2 – TTL; Max. current 300mA; max. input frequency 500kHz; 9-Pin D-Sub
Output	1 – 15-Pin M D-Sub (X10)
Mounting	On a standard NS 35mm DIN rail in an electrical cabinet or on a stand
Protection EN 60529	IP 40 (intended for indoor use only)
Voltage supply	Via the DRO
Cable length	Do not exceed a maximum combined cable length of 30m
Storage temperature	0°C ... 45°C
Operating temperature	-20°C ... 70°C

Accessories:

Connecting cable complete with connectors, between IB 2X and DRO

Distribution cable (Y cable) complete with connectors, for parallel connection of IB 2X, IOB 610, and KT 130 on DRO



X10

On the IB 2X and IOB 610							
8	7	6	5	4	3	2	1
0	0	0	0	0	0	0	0
15	14	13	12	11	10	9	
1	2	3	4	5	6	7	8
0V	/	Signal low	/	/	DC 5V	0V	0V
9	10	11	12	13	14	15	
Signal high	/	/	Value Output Contact	/	Value Output Pulse	0V	

Vacant pins or wires must not be used.

X5, X6


TTL								
5	4	3	2	1				
0	0	0	0	0				
9	8	7	6					
1	2	3	4	5	6	7	8	9
/	A+	A-	B+	B-	GND	DC 5V	R-	R+

Vacant pins or wires must not be used.

ACU-RITE®

HEIDENHAIN CORPORATION
 333 East State Parkway
 Schaumburg, IL 60173-5337 USA
 (847) 490-1191
 (847) 490-3931
 info@heidenhain.com

www.acu-rite.com

 **Certifications**
 ISO-9001, UL, CSA, CE
 ACU-RITE® is a registered trademark of HEIDENHAIN CORPORATION
 Rev. 05/2020