

ACU-RITE

Installation Instructions
Installationsanleitung
Guide d'installation
Istruzioni di installazione
Instrucciones de instalación
Pokyny k instalaci
Instrukcja instalacji
Üzembehelyezési útmutató
Pokyny na inštaláciu
Kurulum Talimatları

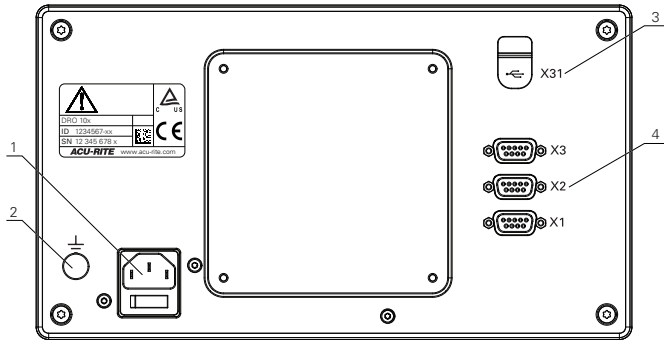
คำแนะนำการติดตั้ง
安装说明



DRO 100
DRO 203
DRO 300

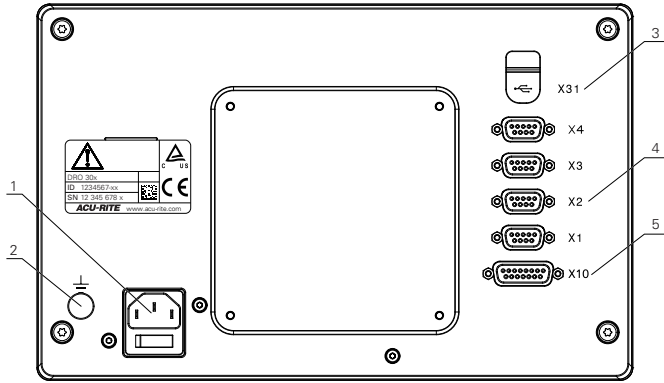
Installation Instructions.....	5
Installationsanleitung.....	15
Guide d'installation.....	25
Istruzioni di installazione.....	35
Instrucciones de instalación.....	45
Pokyny k instalaci.....	55
Instrukcja instalacji.....	65
Üzembehelyezési útmutató.....	75
Pokyny na inštaláciu.....	85
Kurulum Talimatları.....	95
คำแนะนำการติดตั้ง.....	105
安装说明.....	115

A



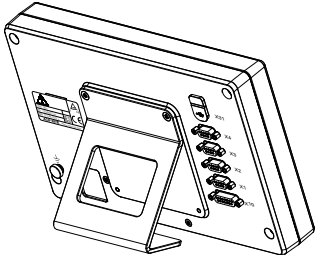
DRO 103

B

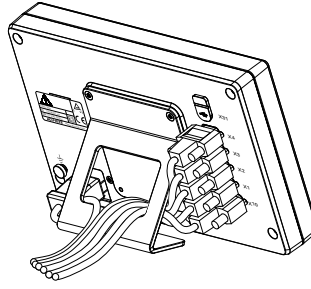


DRO 304

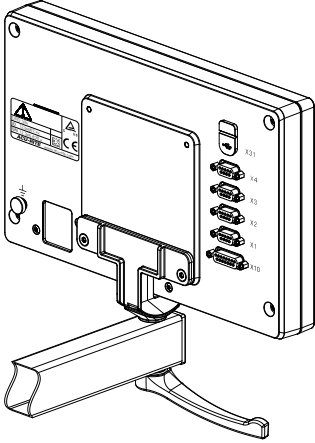
C



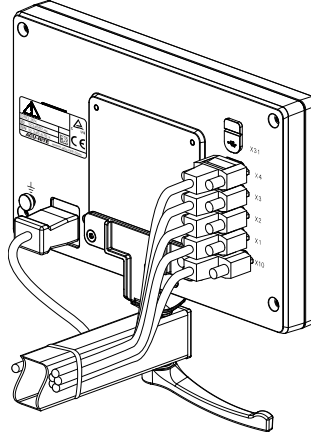
DRO 304



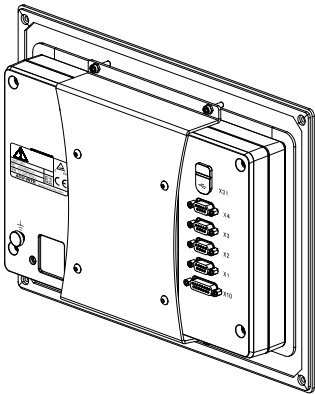
D



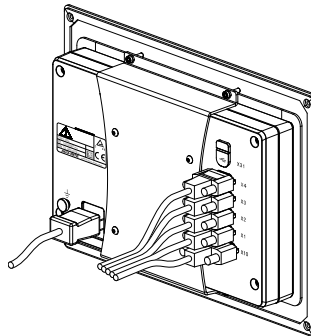
DRO 304



E



DRO 304



1 Fundamentals

1.1 About these instructions

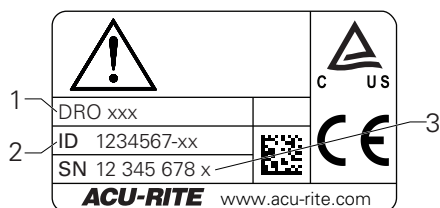
These instructions provide all the information and safety precautions needed for the proper mounting and installation of the product.

1.2 Information on the product

Product designation	Part number
DRO 101 1 axis	1197252-xx
DRO 102 2 axes	
DRO 103 3 axes	
DRO 203 3 axes	1197250-xx
DRO 303 3 axes with IOB 610/KT 130 connection	1197251-xx
DRO 304 4 axes with IOB 610/KT 130 connection	

The ID label is provided on the back of the product.

Example:



- 1 Product designation
- 2 Part number
- 3 Index

Validity of the documentation

Before using the documentation and the product, you need to verify that the documentation matches the product.

- ▶ Compare the part number and the index indicated in the documentation with the corresponding data given on the ID label of the product
- ▶ If the part numbers and indexes match, the documentation is valid



If the part numbers and indexes do not match so that the documentation is not valid, you will find the current documentation for the product at www.acu-rite.com.

1.3 Notes on reading the documentation

The table below lists the components of the documentation in the order of priority for reading.

⚠ WARNING

Fatal accidents, personal injury or property damage caused by non-compliance with the documentation!

Failure to comply with the documentation may result in fatal accidents, personal injury or property damage.

- ▶ Read the documentation carefully from beginning to end
- ▶ Keep the documentation for future reference

Documentation	Description
Addendum	An addendum supplements or supersedes the corresponding contents of the Operating Instructions and, if applicable, of the Installation Instructions. If this document is included in the shipment, read it first before you proceed. All other contents of the documentation retain their validity.
Installation Instructions	The Installation Instructions contain all the information and safety precautions needed for the proper mounting and installation of the product. They are an excerpt from the Operating Instructions and are included in every shipment. This document has the second highest priority for reading.
Operating Instructions	The Operating Instructions contain all the information and safety precautions needed for the proper operation of the product according to its intended use. This document has the third highest priority for reading. This documentation can be downloaded from the download area at www.acu-rite.com . The Operating Instructions must be printed prior to commissioning the product.
Documentation of connected measuring devices and other peripherals	These documents are not included in delivery. They are shipped with the respective measuring devices and peripherals.

Would you like any changes, or have you found any errors?

We are continuously striving to improve our documentation for you. Please help us by sending your requests to the following e-mail address:

userdoc@acu-rite.de

1.4 Storage and distribution of the documentation

The instructions must be kept in the immediate vicinity of the workplace and must be available to all personnel at all times. The operating company must inform the personnel where these instructions are kept. If the instructions have become illegible, the operating company must obtain a replacement from the manufacturer.

If the product is given or resold to any other party, the following documents must be passed on to the new owner:

- Addendum, if supplied
- Installation Instructions
- Operating Instructions

1.5 Target group for the instructions

The Installation Instructions must be read and observed by every person who performs any of the following tasks:

- Mounting
- Installation

1.6 Notes in this documentation

Safety precautions

Comply with all safety precautions indicated in these instructions and in your machine tool builder's documentation!

Precautionary statements warn of hazards in handling the product and provide information on their prevention.

Precautionary statements are classified by hazard severity and divided into the following groups:

DANGER

Danger indicates hazards for persons. If you do not follow the avoidance instructions, the hazard will **result in death or severe injury**.

WARNING

Warning indicates hazards for persons. If you do not follow the avoidance instructions, the hazard **could result in death or serious injury**.

CAUTION

Caution indicates hazards for persons. If you do not follow the avoidance instructions, the hazard **could result in minor or moderate injury**.

NOTICE

Notice indicates danger to material or data. If you do not follow the avoidance instructions, the hazard **could result in things other than personal injury, like property damage**.

Informational notes

Observe the informational notes provided in these instructions to ensure reliable and efficient operation of the product.

In these instructions, you will find the following informational notes:



The information symbol indicates a **tip**. A tip provides important additional or supplementary information.



The gear symbol indicates that the function described **depends on the machine**, e.g.

- Your machine must feature a certain software or hardware option
- The behavior of the function depends on the configurable machine settings



The book symbol represents a **cross reference** to external documentation, e.g. the documentation of your machine tool builder or other supplier.

2 Safety

2.1 General safety precautions

General accepted safety precautions, in particular the applicable precautions relating to the handling of live electrical equipment, must be followed when operating the system. Failure to observe these safety precautions may result in personal injury or damage to the product.

It is understood that safety rules within individual companies vary. If a conflict exists between the material contained in these instructions and the rules of a company using this system, the more stringent rules take precedence.

2.2 Intended use

The products of the DRO 100, DRO 200, and DRO 300 series are advanced digital readouts for use on manually operated machine tools. In combination with linear and angle encoders, digital readouts of the DRO 100, DRO 200, and DRO 300 series display the position of the tool in more than one axis and provide further functions for operating the machine tool.

The products of the DRO 100, DRO 200, and DRO 300 series:

- must only be used in commercial applications and in an industrial environment
- must be mounted on a suitable stand or holder to ensure the correct and intended operation of the product
- are intended for indoor use in an environment in which the contamination caused by humidity, dirt, oil and lubricants complies with the requirements of the specifications



The products of the DRO 100, DRO 200, and DRO 300 series support the use of a wide variety of peripheral devices from different manufacturers. HEIDENHAIN cannot make any statements on the intended use of these devices. The information on their intended use, which is provided in the associated documentations, must be observed.

2.3 Improper use

When the product is used it must be ensured that no hazard to persons can result. If any such hazard exists, appropriate measures must be taken by the operating company.

In particular, the product must not be used in the following applications:

- Use and storage outside the specifications
- Outdoor use
- Use in potentially explosive atmospheres
- Use of the product as part of a safety function

2.4 Personnel qualification

The personnel for mounting and installation must be appropriately qualified for this work and must have obtained sufficient information from the documentation supplied with the product and with the connected peripherals.

The personnel required for the individual activities to be performed on the product are indicated in the respective sections of these instructions.

The personnel groups that are responsible for mounting and installation have different qualifications and tasks, which are specified as follows.

Qualified personnel

The qualified personnel are trained by the operating company to perform advanced operation and parameterization. The qualified personnel have the required technical training, knowledge and experience and know the applicable regulations, and are thus capable of performing the assigned work regarding the application concerned and of proactively identifying and avoiding potential risks.

Electrical specialist

The electrical specialist has the required technical training, knowledge and experience and knows the applicable standards and regulations, and is thus capable of performing work on electrical systems and of proactively identifying and avoiding potential risks. Electrical specialists have been specially trained for the environment they work in.

Electrical specialists must comply with the provisions of the applicable legal regulations on accident prevention.

2.5 Obligations of the operating company

The operating company owns or leases the product and the peripherals. It is responsible that the intended use is complied with at all times.

The operating company must:

- Assign the different tasks to be performed on the product to appropriate, qualified, and authorized personnel
- Verifiably train personnel in the tasks they are allowed to perform and how to perform them
- Provide all materials and means necessary in order for personnel to complete the assigned tasks
- Ensure that the product is operated only when in perfect technical condition
- Ensure that the product is protected from unauthorized use

2.6 General safety precautions



The safety of any system incorporating the use of this product is the responsibility of the assembler or installer of the system.



The product supports the use of a wide variety of peripheral devices from different manufacturers. HEIDENHAIN cannot make any statements on the specific safety precautions to be taken for these devices. The safety precautions provided in the respective documentations must be observed. If no such information has been supplied, it must be obtained from the manufacturers concerned.

The specific safety precautions required for the individual activities to be performed on the product are indicated in the respective sections of these instructions.

2.6.1 Symbols in the instructions

The following safety symbols are used in this manual:

Symbol	Meaning
	Identifies information that warns of personal injury
	Identifies electrostatic sensitive devices (ESD)
	ESD wristband for personal grounding

2.6.2 Symbols on the product

The following symbols are used to identify the product:

Symbol	Meaning
	Observe the safety precautions regarding electricity and power connection before you connect the product
	Earth (ground) terminal as per IEC 60417 - 5017. Observe the information on installation.

2.6.3 Electrical safety instructions

WARNING

Hazard of contact with live parts when opening the product.

This may result in electric shock, burns or death.

- ▶ Never open the housing
- ▶ Only the manufacturer is permitted to access the inside of the product

WARNING

Hazard of dangerous amount of electricity passing through the human body upon direct or indirect contact with live electrical parts.

This may result in electric shock, burns or death.

- ▶ Work on the electrical system and live electrical components is to be performed only by trained specialists
- ▶ For power connection and all interface connections, use only cables and connectors that comply with applicable standards
- ▶ Have the manufacturer exchange defective electrical components immediately
- ▶ Regularly inspect all connected cables and all connections on the product. Defects, such as loose connections or scorched cables, must be removed immediately

NOTICE

Damage to internal parts of the product!

Opening the product will result in forfeiture of warranty and guarantee.

- ▶ Never open the housing
- ▶ Only the product manufacturer is permitted to access the inside of the product

3 Transport and storage

3.1 Overview

This chapter contains all of the information necessary for the transportation and storage of the product and provides an overview of the items supplied and the available accessories for the product.

3.2 Unpacking

- ▶ Open the top lid of the box
- ▶ Remove the packaging materials
- ▶ Unpack the contents
- ▶ Check the delivery for completeness
- ▶ Check the delivery for damage

3.3 Items supplied and accessories

Items supplied

The following items are included in the shipment:

- Product
- Power cord (in 1197250-0x, 1197251-0x, 1197252-0x)
- Installation instructions
- Addendum (optional)

Further information: "Notes on reading the documentation", Page 5

Accessories

The following items are optionally available and can be ordered from HEIDENHAIN as additional accessories:

Accessories	Part number
Single-Pos stand For rigid mounting, inclination angle 20°	1197273-01
Multi-Pos holder For fastening on an arm, continuously tiltable and swivelable	1197273-02
Mounting frame For mounting to a panel. Compatible with DRO 203 and DRO 30x products only.	1197274-01
Cover For protection from dirt and debris	1197275-01
KT 130 edge finder For probing a workpiece (for setting reference points). Compatible with DRO 30x products only.	283273-xx
IOB 610 For switching input and output functions. Compatible with DRO 30x products only.	1197271-01

3.4 In case of damage in transit

- ▶ Have the shipping agent confirm the damage
- ▶ Keep the packaging materials for inspection
- ▶ Notify the sender of the damage
- ▶ Contact the distributor or machine manufacturer for replacement parts



In case of damage in transit:

- ▶ Keep the packaging materials for inspection
- ▶ Contact HEIDENHAIN or the machine manufacturer

This applies also if damage occurred to requested replacement parts during transit.

3.5 Repackaging and storage

Repackage and store the product carefully in accordance with the conditions stated below.

Repackaging

Repackaging should correspond to the original packaging as closely as possible.

- ▶ Attach all mounting parts and dust protection caps to the product or repackage them in the same way they were originally shipped from the factory.
- ▶ Repackage the product such that it is protected from impact and vibration during transit
- ▶ Repackage the product such that it is protected from the ingress of dust or humidity
- ▶ Place all accessories that were included in the shipment in the original packaging

Further information: "Items supplied and accessories", Page 9

- ▶ Include the Addendum (if it was included in the items supplied), the Installation Instructions and the Operating Instructions

Further information: "Storage and distribution of the documentation", Page 6



If you return the product for repair to a service agency:

- ▶ Ship the product without accessories, without measuring devices and without peripherals

Storage of the product

- ▶ Package the product as described above
- ▶ Observe the specified ambient conditions
- ▶ Inspect the product for damage after any transport or longer storage times

4 Mounting

4.1 Overview

This chapter contains all of the information necessary for mounting the product.



The following steps are only to be performed by qualified personnel.

Further information: "Personnel qualification", Page 7

4.2 Assembly

General mounting information

The receptacle for the mounting variants is provided on the rear panel. The connection is compatible with VESA standard 100 mm x 100 mm.

DRO 10x: **Further information:** "G", Page 125

DRO 203, DRO 30x: **Further information:** "K", Page 126

The material for attaching the mounting variants on the device is included in the delivery.

You will also need the following:

- Torx T20 screwdriver
- 2.5 mm allen wrench
- 7 mm socket wrench
- Material for mounting on supporting surface



The product must be mounted on a stand or holder to ensure the correct and intended operation of the product.

Routing the cables



In the figures showing the stand and holder, you will find suggestions for routing the cables after mounting.

Single-Pos stand: **Further information:** "C", Page 4

Multi-Pos holder: **Further information:** "D", Page 4

Mounting frame: **Further information:** "E", Page 4

If mounting to a stand:

- ▶ Bring the cables together
- ▶ Route the cables together through the opening in the stand from behind
- ▶ Route the cables laterally to the connections

If mounting to a holder:

- ▶ Bring the cables together
- ▶ Route the cables laterally to the connections
- ▶ Secure the cables to the arm with cable ties

4.2.1 Mounting on Single-Pos stand

The Single-Pos stand allows you to place the product on a surface at an inclination angle of 20° and secure the product to a surface.

Mount the stand to the upper VESA 100 tapped holes on the rear panel of the product

- ▶ Use a Torx T20 screwdriver to tighten the countersunk head screws M4 x 8 ISO 14581 included in delivery
- ▶ Comply with the permissible tightening torque of 2.6 Nm

Secure the product against movement during operation

- ▶ Attach the supplied self-adhesive rubber pads to the bottom of the product
- ▶ If you do not screw the product to a surface, attach self-adhesive rubber pads to the bottom of the stand



Attach the rubber pads to the stand only if you do not screw the product to a surface.

Further information: "C", Page 4

Dimensions of the Single-Pos stand

DRO 10x: **Further information:** "H", Page 125

DRO 203, DRO 30x: **Further information:** "L", Page 127

4.2.2 Mounting on Multi-Pos holder

Mount the holder to the bottom VESA 100 tapped holes on the rear panel of the product

- ▶ Use a Torx T20 screwdriver to tighten the countersunk head screws M4 x 10 ISO 14581 (black) included in delivery
- ▶ Comply with the permissible tightening torque of 2.5 Nm

You can tilt and swivel the holder to an angle that allows you to comfortably view the readout.

Further information: "D", Page 4

Dimensions of the Multi-Pos holder

DRO 10x: **Further information:** "I", Page 126

DRO 203, DRO 30x: **Further information:** "M", Page 127

4.2.3 Mounting in a mounting frame



The mounting frame is compatible with DRO 203 and DRO 30x products only.

The mounting frame allows you to mount the product in a panel.

Mount the rear plate of the frame to the VESA 100 tapped holes on the rear panel of the product

- ▶ Use a 2.5 mm allen wrench to tighten the screws M4 x 6 ISO 7380 included in delivery
- ▶ Comply with the permissible tightening torque of 2.6 Nm

Mount the rear plate and the product to the front plate of the frame

- ▶ Use a 7 mm socket wrench to tighten the nuts M4 ISO 10511 included in delivery
- ▶ Comply with the permissible tightening torque of 3.5 Nm

Mount the frame and readout in the panel

- ▶ Refer to the mounting instructions provided with the mounting frame for panel cutout and mounting information

Further information: "E", Page 4

Dimensions of the mounting frame

Further information: "N", Page 127

4.2.4 Mounting a cover

The cover protects the product from dirt and debris.

Place the cover on the product

- ▶ Place the cover over the product
- ▶ Align the cover and product on the right hand side, when viewing the front of the product

Mount the cover to the product

- ▶ Remove the adhesive strip protectors from the adhesive tabs
- ▶ Fold the adhesive tabs toward the product
- ▶ Press the adhesive tabs against the product securing the tab to the product

5 Installation

5.1 Overview

This chapter contains all the information necessary for installing the product.



The following steps must be performed only by qualified personnel.

Further information: "Personnel qualification", Page 7

5.2 General information

NOTICE

Engaging and disengaging connecting elements!

Risk of damage to internal components.

- ▶ Do not engage or disengage any connecting elements while the unit is under power

NOTICE

Electrostatic discharge (ESD)!

This product contains electrostatic sensitive components that can be destroyed by electrostatic discharge (ESD).

- ▶ It is essential to observe the safety precautions for handling ESD-sensitive components
- ▶ Never touch connector pins without ensuring proper grounding
- ▶ Wear a grounded ESD wristband when handling product connections

NOTICE

Incorrect pin assignment!

This may cause product malfunctions or damage to the product.

- ▶ Only assign pins or wires that are used

5.3 Product overview

The connections on the rear panel of the device are protected by dust protection caps from contamination and damage.

NOTICE

Contamination or damage may result if the dust protection caps are missing!

This may impair the proper functioning of the contacts or destroy them.

- ▶ Remove dust protection caps only when connecting measuring devices or peripherals
- ▶ If you remove a measuring device or peripheral, reattach the dust protection cap to the connection



The type and number of connections may vary depending on the product version.

Rear panel without dust protection caps

DRO 10x: **Further information:** "A", Page 3

DRO 203, DRO 30x: **Further information:** "B", Page 3

Rear panel

- 1 Power switch and power connection
- 2 Earth (ground) terminal as per IEC 60471 - 5017
- 3 **X31:** USB 2.0 Hi-Speed connection (Type C) for USB mass storage device and PC connection (beneath protective cover)
- 4 **X1 to X4:** Device variant with 9-pin D-sub connections for encoders with TTL interface
- 5 **X10:** 15-pin D-sub connection for touch probes and auxiliary devices (e.g. HEIDENHAIN touch probe, IOB). Available on DRO 30x products only.

5.4 Connecting the encoders

- ▶ Remove and save the dust protection caps
- ▶ Route the cables depending on the mounting variant

Further information: "Assembly", Page 10

- ▶ Connect the encoder cables tightly to the respective connections

Further information: "Product overview", Page 12

- ▶ If the cable connectors include mounting screws, do not overtighten them

Pin layout of X1 to X4

Further information: "O", Page 128

5.5 Connecting a USB device

- ▶ Open the dust protection cap
- ▶ Connect the USB device or cable to the respective connection

Further information: "Product overview", Page 12

Pin layout of X31

Further information: "P", Page 128

5.6 Connecting a touch probe



The following touch probe can be connected to a DRO 30x product:

- HEIDENHAIN KT 130 edge finder

Further information: "Accessories", Page 9

- ▶ Remove and save the dust protection caps
- ▶ Route the cables depending on the mounting variant

Further information: "Assembly", Page 10

- ▶ Connect the touch probe tightly to connection X10

Further information: "Product overview", Page 12

- ▶ If the cable connectors include mounting screws, do not overtighten them

Pin layout of X10

Further information: "Q", Page 128

5.7 Connecting the line voltage

WARNING

Risk of electric shock!

Improper grounding of electrical devices may result in serious personal injury or death by electric shock.

- ▶ Always use 3-wire power cables
- ▶ Make sure the ground wire is correctly connected to the ground of the building's electrical installations

WARNING

Fire hazard from the use of power cables that do not meet the national requirements of the respective country in which the product is mounted.

Improper grounding of electrical devices may result in serious personal injury or death by electric shock.

- ▶ Use only a power cable that meets at least the national requirements of the respective country in which the product is mounted

- ▶ Use a power cable that meets the requirements to connect the power connection to a 3-wire grounded power outlet

Further information: "Product overview", Page 12

Pin layout of the power connection

Further information: "R", Page 128

6 Specifications

6.1 Product specifications

Product

Housing	Die cast aluminum
Housing dimensions	DRO 10x <ul style="list-style-type: none"> ■ 285 mm x 160 mm x 46 mm DRO 203, DRO 30x <ul style="list-style-type: none"> ■ 285 mm x 180 mm x 46 mm
Fastener system, mating dimensions	VESA MIS-D, 100 100 mm x 100 mm

Display

Visual display unit	<ul style="list-style-type: none"> ■ LCD Widescreen (15:9) color screen 17.8 cm (7") ■ 800x 480 pixels
User interface	User interface (GUI) with keypad

Electrical data

Power supply	<ul style="list-style-type: none"> ■ AC 100 V ... 240 V (± 10 %) ■ 50 Hz ... 60 Hz (± 5 %) ■ Input power max. 30 W
--------------	---

Overvoltage category II

Number of encoder inputs	DRO 10x <ul style="list-style-type: none"> ■ 1, 2, or 3 DRO 203 <ul style="list-style-type: none"> ■ 3 DRO 30x <ul style="list-style-type: none"> ■ 3 or 4
Encoder interfaces	TTL: Max. current 300 mA max. input frequency 500 kHz
KT 130, IOB 610 interface	DC 5 V (± 5 %)
Data interface	USB 2.0 Hi-Speed (Type C), max. current 500 mA

Ambient conditions

Operating temperature	0 °C ... 45 °C
Storage temperature	-20 °C ... 70 °C
Relative air humidity	40 % ... 80 % r.H., non-condensing
Altitude	≤ 2000 m

General information

Directives	<ul style="list-style-type: none"> ■ EMC Directive 2014/30/EU ■ Low Voltage Directive 2014/35/EU
Pollution degree	2
Protection EN 60529	<ul style="list-style-type: none"> ■ Front panel and side panels: IP 54 ■ Rear panel: IP 40
Mass	DRO 10x <ul style="list-style-type: none"> ■ 1.5 kg ■ With Single-Pos stand: 1.6 kg ■ With Multi-Pos holder: 1.9 kg DRO 203, DRO 30x <ul style="list-style-type: none"> ■ 1.9 kg ■ With Single-Pos stand: 2.0 kg ■ With Multi-Pos holder: 2.3 kg ■ With Mounting frame: 3.3 kg

6.2 Product dimensions and mating dimensions

Further information: Page 125 and the following pages.
All dimensions in the drawings are in millimeters.

1 Grundlagen

1.1 Zu dieser Anleitung

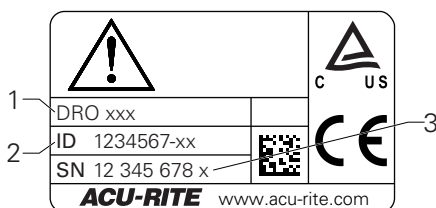
Diese Anleitung enthält alle Informationen und Sicherheitshinweise, um das Gerät sachgerecht zu montieren und zu installieren.

1.2 Informationen zum Produkt

Produktbezeichnung	Teilenummer
DRO 101 1 Achse	1197252-xx
DRO 102 2 Achsen	
DRO 103 3 Achsen	
DRO 203 3 Achsen	1197250-xx
DRO 303 3 Achsen mit Anschluss für IOB 610/KT 130	1197251-xx
DRO 304 4 Achsen mit Anschluss für IOB 610/KT 130	

Das Typenschild befindet sich auf der Rückseite des Geräts.

Beispiel:



- 1 Produktbezeichnung
- 2 Teilenummer
- 3 Index

Gültigkeit der Dokumentation

Vor Gebrauch der Dokumentation und des Geräts müssen Sie überprüfen, ob Dokumentation und Gerät übereinstimmen.

- ▶ Die in der Dokumentation angegebene Teilenummer und den Index mit den entsprechenden Daten auf dem Typenschild des Geräts vergleichen
- ▶ Wenn die Teilenummer und Indizes übereinstimmen, ist die Dokumentation gültig



Wenn die Teilenummern und Indizes nicht übereinstimmen und die Dokumentation somit nicht gültig ist, finden Sie die aktuelle Dokumentation zum Gerät unter www.acu-rite.com.

1.3 Hinweise zum Lesen der Dokumentation

Die folgende Tabelle enthält die Bestandteile der Dokumentation in der Reihenfolge ihrer Priorität beim Lesen.

! WARNUNG

Unfälle mit tödlichem Ausgang, Verletzungen oder Sachschäden bei Nichtbeachtung der Dokumentation!

Wenn Sie die Dokumentation nicht beachten, können Unfälle mit tödlichem Ausgang, Verletzungen von Personen oder Sachschäden entstehen.

- ▶ Dokumentation sorgfältig und vollständig lesen
- ▶ Dokumentation zum Nachschlagen aufbewahren

Dokumentation	Beschreibung
Addendum	Ein Addendum ergänzt oder ersetzt die entsprechenden Inhalte der Betriebsanleitung und ggf. auch der Installationsanleitung. Wenn dieses Dokument im Lieferumfang enthalten ist, muss es zuerst gelesen werden. Alle übrigen Inhalte der Dokumentation behalten ihre Gültigkeit.
Installationsanleitung	Die Installationsanleitung enthält alle Informationen und Sicherheitshinweise, um das Gerät sachgerecht zu montieren und zu installieren. Als Auszug aus der Betriebsanleitung ist sie in jeder Lieferung enthalten. Sie hat die zweithöchste Priorität beim Lesen.
Betriebsanleitung	Die Betriebsanleitung enthält alle Informationen und Sicherheitshinweise, um das Gerät sachgerecht und bestimmungsgemäß zu betreiben. Sie hat die dritthöchste Priorität beim Lesen. Die Dokumentation steht im Downloadbereich unter www.acu-rite.com zum Download zur Verfügung. Die Betriebsanleitung muss vor der Inbetriebnahme des Geräts gedruckt werden.
Dokumentation der angeschlossenen Messgeräte sowie der sonstigen Peripherie	Diese Dokumente sind nicht im Lieferumfang enthalten. Sie werden mit den entsprechenden Mess- und Peripheriegeräten geliefert.

Änderungen gewünscht oder den Fehlerteufel entdeckt?

Wir sind ständig bemüht, unsere Dokumentation für Sie zu verbessern. Helfen Sie uns dabei und teilen Sie uns bitte Ihre Änderungswünsche unter folgender E-Mail-Adresse mit:

userdoc@acu-rite.de

1.4 Aufbewahrung und Weitergabe der Dokumentation

Die Anleitung muss in unmittelbarer Nähe des Arbeitsplatzes aufbewahrt werden und dem gesamten Personal jederzeit zur Verfügung stehen. Der Betreiber muss das Personal über den Aufbewahrungsort dieser Anleitung informieren. Wenn die Anleitung unleserlich geworden ist, dann muss durch den Betreiber Ersatz beim Hersteller beschafft werden.

Bei Übergabe oder Weiterverkauf des Geräts an Dritte müssen die folgenden Dokumente an den neuen Besitzer weitergegeben werden:

- Addendum, falls mitgeliefert
- Installationsanleitung
- Betriebsanleitung

1.5 Zielgruppe der Anleitung

Die Installationsanleitung muss von jeder Person gelesen und beachtet werden, die mit einer der folgenden Arbeiten betraut ist:

- Montage
- Installation

1.6 Hinweise in dieser Dokumentation

Sicherheitshinweise

Beachten Sie alle Sicherheitshinweise in dieser Anleitung und in der Dokumentation Ihres Maschinenherstellers!

Sicherheitshinweise warnen vor Gefahren im Umgang mit dem Gerät und geben Hinweise zu deren Vermeidung.

Sicherheitshinweise kennzeichnen die Schwere der Gefahr durch Untergliederung in folgende Kategorien:

GEFAHR

Gefahr signalisiert Gefährdungen für Personen. Wenn Sie die Anleitung zum Vermeiden der Gefährdung nicht befolgen, dann führt die Gefährdung **sicher zum Tod oder schweren Körperverletzungen**.

WARNUNG

Warnung signalisiert Gefährdungen für Personen. Wenn Sie die Anleitung zum Vermeiden der Gefährdung nicht befolgen, dann führt die Gefährdung **voraussichtlich zum Tod oder schweren Körperverletzungen**.

VORSICHT

Vorsicht signalisiert Gefährdungen für Personen. Wenn Sie die Anleitung zum Vermeiden der Gefährdung nicht befolgen, dann führt die Gefährdung **voraussichtlich zu leichten Körperverletzungen**.

HINWEIS

Hinweis signalisiert Gefährdungen für Gegenstände oder Daten. Wenn Sie die Anleitung zum Vermeiden der Gefährdung nicht befolgen, dann führt die Gefährdung **voraussichtlich zu einem Sachschaden**.

Informationshinweise:

Beachten Sie die Informationshinweise in dieser Anleitung für einen fehlerfreien und effizienten Einsatz des Geräts.

Diese Anleitung enthält die folgenden Informationshinweise:



Das Informationssymbol steht für einen **Tipp**. Ein Tipp gibt wichtige zusätzliche oder ergänzende Informationen.



Das Zahnradsymbol zeigt an, dass die beschriebene Funktion **maschinenabhängig** ist, z. B.

- Ihre Maschine muss über eine bestimmte Software- oder Hardware-Option verfügen
- Das Verhalten der Funktion hängt von den konfigurierbaren Maschineneinstellungen ab



Das Buchsymbol steht für einen **Querverweis** zu externen Dokumentationen, z. B. der Dokumentation Ihres Maschinenherstellers oder eines Drittanbieters.

2 Sicherheit

2.1 Allgemeine Sicherheitsvorkehrungen

Für den Betrieb des Systems gelten die allgemein anerkannten Sicherheitsvorkehrungen wie sie insbesondere beim Umgang mit spannungsführenden Geräten erforderlich sind. Nichtbeachtung dieser Sicherheitsvorkehrungen kann Schäden am Gerät oder Verletzungen zur Folge haben.

Die Sicherheitsvorschriften können je nach Unternehmen variieren. Im Falle eines Konflikts zwischen dem Inhalt dieser Anleitung und den internen Regelungen eines Unternehmens, in dem dieses Gerät verwendet wird, gelten die strengeren Regelungen.

2.2 Bestimmungsgemäße Verwendung

Bei den Geräten der Baureihen DRO 100, DRO 200 und DRO 300 handelt es sich um hochwertige Positionsanzeigen für den Einsatz an handbedienten Werkzeugmaschinen. In Kombination mit Längen- und Winkelmessgeräten zeigen die Positionsanzeigen der Baureihen DRO 100, DRO 200 und DRO 300 die Werkzeugposition in mehreren Achsen an und bieten weitere Funktionen für den Betrieb der Werkzeugmaschine.

Die Geräte der Baureihen DRO 100, DRO 200 und DRO 300:

- sind nur für den Einsatz in gewerblichen Anwendungen und im industriellen Umfeld bestimmt
- müssen auf einen geeigneten Standfuß oder Halter montiert werden, um einen ordnungs- und bestimmungsgemäßen Betrieb des Geräts zu gewährleisten
- sind nur für die Verwendung in Innenräumen und in einer Umgebung vorgesehen, in der die Belastung durch Feuchtigkeit, Schmutz, Öl und Schmiermittel den Vorgaben in den technischen Daten entspricht



Die Geräte der Baureihen DRO 100, DRO 200 und DRO 300 unterstützen die Verwendung einer Vielzahl von Peripheriegeräten verschiedener Hersteller. HEIDENHAIN kann keine Aussagen zum Verwendungszweck dieser Geräte treffen. Die Informationen zur bestimmungsgemäßen Verwendung in den zugehörigen Dokumentationen müssen beachtet werden.

2.3 Bestimmungswidrige Verwendung

Beim Einsatz des Geräts dürfen keine Gefährdungen für Personen entstehen. Wenn solche Gefährdungen bestehen, müssen geeignete Maßnahmen durch den Betreiber getroffen werden.

Unzulässig sind insbesondere folgende Anwendungen:

- Einsatz und Lagerung außerhalb der technischen Daten
- Einsatz im Freien
- Einsatz in explosionsgefährdeten Bereichen
- Einsatz des Geräts als Bestandteil einer Sicherheitsfunktion

2.4 Qualifikation des Personals

Das Personal für Montage und Installation muss die entsprechende Qualifikation für diese Arbeiten aufweisen und sich mithilfe der Dokumentation des Geräts und der angeschlossenen Peripherie ausreichend informiert haben.

Die Personalanforderungen, die für die einzelnen Tätigkeiten am Gerät notwendig sind, sind in den entsprechenden Kapiteln dieser Anleitung angegeben.

Nachfolgend sind die Personengruppen, die mit der Montage und Installation betraut sind, hinsichtlich ihrer Qualifikationen und Aufgaben näher spezifiziert.

Fachpersonal

Das Fachpersonal wird vom Betreiber in der erweiterten Bedienung und Parametrierung ausgebildet. Das Fachpersonal ist aufgrund seiner fachlichen Ausbildung, Kenntnisse und Erfahrung sowie Kenntnis der einschlägigen Bestimmungen in der Lage, die ihm übertragenen Arbeiten hinsichtlich der jeweiligen Applikation auszuführen und mögliche Gefahren selbstständig zu erkennen und zu vermeiden.

Elektrofachkraft

Die Elektrofachkraft ist aufgrund ihrer fachlichen Ausbildung, Kenntnisse und Erfahrungen sowie Kenntnis der einschlägigen Normen und Bestimmungen in der Lage, Arbeiten an elektrischen Anlagen auszuführen und mögliche Gefahren selbstständig zu erkennen und zu vermeiden. Die Elektrofachkraft ist speziell für das Arbeitsumfeld ausgebildet, in dem sie tätig ist.

Die Elektrofachkraft muss die Bestimmungen der geltenden gesetzlichen Vorschriften zur Unfallverhütung erfüllen.

2.5 Betreiberpflichten

Der Betreiber besitzt das Gerät und die Peripherie oder hat beides gemietet. Er ist jederzeit für die bestimmungsgemäße Verwendung verantwortlich.

Der Betreiber muss:

- die verschiedenen Aufgaben am Gerät qualifiziertem, geeignetem und autorisiertem Personal zuweisen
- das Personal nachweisbar in die Befugnisse und Aufgaben unterweisen
- sämtliche Mittel zur Verfügung stellen, die das Personal benötigt, um die ihm zugewiesenen Aufgaben zu erfüllen
- sicherstellen, dass das Gerät ausschließlich in technisch einwandfreiem Zustand betrieben wird
- sicherstellen, dass das Gerät vor unbefugter Benutzung geschützt wird

2.6 Allgemeine Sicherheitshinweise



Für die Sicherheit eines Systems, in dem dieses Gerät verwendet wird, trägt der Monteur oder Installateur dieses Systems die Verantwortung.



Das Gerät unterstützt die Verwendung einer Vielzahl von Peripheriegeräten verschiedener Hersteller. HEIDENHAIN kann keine Aussagen zu den spezifischen, für diese Geräte notwendigen, Sicherheitsmaßnahmen treffen. Die Sicherheitshinweise in den entsprechenden Dokumentationen müssen beachtet werden. Falls diese nicht vorliegen, müssen sie von den Herstellern in Erfahrung gebracht werden.

Die spezifischen Sicherheitshinweise, die für die einzelnen Tätigkeiten am Gerät zu beachten sind, sind in den entsprechenden Kapiteln dieser Anleitung angegeben.

2.6.1 Symbole in der Anleitung

In diesem Handbuch werden die folgenden Sicherheitssymbole verwendet:

Symbol	Bedeutung
	Kennzeichnet Hinweise, die vor Personenschäden warnen
	Kennzeichnet elektrostatisch gefährdete Bauelemente (EGB)
	ESD-Armband zur Personenerdung

2.6.2 Symbole am Gerät

Das Gerät ist mit den folgenden Symbolen gekennzeichnet:

Symbol	Bedeutung
	Beachten Sie die Sicherheitshinweise zur Elektrik und zum Netzanschluss, bevor Sie das Gerät anschließen
	Erdungsanschluss gemäß IEC 60417 - 5017. Installationshinweise beachten.

2.6.3 Sicherheitshinweise zur Elektrik

! WARNUNG

Gefährlicher Kontakt mit spannungsführenden Teilen beim Öffnen des Geräts.

Elektrischer Schock, Verbrennungen oder der Tod können die Folge sein.

- ▶ Auf keinen Fall das Gehäuse öffnen
- ▶ Eingriffe nur vom Hersteller vornehmen lassen

! WARNUNG

Gefahr von gefährlicher Körperdurchströmung bei direktem oder indirektem Kontakt mit spannungsführenden Teilen.

Elektrischer Schock, Verbrennungen oder der Tod können die Folge sein.

- ▶ Arbeiten an der Elektrik und an spannungsführenden Bauteilen nur durch eine ausgebildete Fachkraft durchführen lassen
- ▶ Für Netzanschluss und alle Schnittstellenanschlüsse ausschließlich normgerecht gefertigte Kabel und Stecker verwenden
- ▶ Defekte elektrische Bauteile sofort über den Hersteller austauschen lassen
- ▶ Alle angeschlossenen Kabel und Anschlüsse des Geräts regelmäßig prüfen. Mängel, z.B. lose Verbindungen bzw. angeschmorte Kabel, sofort beseitigen

HINWEIS

Beschädigung innerer Gerätebauteile!

Durch das Öffnen des Geräts erlöschen die Gewährleistung und die Garantie.

- ▶ Auf keinen Fall das Gehäuse öffnen
- ▶ Eingriffe nur vom Hersteller vornehmen lassen

3 Transport und Lagerung

3.1 Überblick

Dieses Kapitel beinhaltet alle nötigen Informationen zu Transport und Lagerung sowie Lieferumfang und Zubehör des Geräts.

3.2 Gerät auspacken

- ▶ Verpackungskarton oben öffnen
- ▶ Verpackungsmaterial entfernen
- ▶ Inhalt entnehmen
- ▶ Lieferung auf Vollständigkeit prüfen
- ▶ Lieferung auf Schäden überprüfen

3.3 Lieferumfang und Zubehör

Lieferumfang

In der Lieferung sind die folgenden Artikel enthalten:

- Gerät
 - Netzkabel (1197250-0x, 1197251-0x, 1197252-0x)
 - Installationsanleitung
 - Addendum (optional)
- Weitere Informationen:** "Hinweise zum Lesen der Dokumentation", Seite 15

Zubehör

Die folgenden Artikel sind optional erhältlich und können bei HEIDENHAIN zusätzlich als Zubehör bestellt werden:

Zubehör	Teilenummer
Standfuß Single-Pos Zur starren Montage, Neigungswinkel 20°	1197273-01
Halter Multi-Pos Zur Befestigung auf einem Montagearm, stufenlos dreh- und kippbar	1197273-02
Einbaurahmen Zum Einbau in ein Bedienpanel. Nur kompatibel mit Geräten der Baureihen DRO 203 und DRO 30x.	1197274-01
Schutzhülle Zum Schutz vor Schmutz und Schutt	1197275-01
Kantentaster KT 130 Zum Antasten eines Werkstücks (Erstellen von Bezugspunkten). Nur kompatibel mit Geräten der Baureihe DRO 30x.	283273-xx
IOB 610 Für Schaltein-/ausgangsfunktionen. Nur kompatibel mit Geräten der Baureihe DRO 30x.	1197271-01

3.4 Wenn ein Transportschaden vorliegt

- ▶ Schaden vom Spediteur bestätigen lassen
- ▶ Verpackungsmaterialien zur Untersuchung aufbewahren
- ▶ Absender über den Schaden benachrichtigen
- ▶ Händler oder Gerätehersteller bezüglich Ersatzteilen kontaktieren

i Bei einem Transportschaden:

- ▶ Verpackungsmaterialien zur Untersuchung aufbewahren
- ▶ HEIDENHAIN oder Maschinenhersteller kontaktieren

Dies gilt auch für Transportschäden an Ersatzteilanforderungen.

3.5 Wiederverpackung und Lagerung

Verpacken und lagern Sie das Gerät umsichtig und entsprechend den hier genannten Bedingungen.

Gerät verpacken

Die Wiederverpackung sollte der Originalverpackung so gut wie möglich entsprechen.

- ▶ Alle Anbauteile und Staubschutzkappen am Gerät so anbringen oder wieder so verpacken, wie sie ursprünglich geliefert wurden
- ▶ Das Gerät so verpacken, dass es vor Stößen und Vibration während des Transports geschützt ist
- ▶ Das Gerät so verpacken, dass kein Staub und keine Feuchtigkeit eindringen können
- ▶ Alle mitgelieferten Zubehöerteile in die Originalverpackung legen

Weitere Informationen: "Lieferumfang und Zubehör", Seite 19

- ▶ Addendum (sofern mitgeliefert), Installationsanleitung und Betriebsanleitung beilegen

Weitere Informationen: "Aufbewahrung und Weitergabe der Dokumentation", Seite 16

i Bei Reparaturrücksendungen des Geräts an den Kundendienst:

- ▶ Das Gerät ohne Zubehör, ohne Messgeräte und ohne Peripheriegeräte verschicken

Gerät lagern

- ▶ Gerät wie oben beschrieben verpacken
- ▶ Bestimmungen für die Umgebungsbedingungen beachten
- ▶ Gerät nach jedem Transport oder nach längerer Lagerung auf Beschädigungen prüfen

4 Montage

4.1 Überblick

Dieses Kapitel enthält alle nötigen Informationen für die Montage des Geräts.



Die nachfolgenden Schritte dürfen nur von Fachpersonal durchgeführt werden.

Weitere Informationen: "Qualifikation des Personals", Seite 17

4.2 Montage

Allgemeine Montagehinweise

Die Aufnahme für die Montagevarianten befindet sich an der Gerätrückseite. Der Anschluss ist kompatibel zum VESA-Standard 100 mm x 100 mm.

DRO 10x: **Weitere Informationen:** "G", Seite 125

DRO 203, DRO 30x: **Weitere Informationen:** "K", Seite 126

Das Material zur Befestigung der Montagevarianten am Gerät ist im Lieferumfang enthalten.

Weiterhin werden benötigt:

- Schraubendreher Torx T20
- Inbus-Schlüssel 2,5 mm
- Steckschlüssel 7 mm
- Material zur Befestigung auf der Standfläche



Für die ordnungs- und bestimmungsgemäße Verwendung des Geräts muss das Gerät auf einen Standfuß oder Halter montiert sein.

Verlegung der Kabel



In den Abbildungen des Standfußes und des Halters finden Sie Vorschläge, wie Sie nach der Montage eines Standfußes oder Halters die Kabel verlegen können.

Standfuß Single-Pos: **Weitere Informationen:** "C", Seite 4

Halter Multi-Pos: **Weitere Informationen:** "D", Seite 4

Montagerahmen: **Weitere Informationen:** "E", Seite 4

Bei Montage mit Standfuß:

- ▶ Kabel zusammenführen
- ▶ Kabel zusammen von hinten durch die Öffnung im Standfuß führen
- ▶ Kabel seitlich zu den Anschlüssen führen

Bei Montage mit Halter:

- ▶ Kabel zusammenführen
- ▶ Kabel seitlich zu den Anschlüssen führen
- ▶ Kabel mit Kabelbindern am Montagearm befestigen

4.2.1 Montage mit Standfuß Single-Pos

Mit dem Standfuß Single-Pos kann das Gerät auf einer Fläche mit einem Neigungswinkel von 20° aufgestellt oder mit einer Fläche verschraubt werden.

Standfuß an den oberen VESA 100-Gewindebohrungen auf der Gerätrückseite befestigen

- ▶ Mit einem Torx T20 Schraubendreher die mitgelieferten Senkkopfschrauben M4 x 8 ISO 14581 befestigen
- ▶ Zulässiges Anzugsmoment von 2,6 Nm beachten

Gerät gegen Wegrutschen während der Bedienung sichern

- ▶ Mitgelieferte selbstklebende Gummiauflagen auf die Unterseite des Geräts montieren
- ▶ Wenn Sie das Gerät nicht mit einer Fläche verschrauben: selbstklebende Gummiauflagen auf die Unterseite des Standfußes montieren



Montieren Sie die Gummiauflagen nur auf den Standfuß, wenn Sie das Gerät nicht mit einer Fläche verschrauben.

Weitere Informationen: "C", Seite 4

Abmessungen Standfuß Single-Pos

DRO 10x: **Weitere Informationen:** "H", Seite 125

DRO 203, DRO 30x: **Weitere Informationen:** "L", Seite 127

4.2.2 Montage auf Halter Multi-Pos

Halter an den unteren VESA 100-Gewindebohrungen auf der Gerätrückseite befestigen

- ▶ Mit einem Torx T20 Schraubendreher die mitgelieferten Senkkopfschrauben M4 x 10 ISO 14581 (schwarz) befestigen
- ▶ Zulässiges Anzugsmoment von 2,5 Nm beachten

Der Halter lässt sich nach Bedarf so kippen und drehen, dass die Anzeige angenehm abgelesen werden kann.

Weitere Informationen: "D", Seite 4

Abmessungen Halter Multi-Pos

DRO 10x: **Weitere Informationen:** "I", Seite 126

DRO 203, DRO 30x: **Weitere Informationen:** "M", Seite 127

4.2.3 Montage in Einbaurahmen



Der Einbaurahmen ist nur mit Geräten der Baureihen DRO 203 und DRO 30x kompatibel.

Mit dem Einbaurahmen kann das Gerät in ein Bedienpanel montiert werden.

Rückplatte des Einbaurahmens an den VESA 100-Gewindebohrungen auf der Geräterückseite befestigen

- ▶ Mit einem 2,5 mm Inbus-Schlüssel die mitgelieferten Schrauben M4 x 6 ISO 7380 festziehen
- ▶ Zulässiges Anzugsmoment von 2,6 Nm beachten

Rückplatte mitsamt Gerät an der Frontplatte des Rahmens befestigen

- ▶ Mit einem 7 mm Steckschlüssel die mitgelieferten Schraubenmutter M4 ISO 10511 festziehen
- ▶ Zulässiges Anzugsmoment von 3,5 Nm beachten

Einbaurahmen und Positionsanzeige im Panel befestigen

- ▶ Informationen zu Montage und Bedienpanel-Ausschnitt finden Sie in der mit dem Einbaurahmen gelieferten Montageanleitung.

Weitere Informationen: "E", Seite 4

Abmessungen des Einbaurahmens

Weitere Informationen: "N", Seite 127

4.2.4 Schutzhülle anbringen

Die Schutzhülle schützt das Gerät vor Schmutz und Schutt

Schutzhülle auf dem Gerät platzieren

- ▶ Schutzhülle über das Gerät legen
- ▶ Von vorne auf das Gerät schauend Schutzhülle und Gerät rechts ausrichten

Schutzhülle auf dem Gerät befestigen

- ▶ Schutzfolie von den Klebstreifen abziehen
- ▶ Klebstreifen zum Gerät hin falten
- ▶ Klebstreifen gegen das Gerät drücken, sodass diese am Gerät haften bleiben

5 Installation

5.1 Überblick

Dieses Kapitel enthält alle nötigen Informationen für die Installation des Geräts.



Die nachfolgenden Schritte dürfen nur von Fachpersonal durchgeführt werden.

Weitere Informationen: "Qualifikation des Personals", Seite 17

5.2 Allgemeine Informationen

HINWEIS

Herstellen und Lösen von Steckverbindungen!

Gefahr der Beschädigung von internen Bauteilen.

- ▶ Steckverbindungen nur bei ausgeschaltetem Gerät herstellen oder lösen!

HINWEIS

Elektrostatische Entladung (ESD)!

Dieses Gerät enthält elektrostatisch gefährdete Bauteile, die durch elektrostatische Entladung (ESD) zerstört werden können.

- ▶ Sicherheitsvorkehrungen für die Handhabung ESD-empfindlicher Bauteile unbedingt beachten
- ▶ Anschlussstifte niemals ohne ordnungsgemäße Erdung berühren
- ▶ Bei Arbeiten an den Geräteanschlüssen geerdetes ESD-Armband tragen

HINWEIS

Falsche Pinbelegung!

Gerätestörungen oder -defekte können die Folge sein.

- ▶ Ausschließlich verwendete Pins oder Litzen belegen

5.3 Produktübersicht

Die Anschlüsse auf der Geräterückseite sind durch Staubschutzkappen vor Verschmutzung und Beschädigung geschützt.

HINWEIS

Verschmutzung oder Beschädigung durch fehlende Staubschutzkappen!

Anschlusskontakte können in ihrer Funktion beeinträchtigt oder zerstört werden.

- ▶ Staubschutzkappen nur entfernen, wenn Mess- oder Peripheriegeräte angeschlossen werden
- ▶ Wenn ein Mess- oder Peripheriegerät entfernt wird, Staubschutzkappe wieder auf den Anschluss aufsetzen



Art und Anzahl der Anschlüsse können je nach Geräte-Ausführung unterschiedlich sein.

Geräterückseite ohne Staubschutzkappen

DRO 10x: **Weitere Informationen:** "A", Seite 3

DRO 203, DRO 30x: **Weitere Informationen:** "B", Seite 3

Rückseite

- 1 Netzschalter und Netzanschluss
- 2 Erdungsanschluss gemäß IEC 60471 - 5017
- 3 **X31:** USB 2.0 Hi-Speed-Anschluss (Typ C) für USB-Massenspeicher und PC-Anschluss (unter der Schutzabdeckung)
- 4 **X1 bis X4:** Gerätevariante mit 9-poligen Sub-D-Anschlüssen für Messgeräte mit TTL-Schnittstelle
- 5 **X10:** 15-poliger Sub-D-Anschluss für Messgeräte und Zusatzgeräte (z. B. HEIDENHAIN-Tastensystem, IOB). Nur bei Geräten der Baureihe DRO 30x.

5.4 Messgeräte anschließen

- ▶ Staubschutzkappen abnehmen und aufbewahren
- ▶ Kabel je nach Montagevariante verlegen

Weitere Informationen: "Montage", Seite 20

- ▶ Gerätekabel fest an den entsprechenden Anschlüssen anschließen

Weitere Informationen: "Produktübersicht", Seite 22

- ▶ Bei Steckern mit Schrauben: Schrauben nicht zu fest anziehen

Anschlussbelegung X1 bis X4

Weitere Informationen: "O", Seite 128

5.5 USB-Speicher anschließen

- ▶ Staubschutzkappe öffnen
- ▶ USB-Speicher oder -Kabel mit dem entsprechenden Anschluss verbinden

Weitere Informationen: "Produktübersicht", Seite 22

Anschlussbelegung X31

Weitere Informationen: "P", Seite 128

5.6 Tastsystem anschließen



An die Geräte der Baureihe DRO 30x kann folgendes Tastsystem angeschlossen werden:

- HEIDENHAIN Kantentaster KT 130

Weitere Informationen: "Zubehör", Seite 19

- ▶ Staubschutzkappen abnehmen und aufbewahren
- ▶ Kabel je nach Montagevariante verlegen

Weitere Informationen: "Montage", Seite 20

- ▶ Das Tastsystem fest am Anschluss X10 anschließen

Weitere Informationen: "Produktübersicht", Seite 22

- ▶ Bei Steckern mit Schrauben: Schrauben nicht zu fest anziehen

Anschlussbelegung X10

Weitere Informationen: "Q", Seite 128

5.7 Netzspannung anschließen

WARNUNG

Stromschlaggefahr!

Nicht ordnungsgemäß geerdete Geräte können zu ernsthaften Verletzungen oder Tod durch Stromschlag führen.

- ▶ Grundsätzlich 3-poliges Netzkabel verwenden
- ▶ Korrekten Schutzleiteranschluss an die Gebäudeinstallation sicherstellen.

WARNUNG

Brandgefahr durch Verwendung von Netzkabeln, die die nationalen Anforderungen des Aufstellorts nicht erfüllen.

Nicht ordnungsgemäß geerdete Geräte können zu ernsthaften Verletzungen oder Tod durch Stromschlag führen.

- ▶ Nur ein Netzkabel verwenden, das mindestens die nationalen Anforderungen des Aufstellorts erfüllt.

- ▶ Netzanschluss mit einem Netzkabel, das den Anforderungen entspricht, an Netzsteckdose mit Schutzleiter anschließen

Weitere Informationen: "Produktübersicht", Seite 22

Anschlussbelegung des Netzanschlusses

Weitere Informationen: "R", Seite 128

6 Technische Daten

6.1 Technische Daten des Geräts

Gerät

Gehäuse	Aluminium-Druckguss
Gehäuse- abmessungen	DRO 10x <ul style="list-style-type: none"> ■ 285 mm x 160 mm x 45 mm DRO 203, DRO 30x <ul style="list-style-type: none"> ■ 285 mm x 180 mm x 50 mm
Befestigungssys- tem, Anschlussma- ße	VEESA MIS-D, 100 100 mm x 100 mm

Anzeige

Bildschirm	<ul style="list-style-type: none"> ■ LCD-Breitbildmonitor (15:9) Farbbildschirm 17,8 cm (7 Zoll) ■ 800 x 480 Pixel
Benutzer-Oberfläche	Benutzer-Oberfläche (GUI) mit Bedienfeld

Elektrische Daten

Spannungsversor- gung	<ul style="list-style-type: none"> ■ AC 100 V ... 240 V (± 10 %) ■ 50 Hz ... 60 Hz (± 5 %) ■ Eingangsleistung max. 54 W
Überspannungskate- gorie	II
Anzahl der Messge- räteeingänge	DRO 10x <ul style="list-style-type: none"> ■ 1, 2 oder 3 DRO 203 <ul style="list-style-type: none"> ■ 3 DRO 30x <ul style="list-style-type: none"> ■ 3 oder 4
Messgeräteschnitt- stellen	TTL: Maximalstrom 300 mA max. Eingangsfrequenz 500 kHz
Schnittstelle für KT 130, IOB 610	DC 5 V (± 5 %)
Datenschnittstelle	USB 2.0 Hi-Speed (Typ C), Maximalstrom 500 mA

Umgebungsbedingungen

Arbeits- temperatur	0 °C ... 45 °C
Lager- temperatur	-20 °C ... 70 °C
Relative Luftfeuchtigkeit	40 % ... 80 % r.H., nicht kondensie- rend
Höhe	≤ 2000 m

Allgemeine Informationen

Richtlinien	<ul style="list-style-type: none"> ■ EMV-Richtlinie 2014/30/EU ■ Niederspannungsrichtlinie 2014/35/EU
Verschmutzungs- grad	2
Schutzart EN 60529	<ul style="list-style-type: none"> ■ Front und Seiten: IP 54 ■ Rückseite: IP 40
Masse	DRO 10x <ul style="list-style-type: none"> ■ 1,5 kg ■ Mit Standfuß Single-Pos: 1,6 kg ■ Mit Halter Multi-Pos: 1,9 kg DRO 203, DRO 30x <ul style="list-style-type: none"> ■ 1,9 kg ■ Mit Standfuß Single-Pos: 2,0 kg ■ Mit Halter Multi-Pos: 2,3 kg ■ Mit Einbaurahmen: 3,3 kg

6.2 Geräteabmessungen und Anschlussmaße

Weitere Informationen: Seite 125 und folgende Seiten.

Alle Abmessungen in den Zeichnungen sind in Millimetern angegeben.

1 Principes fondamentaux

1.1 À propos de ce guide

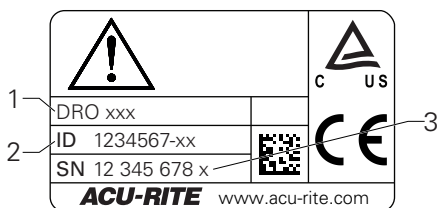
Ce guide fournit toutes les informations et toutes les mesures de sécurité dont vous avez besoin pour monter et installer correctement le produit.

1.2 Informations sur le produit

Désignation du produit	Numéro de série
DRO 101 1 axe	1197252-xx
DRO 102 2 axes	
DRO 103 3 axes	
DRO 203 3 axes	1197250-xx
DRO 303 3 axes avec connecteur IOB 610/KT 130	1197251-xx
DRO 304 4 axes avec connecteur IOB 610/KT 130	

L'étiquette signalétique se trouve au dos du produit.

Exemple :



- 1 Désignation du produit
- 2 Numéro de série
- 3 Indice

Validité de la documentation

Avant d'utiliser la documentation avec le produit, vous devez vérifier que la documentation concorde bien avec le produit.

- ▶ Comparer le numéro de série et l'indice indiqués dans la documentation avec les données correspondantes qui figurent sur l'étiquette signalétique du produit.
- Si les numéros de série et les indices concordent, c'est que la documentation est la bonne.



Si les numéros de série et les indices ne concordent pas, c'est que la documentation n'est pas valide. Vous trouverez la documentation actuelle du produit sous www.acu-rite.com.

1.3 Comment lire la documentation

Le tableau ci-après dresse la liste des documents qui composent la documentation, dans l'ordre de priorité de lecture.

⚠ AVERTISSEMENT

Accidents graves, blessures corporelles ou dégâts matériels dus au non-respect de la documentation !

Le non-respect de la documentation peut entraîner des accidents graves, des blessures corporelles ou des dégâts matériels.

- ▶ Lire la documentation attentivement, du début jusqu'à la fin
- ▶ Conserver la documentation pour de plus amples informations

Documentation	Description
Addendum	Un addendum complète ou remplace certaines parties du guide d'utilisation et, le cas échéant, du guide d'installation. Si ce document est inclus dans la livraison, vous devez le lire en premier avant toute utilisation du produit. Tous les autres contenus de la documentation conservent leur validité.
Guide d'installation	Le guide d'installation contient toutes les informations et toutes les mesures de sécurité dont vous avez besoin pour monter et installer le produit correctement. Il est extrait du guide d'utilisation et est inclus dans chaque livraison. Ce document arrive en deuxième position de priorité de lecture.
Guide d'utilisation	Le guide d'utilisation contient toutes les informations et toutes les mesures de sécurité dont vous avez besoin pour faire fonctionner le produit correctement. Ce document arrive troisième position de priorité de lecture. Cette documentation peut être téléchargée depuis la zone de téléchargement sous www.acu-rite.com . Il faut imprimer le guide d'utilisation avant de mettre le produit en service.
Documentation portant sur les systèmes de mesure et les appareils périphériques raccordés	Ces documents ne sont pas compris dans la livraison. Ils sont joints aux systèmes de mesure et aux appareils périphériques respectifs.

Modification souhaitée ou découverte d'une "coquille" ?

Nous nous efforçons sans cesse d'améliorer notre documentation. Veuillez nous aider en nous faisant part de vos suggestions à l'adresse e-mail suivante :

userdoc@acu-rite.de

1.4 Conservation et diffusion de la documentation

Les guides doivent être à proximité immédiate du lieu de travail et être à la disposition du personnel à tout moment. La société exploitante doit informer son personnel du lieu où sont conservés ces guides. Si un guide est devenu illisible, la société exploitante est tenue de le remplacer en se procurant un nouvel exemplaire auprès du fabricant.

Si le produit est remis ou revendu à un tiers, les documents ci-après doivent être remis au nouveau propriétaire :

- l'addendum, le cas échéant
- le guide d'installation
- le guide d'utilisation

1.5 Groupe-cible du guide d'installation

Le guide d'installation doit être lu et respecté par toutes les personnes en charge de l'une des tâches suivantes :

- le montage
- l'installation

1.6 Notes figurant dans cette documentation

Mesures de sécurité

Respecter toutes les mesures de sécurité indiquées dans le présent guide et dans la documentation du constructeur de la machine-outil !

Les consignes de sécurité mettent en garde l'utilisateur contre les risques liés à l'utilisation du produit, et indiquent comment les éviter. Les consignes de sécurité sont classées par catégorie en fonction du degré de gravité du danger :

DANGER

Danger signale un risque pour les personnes. Si vous n'observez pas les mesures de prévention, le risque **entraînera des blessures graves voire mortelles.**

AVERTISSEMENT

Avertissement signale un risque pour les personnes. Si vous n'observez pas les mesures de prévention, le risque **pourrait entraîner des blessures graves voire mortelles.**

ATTENTION

Attention signale un risque pour les personnes. Si vous n'observez pas les mesures de prévention, le risque **pourrait entraîner des blessures mineures voire légères.**

REMARQUE

Note signale un danger pour le matériel ou les données. Si vous n'observez pas les mesures de prévention, le risque **pourrait entraîner autre chose que des blessures corporelles, par exemple par des dégâts matériels.**

Notes d'information

Respecter les notes d'information indiquées dans ce guide pour garantir un fonctionnement fiable et efficace produit. Dans ce guide, vous trouverez les notes d'information suivantes :



Le symbole d'information indique une **astuce**. Une astuce fournit une information complémentaire ou supplémentaire d'ordre essentiel.



Le symbole correspondant à une roue dentée indique que la fonction décrite **dépend de la machine**, par exemple.

- Votre machine doit être dotée d'une certaine option de logiciel ou de matériel.
- Le comportement de la fonction dépend des paramètres configurables de la machine.



Le symbole correspondant à un livre indique une **référence croisée** à une documentation externe, par exemple la documentation du constructeur de votre machine ou d'un autre fournisseur.

2 Sécurité

2.1 Mesures de sécurité d'ordre général

Lorsque le système est en service, il est impératif d'observer les mesures de sécurité généralement reconnues, notamment celles qui portent sur la manipulation de l'équipement électrique sous tension. Un non respect de ces mesures de sécurité peut entraîner des blessures corporelles ou des dégâts sur le produit.

Il est entendu que les règles de sécurité peuvent varier d'une entreprise à l'autre. En cas de conflit entre le contenu des présentes instructions et les règles de sécurité de l'entreprise, ce sont les règles les plus strictes qui prévalent.

2.2 Utilisation conforme à la destination

Produits de pointe, les visualisations de cotes numériques des séries DRO 100, DRO 200 et DRO 300 s'utilisent sur des machines-outils qui fonctionnent en manuel. En combinaison avec des systèmes de mesure linéaire et angulaire, les visualisations numériques des séries DRO 100, DRO 200 et DRO 300 affichent la position de l'outil dans plusieurs axes et assurent d'autres fonctions permettant d'exploiter la machine-outil.

Les produits des séries DRO 100, DRO 200 et DRO 300 :

- doivent être uniquement utilisés dans le cadre d'applications commerciales et dans un environnement industriel
- doivent être montés sur un pied ou un support adapté afin de fonctionner correctement, selon leur finalité
- sont destinés à un usage intérieur, dans un environnement dont l'état de pollution dû à la présence d'humidité, de saletés, d'huiles et de lubrifiants répond aux exigences des spécifications



Les produits des séries DRO 100, DRO 200 et DRO 300 peuvent être utilisés avec une grande variété d'appareils périphériques de fabricants différents. HEIDENHAIN ne peut pas se prononcer sur l'utilisation conforme de ces appareils. Il est impératif de respecter les termes de l'information sur leur utilisation conforme. Cette information est jointe aux documents connexes.

2.3 Utilisation non conforme à la destination

Pendant le fonctionnement du produit, il faut exclure les dangers qui constituent une menace pour les personnes. En cas de danger, la société exploitante est tenue de prendre des mesures appropriées.

Les applications suivantes sont notamment interdites :

- utilisation et stockage non conformes aux spécifications
- utilisation extérieure
- utilisation dans un environnement potentiellement explosif
- utilisation du produit en tant que composant d'une fonction de sécurité

2.4 Qualification du personnel

Le personnel en charge du montage et de l'installation doit être qualifié pour effectuer ces tâches et doit avoir pris connaissance de la documentation fournie avec le produit et les périphériques raccordés.

Le personnel requis pour effectuer les différentes opérations sur le produit est précisé dans les chapitres respectifs de ce guide.

Les groupes de personnes responsables du montage et de l'installation ont différentes qualifications et différentes tâches qui, dans les deux cas, sont spécifiées ci-après.

Personnel qualifié

Le personnel qualifié est formé par la société exploitante pour faire fonctionner et paramétrer un produit de pointe. Le personnel qualifié fait preuve de la formation technique, des connaissances et de l'expérience requises et connaît la réglementation en vigueur de manière à pouvoir s'acquitter de la tâche qui lui incombe en tenant compte de l'application et de manière à identifier et prévenir les risques potentiels.

Spécialiste en électricité

Le spécialiste en électricité fait preuve de la formation technique, des connaissances et de l'expérience requises et connaît la réglementation et les normes en vigueur de manière à pouvoir travailler sur des systèmes électriques et de manière à identifier et prévenir les risques potentiels. Les spécialistes en électricité sont été spécialement formés pour l'environnement dans lequel ils travaillent.

Les spécialistes en électricité doivent respecter les dispositions de la réglementation légale sur la prévention des accidents.

2.5 Obligations de la société exploitante

La société exploitante possède ou loue le produit et les périphériques. Il lui incombe la responsabilité de garantir que le produit est utilisé à tout moment conformément à sa destination.

La société exploitante doit :

- affecter les différentes tâches à effectuer sur le produit à du personnel compétent, qualifié et habilité
- former son personnel, en en apportant la preuve, pour que celui-ci soit en mesure d'effectuer les tâches qui lui incombent
- fournir tout le matériel et tous les moyens nécessaires au personnel pour s'acquitter des tâches qui lui ont été assignées
- s'assurer que le produit est en parfait état technique avant de le faire fonctionner
- vérifier que le produit est protégé contre toute utilisation non autorisée

2.6 Mesures de sécurité d'ordre général



La sécurité du système dans lequel le produit est utilisé relève de la responsabilité du monteur ou de l'installateur de ce système.



Le produit peut être utilisé avec une grande variété d'appareils périphériques de fabricants différents. HEIDENHAIN ne peut se prononcer sur les mesures de sécurité spécifiques qui s'appliquent à ces appareils. Il est impératif de respecter les consignes de sécurité mentionnées dans la documentation concernée. Si vous ne disposez pas de ladite documentation, vous devez vous la procurer auprès du ou des fabricant(s) concerné(s).

Les mesures de sécurité spécifiques dont il faut tenir compte obligatoirement pour effectuer les différentes tâches sur le produit sont précisées dans les chapitres respectifs de ce guide.

2.6.1 Symboles figurant dans le guide

Les symboles de sécurité suivants sont utilisés dans ce guide :

Symbole	Signification
	identifie les informations qui mettent en garde contre des blessures corporelles
	identifie les appareils sensibles aux charges électrostatiques (ESD)
	bracelet ESD garantissant la mise à la terre du corps humain

2.6.2 Symboles figurant sur le produit

Les symboles suivants sont utilisés pour identifier le produit :

Symbole	Signification
	Avant de brancher le produit, respecter les mesures de sécurité en matière d'électricité et de raccordement au secteur
	Borne de mise à la terre conforme à la norme IEC 60417 - 5017 Observer les informations relatives à l'installation

2.6.3 Mesures de sécurité électrique

AVERTISSEMENT

Risque de contact avec les pièces sous tension lors de l'ouverture du produit.

Cela peut occasionner une décharge électrique, une brûlure voire la mort.

- ▶ Ne jamais ouvrir le boîtier
- ▶ Seul le fabricant est autorisé à accéder à l'intérieur du produit.

AVERTISSEMENT

Une quantité dangereuse d'électricité risque de circuler dans le corps humain sous l'effet d'un contact direct ou indirect avec des pièces sous tension.

Cela peut occasionner une décharge électrique, une brûlure voire la mort.

- ▶ Seuls des spécialistes en électricité sont habilités à travailler sur le système électrique ou les composants sous tension.
- ▶ Pour le raccordement au secteur et toutes les connexions d'interface, utiliser exclusivement des câbles et des connecteurs conformes aux normes en vigueur
- ▶ Faire en sorte que le fabricant change immédiatement les composants électriques défectueux
- ▶ Vérifier régulièrement tous les câbles raccordés et tous les connecteurs situés sur le produit. Remédier immédiatement aux défauts, tels que les connexions lâches ou les câbles rouillés

REMARQUE

Endommagement des composants internes du produit !

L'ouverture du produit rend toute forme de garantie caduque.

- ▶ Ne jamais ouvrir le boîtier
- ▶ Seul le fabricant du produit est autorisé à accéder à l'intérieur du produit.

3 Transport et stockage

3.1 Vue d'ensemble

Ce chapitre contient toutes les informations nécessaires au transport et au stockage du produit et donne un aperçu des articles livrés et des accessoires disponibles.

3.2 Déballage

- ▶ Ouvrir le couvercle de la boîte
- ▶ Enlever les matériaux d'emballage
- ▶ Déballer le contenu
- ▶ Vérifier que le contenu de la livraison est complet
- ▶ Vérifier que le contenu de la livraison n'est pas endommagé

3.3 Contenu de la livraison et accessoires

Contenu de la livraison

La livraison contient les articles suivants :

- le produit
- le câble secteur (1197250-0x, 1197251-0x, 1197252-0x)
- un guide d'installation
- un addendum (optionnel)

Informations complémentaires: "Comment lire la documentation", Page 25

Accessoires

Les articles suivants sont disponibles en option et peuvent être commandés auprès de HEIDENHAIN en tant qu'accessoires complémentaires.

Accessoires	Numéro de série
Pied fixe Single-Pos pour monter l'appareil dans une position fixe, selon un angle d'inclinaison de 20°	1197273-01
Support Multi-Pos pour monter l'appareil sur un bras, inclinable et pivotant en continu	1197273-02
Cadre de montage pour monter l'appareil sur un panneau. Compatible uniquement avec les produits DRO 203 et DRO 30x	1197274-01
Cache pour protéger l'appareil des saletés et des débris	1197275-01
Palpeur d'arêtes KT 130 pour palper une pièce (pour définir les points de référence). Compatible uniquement avec les produits DRO 30x	283273-xx
IOB 610 pour commuter les fonctions d'entrée et de sortie. Compatible uniquement avec les produits DRO 30x	1197271-01

3.4 En cas d'avarie de transport

- ▶ Demander au transporteur de faire un constat de l'avarie
- ▶ Conserver les matériaux d'emballage pour les besoins de l'enquête
- ▶ Aviser l'expéditeur du dommage
- ▶ Contacter le distributeur ou le constructeur de la machine pour faire remplacer les pièces



En cas d'avarie de transport :

- ▶ Conserver les matériaux d'emballage pour les besoins de l'enquête
- ▶ Contacter HEIDENHAIN ou le constructeur de la machine

Ceci vaut également en cas d'avarie survenue sur des pièces de rechange pendant le transport.

3.5 Reconditionnement et stockage

Reconditionner et stocker le produit avec précaution, en tenant compte des conditions mentionnées ci-après

Reconditionnement

Reconditionner le produit de sorte que son emballage corresponde le plus possible à l'emballage d'origine

- ▶ Fixer toutes les pièces de montage et tous les caches anti-poussière sur le produit ou remballer les conformément à leur emballage d'origine
- ▶ Remballer le produit de sorte qu'il soit à l'abri des chocs et des vibrations pendant le transfert
- ▶ Remballer le produit de sorte que l'humidité et la poussière ne puissent pas pénétrer dans l'emballage
- ▶ Placer tous les accessoires qui étaient inclus dans l'emballage d'origine à la livraison

Informations complémentaires: "Contenu de la livraison et accessoires", Page 29

- ▶ Ajouter l'addendum (s'il était joint aux articles livrés), le guide d'installation et le guide d'utilisation

Informations complémentaires: "Conservation et diffusion de la documentation", Page 26



Si vous retournez le produit à votre service après-vente pour le faire réparer :

- ▶ Expédier le produit sans les accessoires, sans les systèmes de mesure et sans les périphériques

Stockage du produit

- ▶ Emballer le produit comme décrit ci-avant
- ▶ Observer les conditions ambiantes spécifiées
- ▶ Vérifier que le produit n'a pas été endommagé après chaque transport ou après un stockage de longue durée

4 Montage

4.1 Vue d'ensemble

Ce chapitre contient toutes les informations nécessaires au montage du produit.



Seul un personnel qualifié est habilité à réaliser les étapes suivantes :

Informations complémentaires: "Qualification du personnel", Page 27

4.2 Assemblage

Informations de montage d'ordre général

Le système de fixation adapté aux variantes de montage est prévu au dos de l'appareil. L'agencement des trous est conforme à la norme VESA 100 mm x 100 mm.

DRO 10x : **Informations complémentaires:** "G", Page 125

DRO 203, DRO 30x : **Informations complémentaires:** "K", Page 126

Le matériel de fixation correspondant à la variante de montage est fourni avec l'appareil.

Il vous faut également :

- un tournevis Torx T20
- une clé allen 2,5 mm
- une clé à douille 7 mm
- du matériel de montage sur la surface de fixation



Le produit doit être monté sur un pied ou un support de manière à fonctionner correctement, conformément à sa destination.

Acheminement des câbles



Dans les figures illustrant le pied et le support de montage, vous trouverez des suggestions pour faire passer les câbles une fois le montage terminé.

Pied fixe Single-Pos : **Informations complémentaires:** "C", Page 4

Support Multi-Pos : **Informations complémentaires:** "D", Page 4

Cadre de montage : **Informations complémentaires:** "E", Page 4

Si le produit est monté sur un pied :

- ▶ Rassembler les câbles
- ▶ Faire passer l'ensemble des câbles dans l'ouverture du pied, en partant de l'arrière
- ▶ Faire passer les câbles sur le côté, en direction des connecteurs

Si le produit est monté sur un support :

- ▶ Rassembler les câbles
- ▶ Faire passer les câbles sur le côté, en direction des connecteurs
- ▶ Fixer les câbles au bras à l'aide des serre-câbles

4.2.1 Montage sur un pied fixe Single-Pos

Le pied fixe vous permet de placer le produit sur une surface selon un angle d'inclinaison de 20° ou de le visser sur une surface.

Monter le pied dans les trous taraudés VESA 100 qui sont prévus en haut au dos du produit

- ▶ Utiliser un tournevis Torx T20 pour serrer les vis à tête fraisée M4 x 8 ISO 14581 qui sont incluses dans la livraison
- ▶ Respecter le couple de serrage autorisé de 2,6 Nm

Sécuriser le produit pour éviter qu'il ne bouge pendant le service

- ▶ Fixer sous le produit les coussinets auto-adhésifs en caoutchouc qui sont inclus dans la livraison
- ▶ Si vous ne vissez pas le produit sur une surface, fixez les coussinets auto-adhésifs en caoutchouc sous le pied.



Ne fixez les coussinets en caoutchouc sous le pied que si vous ne vissez pas le produit sur une surface.

Informations complémentaires: "C", Page 4

Dimensions du pied fixe Single-Pos

DRO 10x : **Informations complémentaires:** "H", Page 125

DRO 203, DRO 30x : **Informations complémentaires:** "L", Page 127

4.2.2 Montage sur un support Multi-Pos

Monter le support dans les trous taraudés VESA 100 qui sont prévus en bas au dos du produit

- ▶ Utiliser un tournevis Torx T20 pour serrer les vis à tête fraisée M4 x 10 ISO 14581 (de couleur noire) qui sont incluses dans la livraison
- ▶ Respecter le couple de serrage autorisé de 2,5 Nm

Vous pouvez faire basculer et pivoter le support selon un angle qui vous garantira une parfaite visibilité de la visualisation de cotes.

Informations complémentaires: "D", Page 4

Dimensions du support Multi-Pos

DRO 10x : **Informations complémentaires:** "I", Page 126

DRO 203, DRO 30x : **Informations complémentaires:** "M", Page 127

4.2.3 Montage sur un cadre de montage



Le cadre de montage est compatible uniquement avec les produits DRO 203 et DRO 30x.

Le cadre de montage vous permet de monter le produit dans un panneau.

Monter la plaque arrière du cadre dans les trous taraudés VESA 100 qui sont prévus au dos du produit

- ▶ Utiliser une clé allen 2,5 mm pour serrer les vis M4 x 6 ISO 7380 qui sont incluses dans la livraison
- ▶ Respecter le couple de serrage autorisé de 2,6 Nm

Monter la plaque arrière avec le produit sur la plaque avant du cadre

- ▶ Utiliser une clé à douille 7 mm pour serrer les écrous M4 x 6 ISO 10511 qui sont inclus dans la livraison
- ▶ Respecter le couple de serrage autorisé de 3,5 Nm

Monter le cadre et la visualisation de cotes dans le panneau

- ▶ Pour obtenir une vue détaillée du panneau et des informations de montage, se référer aux instructions de montage fournies avec le cadre de montage

Informations complémentaires: "E", Page 4

Dimensions du cadre de montage

Informations complémentaires: "N", Page 127

4.2.4 Montage d'un cache

Le cache protège le produit des saletés et des débris.

Placer le cache sur le produit

- ▶ Placer le cache par dessus le produit
- ▶ Aligner le cache et le produit sur le côté droit, en regardant le produit de face

Monter le cache sur le produit

- ▶ Enlever le film protecteur placé sur les languettes adhésives
- ▶ Rabattre les languettes adhésives en direction du produit
- ▶ Comprimer les languettes adhésives contre le produit de sorte qu'elles ne puissent plus bouger

5 Installation

5.1 Vue d'ensemble

Ce chapitre contient toutes les informations nécessaires à l'installation du produit.



Seul un personnel qualifié est habilité à réaliser les étapes suivantes :

Informations complémentaires: "Qualification du personnel", Page 27

5.2 Informations d'ordre général

REMARQUE

Branchement et débranchement des éléments de connexion !

Risque d'endommager les composants internes.

- ▶ Ne procéder à aucune connexion/déconnexion tant que l'appareil est sous tension

REMARQUE

Décharge électrostatique (DES)

Ce produit contient des composants qui peuvent être facilement endommagés par des décharges électrostatiques (DES).

- ▶ Il est essentiel de respecter les mesures de sécurité pour manipuler les composants sensibles aux décharges électrostatiques.
- ▶ Ne jamais toucher les plots des connecteurs sans avoir vérifié la mise à la terre
- ▶ Porter un bracelet ESD pour intervenir sur les connecteurs du produit

REMARQUE

Mauvaise affection des plots !

Cela peut provoquer un dysfonctionnement du produit, voire l'endommager.

- ▶ Affecter uniquement les plots ou les fils qui sont utilisés

5.3 Vue d'ensemble du produit

Les connecteurs situés au dos de l'appareil sont protégés de la pollution et des dommages par des caches anti-poussière.

REMARQUE

Risque de pollution et d'endommagement de l'appareil si les caches anti-poussière manquent !

Cela peut entraver le bon fonctionnement des contacts, voire les détruire.

- ▶ Ne retirer les caches anti-poussière que pour raccorder les systèmes de mesure ou les périphériques
- ▶ Si vous débranchez un système de mesure ou un périphérique, remplacez ensuite le cache anti-poussière sur le connecteur.



Le nombre et le type de connecteurs peut varier en fonction de la version du produit.

Panneau arrière sans cache anti-poussière

DRO 10x : **Informations complémentaires:** "A", Page 3

DRO 203, DRO 30x : **Informations complémentaires:** "B", Page 3

Panneau arrière

- 1 Interrupteur d'alimentation et prise secteur
- 2 Borne de mise à la terre conforme à la norme IEC 60471 - 5017
- 3 **X31** : port USB 2.0 Hi-Speed (type C) pour l'unité de stockage de masse et le connecteur PC (sous le cache de protection)
- 4 **X1 à X4** : variante d'appareil avec connecteurs Sub-D 9 plots pour les systèmes de mesure à interface TTL
- 5 **X10** : connecteur Sub-D 15 plots pour palpeurs et appareils auxiliaires (p. ex. palpeur HEIDENHAIN, IOB). Disponible uniquement sur les produits DRO 30x.

5.4 Connexion des systèmes de mesure

- ▶ Retirer et conserver les caches anti-poussière
- ▶ Faire passer les câbles en fonction de la variante de montage

Informations complémentaires: "Assemblage", Page 30

- ▶ Raccorder les câbles des systèmes de mesure aux connecteurs correspondants

Informations complémentaires: "Vue d'ensemble du produit", Page 32

- ▶ Si les connecteurs de câbles sont prévus avec des vis de montage, ne pas serrer excessivement ces dernières

Affectation des plots de X1 à X4

Informations complémentaires: "O", Page 128

5.5 Connexion d'un périphérique USB

- ▶ Enlever le cache anti-poussière
- ▶ Insérer le périphérique USB ou le câble dans le connecteur correspondant

Informations complémentaires: "Vue d'ensemble du produit", Page 32

Affectation des plots de X31

Informations complémentaires: "P", Page 128

5.6 Connexion d'un palpeur



Le palpeur suivant peut être raccordé à un produit DRO 30x :

- Palpeur d'arêtes KT 130 HEIDENHAIN

Informations complémentaires:

"Accessoires", Page 29

- ▶ Enlever et conserver les caches anti-poussière
- ▶ Faire passer les câbles en fonction de la variante de montage

Informations complémentaires: "Assemblage", Page 30

- ▶ Brancher le palpeur sur le connecteur X10 en assurant un contact parfait

Informations complémentaires: "Vue d'ensemble du produit", Page 32

- ▶ Si les connecteurs de câbles sont prévus avec des vis de montage, ne pas serrer excessivement ces dernières

Affectation des plots de X10

Informations complémentaires: "Q", Page 128

5.7 Connexion de la tension secteur

AVERTISSEMENT

Risque d'électrocution !

S'ils ne sont pas mis à la terre correctement, les appareils électriques peuvent provoquer des décharges électriques, occasionnant ainsi des blessures corporelles graves voire mortelles.

- ▶ Utiliser toujours des câbles secteur à 3 fils
- ▶ S'assurer que le fil de mise à la terre est correctement raccordé à la terre de l'installation électrique du bâtiment

AVERTISSEMENT

Risque d'incendie dû à l'utilisation de câbles secteur qui ne sont pas conformes aux prescriptions nationales du pays dans lequel le produit est utilisé.

S'ils ne sont pas mis à la terre correctement, les appareils électriques peuvent provoquer des décharges électriques, occasionnant ainsi des blessures corporelles graves voire mortelles.

- ▶ Utiliser exclusivement un câble secteur qui soit au moins conforme aux prescriptions nationales du pays dans lequel le produit est utilisé

- ▶ Utiliser un câble secteur conforme aux exigences pour raccorder le connecteur d'alimentation à une prise de terre à 3 fils

Informations complémentaires: "Vue d'ensemble du produit", Page 32

Affectation des plots du connecteur d'alimentation

Informations complémentaires: "R", Page 128

6 Spécifications

6.1 Spécifications du produit

Produit

Boîtier	Fonte d'aluminium
Dimensions du boîtier	DRO 10x <ul style="list-style-type: none">■ 285 mm x 160 mm x 46 mm DRO 203, DRO 30x <ul style="list-style-type: none">■ 285 mm x 180 mm x 46 mm
Système de fixation, cotes d'encombrement	VEESA MIS-D, 100 100 mm x 100 mm

Écran

Écran de visualisation	<ul style="list-style-type: none">■ Grand écran LCD (15:9) écran couleur 17.8 cm (7")■ 800 x 480 pixels
Interface utilisateur	Interface utilisateur (GUI) avec clavier

Données électriques

Alimentation en énergie	<ul style="list-style-type: none">■ 100 V CA ... 240 V (± 10 %)■ 50 Hz ... 60 Hz (± 5 %)■ Puissance d'entrée max. 30 W
Catégorie de surtension	II
Nombre d'entrées pour les systèmes de mesure	DRO 10x <ul style="list-style-type: none">■ 1, 2 ou 3 DRO 203 <ul style="list-style-type: none">■ 3 DRO 30x <ul style="list-style-type: none">■ 3 ou 4
Interfaces de systèmes de mesure	TTL : Courant max. 300 mA fréquence d'entrée max. 500 kHz
KT 130, interface IOB 610	5 V CC (± 5 %)
Interface de données	USB 2.0 Hi-Speed (type C), courant max. 500 mA

Conditions ambiantes

Température de service	0 °C ... 45 °C
Température de stockage	-20 °C ... 70 °C
Humidité relative de l'air	40 % ... 80 % r.H., sans condensation
Altitude	≤ 2000 m

Informations d'ordre général

Directives	<ul style="list-style-type: none">■ Directive CEM 2014/30/UE■ Directive Basse tension 2014/35/UE
Degré de pollution	2
Indice de protection EN 60529	<ul style="list-style-type: none">■ Panneau avant et panneaux latéraux : IP 54■ Panneau arrière : IP 40
Poids	DRO 10x <ul style="list-style-type: none">■ 1,5 kg■ Avec un pied fixe Single-Pos : 1,6 kg■ Avec un support Multi-Pos : 1,9 kg DRO 203, DRO 30x <ul style="list-style-type: none">■ 1,9 kg■ Avec un pied fixe Single-Pos : 2,0 kg■ Avec un support Multi-Pos : 2,3 kg■ Avec un cadre de montage : 3,3 kg

6.2 Dimensions du produit et cotes d'encombrement

Informations complémentaires: Page 125 et les pages suivantes.

Toutes les cotes indiquées dans les dessins sont en millimètres.

1 Principi fondamentali

1.1 Il presente manuale

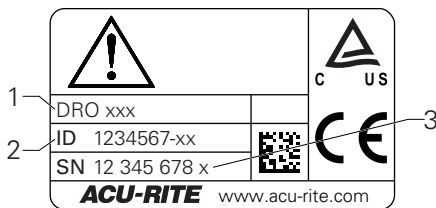
Le istruzioni contenute nel presente manuale forniscono tutte le informazioni e norme di sicurezza necessarie per il montaggio e l'installazione corretti del prodotto.

1.2 Informazioni sul prodotto

Denominazione prodotto	Codice prodotto
DRO 101 1 asse	1197252-xx
DRO 102 2 assi	
DRO 103 3 assi	
DRO 203 3 assi	1197250-xx
DRO 303 3 assi con collegamento IOB 610/KT 130	1197251-xx
DRO 304 4 assi con collegamento IOB 610/KT 130	

La targhetta ID è disposta sul retro del prodotto.

Esempio:



- 1 Denominazione prodotto
- 2 Codice prodotto
- 3 Indice

Validità della documentazione

Prima di utilizzare la documentazione e il prodotto, è necessario verificare che la documentazione sia relativa al prodotto in questione.

- ▶ Confrontare il codice prodotto e l'indice indicato nella documentazione con i dati corrispondenti forniti sulla targhetta ID del prodotto
- Se codici prodotto e indici corrispondono, la documentazione è valida



Se codici prodotto e indici non corrispondono e la documentazione non è valida, è possibile scaricare la documentazione aggiornata del prodotto all'indirizzo www.acu-rite.com.

1.3 Note sulla lettura della documentazione

La tabella sottostante elenca i componenti della documentazione in ordine di priorità di lettura.

⚠ ALLARME

Incidenti mortali, lesioni personali o danni materiali derivanti dalla mancata osservanza della documentazione!

La mancata osservanza della documentazione può causare incidenti mortali, lesioni personali o danni materiali.

- ▶ Leggere attentamente la documentazione dall'inizio alla fine
- ▶ Conservare la documentazione per consultazioni future

Documentazione Descrizione

Supplemento Un supplemento integra o sostituisce il contenuto corrispondente del manuale di istruzioni e, se applicabile, delle istruzioni di installazione. Se questo documento è a corredo, leggerlo attentamente prima di procedere. Tutti gli altri contenuti della documentazione conservano la loro validità.

Istruzioni di installazione Le istruzioni di installazione contengono tutte le informazioni e norme di sicurezza necessarie per il montaggio e l'installazione corretti del prodotto. Costituiscono un estratto del manuale di istruzioni e sono incluse a corredo di ogni prodotto. Questo documento è al secondo posto in ordine di priorità di lettura.

Manuale di istruzioni Il manuale di istruzioni contiene tutte le informazioni e norme di sicurezza necessarie per il montaggio e l'installazione corretti del prodotto. Questo documento è al terzo posto in ordine di priorità di lettura. Questa documentazione può essere scaricata dall'area di download all'indirizzo www.acu-rite.com. Il manuale di istruzioni deve essere stampato prima di mettere in funzione il prodotto.

Documentazione di dispositivi di misura collegati e altre unità periferiche Questi documenti non rientrano nello standard di fornitura. Vengono spediti insieme ai relativi dispositivi di misura e unità periferiche.

Eventuali modifiche richieste o errori riscontrati

La documentazione viene costantemente aggiornata per migliorare il livello qualitativo. Per supportare tale processo inviare eventuali richieste al seguente indirizzo e-mail:

userdoc@acu-rite.de

1.4 Conservazione e distribuzione della documentazione

Le istruzioni devono essere conservate nelle immediate vicinanze delle postazioni di lavoro e devono essere a disposizione di tutto il personale in qualsiasi momento. L'azienda è tenuta a informare tutto il personale in merito al luogo di conservazione di tali istruzioni. Qualora le istruzioni risultino illeggibili, l'azienda deve richiederne la sostituzione da parte del produttore.

Se il prodotto viene ceduto e rivenduto a terze parti, i seguenti documenti devono essere consegnati al nuovo proprietario:

- Supplemento, se fornito
- Istruzioni di installazione
- Manuale di istruzioni

1.5 Gruppo target delle istruzioni

Le istruzioni di installazione devono essere lette e osservate da chiunque esegue i seguenti compiti:

- Montaggio
- Installazione

1.6 Note nella presente documentazione

Norme di sicurezza

Rispettare tutte le norme di sicurezza indicate nelle presenti istruzioni e nella documentazione del costruttore della macchina utensile!

Dichiarazioni precauzionali avvertono dei rischi nella gestione del prodotto e forniscono informazioni sulla loro prevenzione. Le dichiarazioni precauzionali sono classificate secondo la gravità del pericolo e divise nei gruppi specificati di seguito.

PERICOLO

Pericolo denota rischi per le persone. Se non si rispettano le istruzioni per prevenirlo, il rischio **causerà morte o lesioni gravi**.

ALLARME

Avvertenza denota rischi per le persone. Se non si rispettano le istruzioni per prevenirlo, il rischio **potrebbe causare morte o lesioni serie**.

ATTENZIONE

Attenzione denota rischi per le persone. Se non si rispettano le istruzioni per prevenirlo, il rischio **causerà lesioni lievi o moderate**.

NOTA

Avviso denota danni a materiali o dati. Se non si rispettano le istruzioni per prevenirlo, il rischio **potrebbe avere conseguenze diverse da lesioni personali, come danni alla proprietà**.

Note informative

Osservare le note informative fornite in queste istruzioni per garantire un funzionamento affidabile ed efficiente del prodotto.

Nelle presenti istruzioni sono riportate le seguenti note informative:



Il simbolo dell'informazione indica un **suggerimento**.

Un suggerimento fornisce importanti informazioni aggiuntive o supplementari.



Il simbolo dell'ingranaggio indica che la funzione descritta è **correlata alla macchina**, ad esempio

- la macchina deve disporre di una determinata opzione software o hardware
- il comportamento della funzione dipende dalle impostazioni configurabili della macchina



Il simbolo del libro rappresenta un **riferimento incrociato** a documentazione esterna, ad esempio documentazione del costruttore della macchina utensile o di altro fornitore.

2 Sicurezza

2.1 Norme di sicurezza generali

Durante il funzionamento del sistema è necessario rispettare le norme di sicurezza generalmente accettate, in particolare le precauzioni applicabili relative alla gestione di apparecchiature elettriche in tensione. La mancata osservanza di tali norme di sicurezza può causare lesioni personali o danni al prodotto.

Le norme di sicurezza all'interno delle singole aziende sono naturalmente diverse. Se sussiste un conflitto tra quanto riportato nel presente manuale e le norme dell'azienda che utilizza il sistema, sono prioritarie le disposizioni più severe.

2.2 Impiego previsto

I prodotti delle serie DRO 100, DRO 200 e DRO 300 sono visualizzatori di quote avanzati da utilizzare su macchine utensili manuali. In combinazione con sistemi di misura lineari e angolari, i visualizzatori di quote delle serie DRO 100, DRO 200 e DRO 300 visualizzano la posizione dell'utensile in più di un asse e offrono ulteriori funzioni per l'utilizzo della macchina utensile.

I prodotti delle serie DRO 100, DRO 200 e DRO 300:

- devono essere impiegati esclusivamente in applicazioni commerciali e in un ambiente industriale
- devono essere montati su una base o supporto idoneo ad assicurare l'impiego corretto e previsto del prodotto
- sono concepiti per uso interno in un ambiente in cui la contaminazione causata da umidità, sporco, olio e lubrificanti è conforme ai requisiti delle specifiche



I prodotti delle serie DRO 100, DRO 200 e DRO 300 supportano l'uso di una grande varietà di unità periferiche di produttori differenti. HEIDENHAIN non è in grado di fornire alcuna affermazione sull'uso previsto di tali unità. È necessario osservare le informazioni sul relativo uso previsto fornite nella rispettiva documentazione.

2.3 Impiego improprio

Quando si utilizza il prodotto è necessario assicurare che non possano risultare rischi per le persone. Se sussiste un rischio di questo tipo, l'azienda è tenuta ad adottare le misure appropriate.

In particolare, il prodotto non deve essere impiegato nelle seguenti applicazioni:

- uso e conservazione non conformi alle specifiche
- uso all'aperto
- uso in atmosfere potenzialmente esplosive
- uso del prodotto quale componente di una funzione di sicurezza

2.4 Qualifica del personale

Il personale addetto al montaggio e all'installazione deve essere adeguatamente qualificato per tale attività e deve essere sufficientemente informato in base alla documentazione a corredo del prodotto e delle unità periferiche collegate.

Il personale richiesto per attività specifiche da eseguire sul prodotto è indicato nelle rispettive sezioni delle presenti istruzioni.

I gruppi di personale responsabili per il montaggio e l'installazione hanno qualifiche e compiti differenti, specificati di seguito.

Personale qualificato

Il personale qualificato è stato istruito dall'azienda per il funzionamento e la parametrizzazione avanzati. Il personale qualificato possiede la formazione, la competenza e l'esperienza tecniche richieste ed è a conoscenza delle regolamentazioni applicabili, ed è pertanto in grado di eseguire il lavoro assegnato riguardo l'applicazione e di identificare e prevenire in maniera proattiva i potenziali rischi.

Elettrotecnico specializzato

L'elettrotecnico specializzato possiede la formazione, la competenza e l'esperienza tecniche richieste ed è a conoscenza degli standard e delle regolamentazioni applicabili, ed è pertanto in grado di eseguire il lavoro assegnato su sistemi elettrotecnici e di identificare e prevenire in maniera proattiva i potenziali rischi. Gli elettrotecnici specializzati sono stati appositamente formati per l'ambiente in cui lavorano.

Gli elettrotecnici specializzati devono rispettare le disposizioni della normativa legale vigente in materia di prevenzione degli incidenti.

2.5 Obblighi dell'azienda

L'azienda possiede o noleggia il prodotto e le unità periferiche. È responsabile del rispetto costante dell'uso previsto.

L'azienda è tenuta a

- assegnare i diversi compiti da eseguire sul prodotto a personale appropriato, qualificato e autorizzato
- addestrare in modo verificabile il personale nei compiti che è autorizzato a svolgere e come eseguirli
- fornire tutti i materiali e mezzi necessari affinché il personale possa completare i compiti assegnati
- assicurarsi che il prodotto venga azionato soltanto in perfette condizioni tecniche
- assicurarsi che il prodotto sia protetto dall'uso non autorizzato

2.6 Norme di sicurezza generali



La sicurezza di qualsiasi sistema che includa l'impiego di questo prodotto è di responsabilità dell'assemblatore o dell'installatore del sistema.



Il prodotto supporta l'uso di una grande varietà di unità periferiche di produttori differenti. HEIDENHAIN non è in grado di fornire alcuna affermazione sulle norme di sicurezza specifiche da adottare per queste unità. È necessario osservare le norme di sicurezza fornite nella rispettiva documentazione. Se non viene fornita alcuna informazione in merito, deve essere richiesta ai relativi produttori.

Le norme di sicurezza specifiche richieste per attività particolari da eseguire sul prodotto sono indicate nelle rispettive sezioni delle presenti istruzioni.

2.6.1 Simboli riportati nelle istruzioni

Nel presente manuale sono utilizzati i seguenti simboli di sicurezza:

Simbolo	Significato
	Identifica informazioni che avvertono su possibili lesioni personali
	Identifica dispositivi elettrostatici sensibili (ESD)
	Bracciale ESD per messa a terra personale

2.6.2 Simboli sul prodotto

I seguenti simboli sono utilizzati per identificare il prodotto:

Simbolo	Significato
	Attenersi alle norme di sicurezza relative a impianti e collegamenti elettrici prima di collegare il prodotto
	Terminale di messa a terra secondo IEC 60417 - 5017. Osservare le informazioni sull'installazione.

2.6.3 Istruzioni di sicurezza elettrica

ALLARME

Pericolo di contatto con parti in tensione durante l'apertura del prodotto.

Ciò può causare scosse elettriche, ustioni o morte.

- ▶ Non aprire mai l'alloggiamento
- ▶ Solo il produttore è autorizzato ad accedere all'interno del prodotto

ALLARME

Pericolo di quantità pericolose di elettricità che passano attraverso il corpo umano a contatto diretto o indiretto con parti elettriche in tensione.

Ciò può causare scosse elettriche, ustioni o morte.

- ▶ Gli interventi sull'impianto elettrico e sui componenti elettrici in tensione devono essere eseguiti solo da specialisti qualificati
- ▶ Per il collegamento di alimentazione e tutti i collegamenti di interfaccia, utilizzare solo cavi e connettori conformi alle norme applicabili
- ▶ Richiedere al produttore di sostituire immediatamente i componenti elettrici difettosi
- ▶ Verificare regolarmente tutti i cavi collegati e tutti i connettori del prodotto. I difetti, quali collegamenti allentati o cavi bruciati, devono essere rimossi immediatamente

NOTA

Danni alle parti interne del prodotto!

L'apertura del prodotto determina la perdita della garanzia di buon funzionamento e per difetti di conformità.

- ▶ Non aprire mai l'alloggiamento
- ▶ Solo il produttore è autorizzato ad accedere all'interno del proprio prodotto

3 Trasporto e conservazione

3.1 Panoramica

Questo capitolo contiene tutte le informazioni necessarie per il trasporto e la conservazione del prodotto e fornisce una panoramica degli articoli forniti e gli accessori disponibili per il prodotto.

3.2 Disimballaggio

- ▶ Aprire il coperchio superiore della scatola
- ▶ Rimuovere il materiale di imballaggio
- ▶ Disimballare il contenuto
- ▶ Verificare che il prodotto sia stato completamente fornito secondo lo standard
- ▶ Verificare che il prodotto non sia danneggiato

3.3 Standard di fornitura e accessori

Standard di fornitura

I seguenti articoli sono allegati alla spedizione:

- Prodotto
- Cavo di alimentazione (1197250-0x, 1197251-0x, 1197252-0x)
- Istruzioni di installazione
- Supplemento (opzionale)
Ulteriori informazioni: "Note sulla lettura della documentazione", Pagina 35

Accessori

I seguenti articoli sono disponibili su richiesta e possono essere ordinati a HEIDENHAIN come accessori supplementari:

Accessori	Codice prodotto
Base Single-Pos Per montaggio fisso, angolo di inclinazione 20°	1197273-01
Supporto Multi-Pos Per fissaggio su braccio, inclinabile e ruotabile in qualsiasi posizione	1197273-02
Telaio Per installazione a incasso. Compatibile soltanto con i prodotti DRO 203 e DRO 30x.	1197274-01
Copertura Per protezione da sporco e trucioli	1197275-01
Tastatore di spigoli KT 130 Per tastatura di un pezzo (per impostazione dei punti di riferimento). Compatibile soltanto con i prodotti DRO 30x.	283273-xx
IOB 610 Per commutazione di funzioni input e output. Compatibile soltanto con i prodotti DRO 30x.	1197271-01

3.4 In caso di danni durante il trasporto

- ▶ Richiedere allo spedizioniere di confermare il danno
- ▶ Conservare il materiale di imballaggio per l'ispezione
- ▶ Notificare il danno al mittente
- ▶ Contattare la filiale Heidenhain o il costruttore della macchina per i ricambi



In caso di danni durante il trasporto

- ▶ Conservare il materiale di imballaggio per l'ispezione
- ▶ Mettersi in contatto con HEIDENHAIN o il costruttore della macchina

Questo si applica anche se il danno è stato subito dai ricambi richiesti durante il trasporto.

3.5 Reimballaggio e immagazzinaggio

Reimballare e immagazzinare il prodotto con cura in conformità alle condizioni specificate di seguito.

Reimballaggio

Il reimballaggio dovrebbe essere conforme il più possibile all'imballaggio originale.

- ▶ Applicare tutti componenti di montaggio e le coperture antipolvere al prodotto o reimballarli allo stesso modo in cui erano stati consegnati originariamente dalla fabbrica.
- ▶ Reimballare il prodotto affinché sia protetto dall'impatto e dalle vibrazioni durante il trasporto
- ▶ Reimballare il prodotto affinché sia protetto dalla penetrazione di polvere o umidità
- ▶ Posizionare tutti gli accessori inclusi nella spedizione nell'imballaggio originale

Ulteriori informazioni: "Standard di fornitura e accessori", Pagina 39

- ▶ Includere il Supplemento (se incluso negli articoli forniti), le Istruzioni di installazione e il Manuale di istruzioni

Ulteriori informazioni: "Conservazione e distribuzione della documentazione", Pagina 36



Se si invia il prodotto per la riparazione a un centro di assistenza:

- ▶ Spedire il prodotto senza accessori, senza dispositivi di misura e senza unità periferiche

Immagazzinaggio del prodotto

- ▶ Imballare il prodotto come descritto sopra
- ▶ Osservare le condizioni ambientali specificate
- ▶ Verificare l'eventuale presenza di danni al prodotto dopo ogni trasporto o immagazzinaggio prolungato

4 Montaggio

4.1 Panoramica

Questo capitolo contiene tutte le informazioni necessarie per montare il prodotto.



Le seguenti operazioni devono essere eseguite esclusivamente da personale qualificato.

Ulteriori informazioni: "Qualifica del personale", Pagina 37

4.2 Montaggio

Informazioni generali per il montaggio

Il contenitore per le varianti di montaggio è disposto sul pannello posteriore. La connessione è compatibile con standard VESA 100 mm x 100 mm.

DRO 10x: **Ulteriori informazioni:** "G", Pagina 125

DRO 203, DRO 30x: **Ulteriori informazioni:** "K", Pagina 126

Il materiale per il collegamento delle varianti di montaggio sull'apparecchiatura è incluso nella fornitura.

Inoltre sono richiesti:

- cacciavite Torx T20
- chiave Allen da 2,5 mm
- chiave a tubo da 7 mm
- materiale per montaggio sulla superficie di supporto



Il prodotto deve essere montato su una base o supporto idoneo ad assicurare l'impiego corretto e previsto del prodotto.

Fissaggio dei cavi



Le figure con base e supporto forniscono alcuni suggerimenti in merito al fissaggio dei cavi dopo il montaggio.

Base Single-Pos: **Ulteriori informazioni:** "C", Pagina 4

Supporto Multi-Pos: **Ulteriori informazioni:** "D", Pagina 4

Telaio di montaggio **Ulteriori informazioni:** "E", Pagina 4

In caso di montaggio su base:

- ▶ Raggruppare i cavi
- ▶ Far passare il gruppo di cavi attraverso l'apertura nella base da dietro
- ▶ Fissare i cavi lateralmente ai connettori

In caso di montaggio su supporto:

- ▶ Raggruppare i cavi
- ▶ Fissare i cavi lateralmente ai connettori
- ▶ Fissare i cavi al braccio con fascette fermacavi

4.2.1 Montaggio sulla base Single-Pos

La base Single-Pos consente di disporre il prodotto su una superficie con angolo di inclinazione di 20° o avvitarlo alla superficie.

Montare la base ai fori VESA 100 superiori sul pannello posteriore del prodotto

- ▶ Usare un cacciavite Torx T20 per stringere le viti a testa svasata M4 x 8 ISO 14581 incluse nello standard di fornitura
- ▶ Rispettare la coppia di serraggio ammessa di 2,6 Nm

Fissare il prodotto affinché non si muova durante il funzionamento

- ▶ Applicare i gommini autoadesivi nella parte inferiore del prodotto
- ▶ Se non si avvita il prodotto alla superficie, applicare i gommini autoadesivi nella parte inferiore del supporto



Applicare i gommini alla base soltanto se non si avvita il prodotto alla superficie.

Ulteriori informazioni: "C", Pagina 4

Dimensioni della base Single-Pos

DRO 10x: **Ulteriori informazioni:** "H", Pagina 125

DRO 203, DRO 30x: **Ulteriori informazioni:** "L", Pagina 127

4.2.2 Montaggio sul supporto Multi-Pos

Montare il supporto ai fori VESA 100 inferiori sul pannello posteriore del prodotto

- ▶ Usare un cacciavite Torx T20 per stringere le viti a testa svasata M4 x 10 ISO 14581 (color nero) incluse nello standard di fornitura
- ▶ Rispettare la coppia di serraggio ammessa di 2,5 Nm

Il supporto può essere inclinato e ruotato nell'angolazione che consente di consultare comodamente il visualizzatore.

Ulteriori informazioni: "D", Pagina 4

Dimensioni del supporto Multi-Pos

DRO 10x: **Ulteriori informazioni:** "I", Pagina 126

DRO 203, DRO 30x: **Ulteriori informazioni:** "M", Pagina 127

4.2.3 Montaggio nel telaio



Il telaio è compatibile soltanto con i prodotti DRO 203 e DRO 30x.

Il telaio consente di montare il prodotto in un pannello.

Montaggio della piastra posteriore del telaio ai fori VESA 100 sul pannello posteriore del prodotto

- ▶ Usare una chiave Allen da 2,5 mm per stringere le viti M4 x 6 ISO 7380 incluse nello standard di fornitura
- ▶ Rispettare la coppia di serraggio ammessa di 2,6 Nm

Montaggio della piastra posteriore e del prodotto alla piastra frontale del telaio

- ▶ Usare una chiave a tubo da 7 mm per stringere i dadi M4 ISO 10511 inclusi nello standard di fornitura
- ▶ Rispettare la coppia di serraggio ammessa di 3,5 Nm

Montaggio del telaio e del visualizzatore nel pannello

- ▶ Consultare le istruzioni di montaggio fornite con il telaio per il profilo del pannello e informazioni di montaggio

Ulteriori informazioni: "E", Pagina 4

Dimensioni del telaio di montaggio

Ulteriori informazioni: "N", Pagina 127

4.2.4 Montaggio della copertura

La copertura protegge il prodotto da sporco e trucioli.

Applicazione della copertura sul prodotto

- ▶ Applicare la copertura sul prodotto
- ▶ Allineare la copertura al prodotto sul lato destro guardando frontalmente il prodotto

Montaggio della copertura sul prodotto

- ▶ Rimuovere le strisce protettive dalle linguette adesive
- ▶ Piegare le linguette adesive verso il prodotto
- ▶ Premere le linguette adesive al prodotto per fissarle

5 Installazione

5.1 Panoramica

Questo capitolo contiene tutte le informazioni necessarie per installare il prodotto.



Le seguenti operazioni devono essere eseguite esclusivamente da personale qualificato.

Ulteriori informazioni: "Qualifica del personale", Pagina 37

5.2 Informazioni generali

NOTA

Connessione e sconnessione degli elementi di collegamento!

Rischio di danni ai componenti interni.

- ▶ Tutti gli elementi di collegamento non devono essere connessi/disconnessi con unità sotto tensione

NOTA

Scarica elettrostatica (ESD)!

Questo prodotto contiene componenti sensibili che possono essere danneggiati da scariche elettrostatiche (ESD).

- ▶ È essenziale osservare le norme di sicurezza per gestire i componenti ESD sensibili
- ▶ Non toccare mai i pin dei connettori senza l'adeguata messa a terra
- ▶ Indossare un bracciale ESD con messa a terra durante la gestione dei collegamenti del prodotto

NOTA

Piedinatura non corretta!

Questo può causare malfunzionamenti o danni al prodotto.

- ▶ Assegnare soltanto pin o cavi utilizzati

5.3 Panoramica del prodotto

I connettori sul pannello posteriore dell'apparecchiatura sono protetti con coperture antipolvere contro contaminazione e danni.

NOTA

Contaminazione e danni possono verificarsi se si dimentica di applicare le coperture antipolvere!

Questo può compromettere il corretto funzionamento dei contatti o distruggerli.

- ▶ Rimuovere le coperture antipolvere soltanto al collegamento di sistemi di misura o unità periferiche
- ▶ Se si rimuove un sistema di misura o un'unità periferica, riapplicare le coperture antipolvere al connettore



Il tipo e il numero di connettori possono variare in funzione della versione del prodotto.

Pannello posteriore senza coperture antipolvere

DRO 10x: **Ulteriori informazioni:** "A", Pagina 3

DRO 203, DRO 30x: **Ulteriori informazioni:** "B", Pagina 3

Pannello posteriore

- 1 Interruttore di accensione e connettore di rete
- 2 Terminale di messa a terra secondo IEC 60471 - 5017
- 3 **X31:** connettore USB 2.0 Hi-Speed (tipo C) per dispositivo di memoria di massa USB e connettore per PC (sotto copertura protettiva)
- 4 **X1 - X4:** variante con connettori Sub-D a 9 poli per encoder con interfaccia TTL
- 5 **X10:** connettore Sub-D a 15 poli per sonde di tastatura e unità ausiliarie (ad es. sonda di tastatura HEIDENHAIN, IOB). Disponibile soltanto su prodotti DRO 30x.

5.4 Collegamento degli encoder

- ▶ Rimuovere e conservare le coperture antipolvere
- ▶ Fissare i cavi in funzione della variante di montaggio

Ulteriori informazioni: "Montaggio", Pagina 40

- ▶ Collegare a fondo i cavi dell'encoder ai relativi connettori

Ulteriori informazioni: "Panoramica del prodotto", Pagina 42

- ▶ Se i connettori dei cavi includono viti di montaggio, non serrarli eccessivamente

Piedinatura da X1 a X4

Ulteriori informazioni: "O", Pagina 128

5.5 Collegamento di un'unità USB

- ▶ Aprire la copertura antipolvere
- ▶ Collegare l'unità USB o il cavo al relativo connettore

Ulteriori informazioni: "Panoramica del prodotto", Pagina 42

Piedinatura di X31

Ulteriori informazioni: "P", Pagina 128

5.6 Collegamento della sonda di tastatura



La seguente sonda di tastatura può essere collegata a un prodotto DRO 30x:

- tastatore di spigoli HEIDENHAIN KT 130

Ulteriori informazioni: "Accessori", Pagina 39

- ▶ Rimuovere e conservare le coperture antipolvere
- ▶ Fissare i cavi in funzione della variante di montaggio

Ulteriori informazioni: "Montaggio", Pagina 40

- ▶ Collegare a fondo la sonda di tastatura al connettore X10

Ulteriori informazioni: "Panoramica del prodotto", Pagina 42

- ▶ Se i connettori dei cavi includono viti di montaggio, non serrarli eccessivamente

Piedinatura di X10

Ulteriori informazioni: "Q", Pagina 128

5.7 Collegamento della tensione di linea

ALLARME

Pericolo di scosse elettriche!!

La messa a terra inappropriata di dispositivi elettrici può causare lesioni personali serie o morte dovuti a scosse elettriche.

- ▶ Utilizzare sempre cavi di alimentazione a 3 fili
- ▶ Assicurarsi che il cavo messo a terra sia correttamente collegato alla messa a terra delle installazioni elettriche dell'edificio

ALLARME

Pericolo di incendio dovuto all'uso di cavi di alimentazione che non soddisfano i requisiti nazionali del rispettivo Paese in cui il prodotto è montato.

La messa a terra inappropriata di dispositivi elettrici può causare lesioni personali serie o morte dovuti a scosse elettriche.

- ▶ Utilizzare soltanto un cavo di collegamento che soddisfi almeno i requisiti del relativo Paese in cui il prodotto è montato

- ▶ Utilizzare il cavo di collegamento che soddisfa i requisiti per collegare il connettore di rete alla presa elettrica con messa a terra a 3 fili

Ulteriori informazioni: "Panoramica del prodotto", Pagina 42

Piedinatura del connettore di rete

Ulteriori informazioni: "R", Pagina 128

6 Specifiche

6.1 Specifiche del prodotto

Prodotto

Chassis	alluminio fuso
Dimensioni dello chassis	DRO 10x <ul style="list-style-type: none">■ 285 mm x 160 mm x 46 mm DRO 203, DRO 30x <ul style="list-style-type: none">■ 285 mm x 180 mm x 46 mm
Sistema di fissaggio, dimensioni di collegamento	VESA MIS-D, 100 100 mm x 100 mm

Display

Unità video	<ul style="list-style-type: none">■ widescreen LCD (15:9) schermo a colori 17,8 cm (7")■ 800 x 480 pixel
Interfaccia utente	interfaccia utente (GUI) con tastiera

Dati elettrici

Alimentazione	<ul style="list-style-type: none">■ 100 V ... 240 V AC ($\pm 10\%$)■ 50 Hz ... 60 Hz ($\pm 5\%$)■ potenza in ingresso max. 30 W
Categoria di sovratensione	II
Numero di ingressi encoder	DRO 10x <ul style="list-style-type: none">■ 1, 2 o 3 DRO 203 <ul style="list-style-type: none">■ 3 DRO 30x <ul style="list-style-type: none">■ 3 o 4
Interfacce encoder	TTL: corrente max 300 mA frequenza in ingresso max 500 kHz
Interfaccia KT 130, IOB 610	5 V DC ($\pm 5\%$)
Interfaccia dati	USB 2.0 Hi-Speed (tipo C), corrente max 500 mA

Condizioni ambientali

Temperatura di lavoro	0 °C ... 45 °C
Temperatura di immagazzinaggio	-20 °C ... 70 °C
Umidità relativa dell'aria	40% ... 80%, senza formazione di condensa
Altitudine	≤ 2000 m

Informazioni generali

Direttive	<ul style="list-style-type: none">■ Direttiva EMC 2014/30/UE■ Direttiva Bassa tensione 2014/35/UE
Grado di inquinamento	2
Protezione EN 60529	<ul style="list-style-type: none">■ pannello frontale e pannelli laterali: IP 54■ pannello posteriore: IP 40
Peso	DRO 10x <ul style="list-style-type: none">■ 1,5 kg■ con base Single-Pos: 1,6 kg■ con supporto Multi-Pos: 1,9 kg DRO 203, DRO 30x <ul style="list-style-type: none">■ 1,9 kg■ con base Single-Pos: 2,0 kg■ con supporto Multi-Pos: 2,3 kg■ con telaio di montaggio: 3,3 kg

6.2 Dimensioni del prodotto e dimensioni di collegamento

Ulteriori informazioni: Pagina 125 e pagine successive.
Tutte le dimensioni nei disegni sono in millimetri.

1 Conceptos básicos

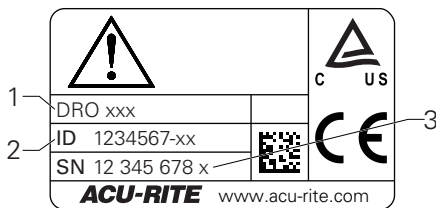
1.1 Sobre estas instrucciones

Estas instrucciones proporcionan toda la información y medidas de seguridad necesarias para el montaje y la instalación adecuados de la unidad.

1.2 Información sobre la unidad

Denominación del producto	Número de pieza
DRO 101 1 eje	1197252-xx
DRO 102 2 ejes	
DRO 103 3 ejes	
DRO 203 3 ejes	1197250-xx
DRO 303 3 ejes con conexión IOB 610/KT 130	1197251-xx
DRO 304 4 ejes con conexión IOB 610/KT 130	

La etiqueta ID figura en la parte posterior del la unidad
Ejemplo:



- 1 Denominación del producto
- 2 Número de pieza
- 3 Índice

Validez de la documentación

Antes de usar la documentación y la unidad, es necesario que verifique que la documentación corresponde con la unidad.

- ▶ Compare el número de pieza y el índice indicados en la documentación con los datos correspondientes proporcionados en la etiqueta de ID de identificación de la unidad.
- > Si los números de pieza y los índices concuerdan, la documentación es válida



Si los números de pieza y los índices no concuerdan y la documentación no es válida, encontrará la documentación actual para la unidad en www.acu-rite.com.

1.3 Notas al leer la documentación

En la tabla siguiente se muestra una lista de los componentes de la documentación por orden de prioridad de lectura.

⚠ ADVERTENCIA

No seguir la documentación provoca accidentes fatales, lesiones o daños a la propiedad.

No seguir la documentación puede provocar accidentes fatales, lesiones o daños a la propiedad.

- ▶ Lea la documentación detenidamente de principio a fin
- ▶ Guarde la documentación para consultas posteriores

Documentación	Descripción
Anexo	Un anexo suplementa o sustituye los contenidos correspondientes al Manual de instrucciones y, en caso aplicable, a las Instrucciones de instalación. Si este documento se incluye en el envío, léalo antes de proceder. El resto de contenidos de la documentación siguen teniendo validez.
Instrucciones de instalación	Estas Instrucciones de instalación contienen toda la información y medidas de seguridad necesarias para el montaje y la instalación adecuados de la unidad. Son un extracto del Manual de instrucciones y están incluidas en todos los envíos. Este documento es el segundo en prioridad de lectura.
Manual de instrucciones	Este Manual de instrucciones contiene toda la información y medidas de seguridad necesarias para la operación correcta de la unidad según su uso previsto. Este documento es el tercero en prioridad de lectura. Esta documentación se puede descargar desde el apartado de descargas en www.acu-rite.com El Manual de instrucciones debe imprimirse antes de la puesta en marcha de la unidad.

Documentación de los sistemas de medida conectados y otros periféricos Estos documentos no se incluyen en el envío. Se envían con los correspondientes sistemas de medida y periféricos.

¿Le gustaría añadir algún cambio o ha encontrado algún error?

Siempre nos esforzamos para mejorar nuestra documentación para usted. Por favor, ayúdenos enviando sus peticiones a la dirección de correo electrónico siguiente:

userdoc@acu-rite.de

1.4 Almacenamiento y distribución de la documentación

Las instrucciones deben guardarse en las proximidades del espacio de trabajo y deben estar disponibles a todo el personal en todo momento. La empresa operadora debe informar al personal del lugar donde se guardan estas instrucciones. Si las instrucciones dejan de ser legibles, la empresa operadora debe obtener un reemplazo del fabricante.

Si la unidad se entrega o revende a cualquier tercera parte, los siguientes deben transferirse al nuevo dueño:

- Anexo, si se incluye
- Instrucciones de instalación
- Modo de Empleo

1.5 Público objetivo de las instrucciones

Toda persona que realice alguna de las siguientes tareas debe leer y cumplir las Instrucciones de instalación:

- Fijación
- Instalación

1.6 Notas en esta documentación

Medidas de seguridad

Cumpla con todas las medidas de seguridad indicadas en estas instrucciones y en la documentación del fabricante.

Los consejos de prudencia advierten de los peligros durante el manejo de la unidad y proporcionan información sobre su prevención. Los consejos de prudencia están clasificados por la gravedad del peligro y divididos en los siguientes grupos:

PELIGRO

Peligro indica peligro para las personas. Si no sigue las instrucciones para evitarlo, el peligro **resultará en la muerte o en lesiones graves**.

ADVERTENCIA

Advertencia indica peligro para las personas. Si no sigue las instrucciones para evitarlo, el peligro **podría resultar en la muerte o en lesiones graves**.

PRECAUCIÓN

Precaución indica peligro para las personas. Si no sigue las instrucciones para evitarlo, el peligro **podría resultar en lesiones menores o moderadas**.

INDICACIÓN

Nota indica peligro para materiales o datos. Si no sigue las instrucciones para evitarlo, el peligro **podría resultar en daños a objetos, en lugar de en lesiones, como daño a la propiedad**.

Notas informativas

Siga las notas informativas proporcionadas en estas instrucciones para garantizar la operación fiable y eficiente de la unidad.

En estas instrucciones encontrará las siguientes notas informativas:



El símbolo de información indica un **consejo**. Un consejo proporciona información adicional o suplementaria importante.



El símbolo del engranaje indica que la función descrita **depende de la máquina**, por ejemplo,

- Su máquina debe presentar un software o una opción de hardware concretos
- El comportamiento de la función depende de los ajustes configurables de la máquina



El símbolo del libro representa una **referencia cruzada** a documentación externa, p. ej., la documentación de su fabricante u otro proveedor.

2 Seguridad

2.1 Medidas de seguridad generales

Las medidas de seguridad generales aceptadas, en concreto las medidas aplicables relacionadas con el manejo de equipo eléctricos bajo tensión deben respetarse al operar el sistema. No respetar estas medidas de seguridad puede ocasionar lesiones o daños a la unidad.

Se entiende que las normas de seguridad pueden diferir en cada empresa. En caso de conflicto entre el material incluido en estas instrucciones y las normas de una empresa que utiliza este sistema se debería considerar las normas más restrictivas.

2.2 Uso previsto

Las unidades de las series DRO 100, DRO 200 y DRO 300 son contadores avanzados para el uso en herramientas mecánicas manuales. En combinación con sistemas de medida lineales y angulares, los contadores de las series DRO 100, DRO 200 y DRO 300 muestran la posición de la herramienta en más de un eje y proporcionan funciones adicionales para operar la herramienta mecánica.

Las unidades de las series DRO 100, DRO 200 y DRO 300:

- solo se pueden usar en aplicaciones comerciales y en un entorno industrial
- deben montarse en un soporte o sujeción adecuados para garantizar un funcionamiento correcto de la unidad según lo previsto
- están previstos para uso en interiores en un entorno en el que la contaminación provocada por la humedad, suciedad, aceite y lubricantes cumple con las exigencias de las especificaciones



Las unidades de las series DRO 100, DRO 200 y DRO 300 son compatibles con la utilización de una extensa variedad de dispositivos periféricos de diversos fabricantes. HEIDENHAIN no puede efectuar ninguna declaración acerca del uso previsto de estos dispositivos. Debe cumplirse la información acerca de su uso previsto, la cual se proporciona en la documentación asociada.

2.3 Uso indebido

Cuando se utilice la unidad, debe asegurarse de que no sea peligroso para las personas. Si existiese algún peligro, la empresa operadora deberá tomar las medidas adecuadas.

En concreto, la unidad no debe utilizarse en las siguientes aplicaciones:

- Uso y almacenamiento fuera de las especificaciones
- Uso en exteriores
- Uso en atmósferas con peligro de explosión
- Uso de la unidad como parte de una función de seguridad

2.4 Cualificación del personal

El personal para el montaje y la instalación debe tener la cualificación adecuada para este trabajo y debe haber obtenido la suficiente información de la documentación proporcionada con la unidad y con los periféricos conectados.

El personal necesario para las actividades independientes que deberán realizarse en la unidad está indicado en las correspondientes secciones de estas instrucciones.

Los grupos de personal responsables del montaje y la instalación tienen diferentes cualificaciones y tareas, especificadas a continuación.

Personal cualificado

El personal cualificado está formado por la empresa operadora para realizar una operación y parametrización avanzadas. El personal cualificado tiene la formación técnica, el conocimiento y la experiencia necesarios y conoce la normativa aplicable, por lo que es capaz de llevar a cabo el trabajo asignado relacionado con la aplicación correspondiente y de identificar y prevenir posibles riesgos.

Electricista especializado

El personal cualificado tiene la formación técnica, el conocimiento y la experiencia necesarios y conoce la normativa aplicable, por lo que es capaz de llevar a cabo el trabajo asignado relacionado con la aplicación correspondiente y de identificar y prevenir posibles riesgos. Los electricistas especializados han sido especialmente entrenados para el entorno en el que trabajan.

Los electricistas especializados deben cumplir las disposiciones de la normativa legal aplicable sobre prevención de accidentes.

2.5 Obligaciones de la empresa operadora

La empresa es la propietaria o la arrendataria de la unidad y los periféricos. Es la responsable de que se cumpla el uso previsto en todo momento.

La empresa operadora debe:

- Asignar las diferentes tareas que se van a realizar sobre el producto a personal adecuado, cualificado y autorizado
- Formar de forma demostrable al personal en las tareas que está autorizado a realizar y en cómo realizarlas
- Proporcionar todo el material y los medios necesarios para que el personal pueda completar las tareas asignadas
- Garantizar que el producto se opera solamente en perfectas condiciones técnicas
- Garantizar que el producto está protegido del uso no autorizado

2.6 Medidas de seguridad generales



La seguridad de un sistema donde se integra este producto es responsabilidad del montador o instalador del sistema.



El presente producto es compatible con la utilización de una extensa variedad de dispositivos periféricos de diversos fabricantes. HEIDENHAIN no puede efectuar ninguna declaración acerca de las medidas de seguridad específicas que deben tomarse para dichos dispositivos. Es imprescindible considerar las medidas de seguridad dispuestas en la documentación correspondiente. Si no se aporta dicha información, es imprescindible obtenerla del fabricante en cuestión.

Las medidas de seguridad específicas necesarias para las actividades independientes que deberán realizarse en la unidad están indicadas en las correspondientes secciones de estas instrucciones.

2.6.1 Símbolos en las instrucciones

En este manual se utilizan los siguientes símbolos de seguridad:

Símbolo	Significado
	Identifica la información que advierte sobre lesiones
	Identifica los dispositivos sensibles a la electricidad estática (ESD)
	Pulsera antiestática de puesta a tierra personal

2.6.2 Símbolos en la unidad

Los símbolos siguientes se utilizan para identificar la unidad:

Símbolo	Significado
	Respete las medidas de seguridad relacionadas con la electricidad y la conexión eléctrica antes de conectar la unidad
	Borne de tierra (puesto a tierra) según IEC 60417 - 5017. Respete la información sobre la instalación.

2.6.3 Instrucciones de seguridad eléctrica

⚠ ADVERTENCIA

Peligro de contacto con piezas bajo tensión al operar el producto.

Esto puede resultar en descargas eléctricas, quemaduras o la muerte.

- ▶ No abra nunca la caja
- ▶ Solo el fabricante tiene autorización para acceder al interior de la unidad

⚠ ADVERTENCIA

Peligro de que una gran cantidad de corriente atraviese el cuerpo a causa de contacto directo o indirecto con piezas bajo tensión.

Esto puede resultar en descargas eléctricas, quemaduras o la muerte.

- ▶ Solo especialistas formados deben realizar trabajos en el sistema eléctrico y los componentes eléctricos bajo tensión
- ▶ Utilice para la conexión eléctrica y todas las conexiones de la interfaz solamente conectores que cumplan las normativas aplicables
- ▶ Pida al fabricante que reemplace los componentes eléctricos defectuosos de inmediato
- ▶ Inspeccione regularmente todos los cables conectados y todas las conexiones de la unidad. Los defectos, como las conexiones sueltas o los cables quemados deben retirarse inmediatamente

INDICACIÓN

Daño a las piezas internas de la unidad

Abrir la unidad provocará la pérdida de la garantía legal y comercial.

- ▶ No abra nunca la caja
- ▶ Solo el fabricante de la unidad tiene autorización para acceder al interior de la unidad

3 Transporte y almacenamiento

3.1 Resumen

Este capítulo contiene toda la información necesaria para el transporte y almacenamiento de la unidad y proporciona un resumen de los elementos suministrados y los accesorios disponibles para la unidad.

3.2 Desembalaje

- ▶ Abra la tapa superior de la caja
- ▶ Retire el material de embalaje
- ▶ Desembale los contenidos
- ▶ Compruebe que el envío está completo
- ▶ Compruebe si el envío presenta daños

3.3 Elementos suministrados y accesorios

Elementos suministrados

Los artículos siguientes están incluidos entre los elementos suministrados:

- Producto
- Cable de conexión a la alimentación eléctrica (1197250-0x, 1197251-0x, 1197252-0x)
- Instrucciones de instalación
- Anexo (opcional)
Información adicional: "Notas al leer la documentación", Página 45

Accesorios

Los siguientes elementos están disponibles opcionalmente y se pueden pedir a HEIDENHAIN como accesorios adicionales:

Accesorios	Número de pieza
Soporte Single-Pos Para montaje rígido, ángulo de inclinación de 20°	1197273-01
Sujeción Multi-Pos Para su fijación en un brazo, en continua inclinación y rotación	1197273-02
Marco de fijación Para montaje en un panel. Compatible solamente con unidades DRO 203 y DRO 30x.	1197274-01
Cubierta Para protección contra suciedad y residuos	1197275-01
Palpador de aristas KT 130 Para palpación de piezas (para establecer puntos de referencia). Compatible solamente con unidades DRO 30x.	283273-xx
IOB 610 Para conmutar funciones de entrada y salida. Compatible solamente con unidades DRO 30x.	1197271-01

3.4 En caso de daños durante el transporte

- ▶ Pida al transportista que confirme los daños
- ▶ Guarde el material de embalaje para su inspección
- ▶ Notifique los daños al remitente
- ▶ Contacte con el distribuidor o el fabricante para obtener piezas de recambio



En caso de daños durante el transporte:

- ▶ Guarde el material de embalaje para su inspección
- ▶ Póngase en contacto con HEIDENHAIN o el fabricante de la máquina

Esto también es aplicable si las piezas de recambio pedidas sufren daños durante el transporte.

3.5 Reembalaje y almacenamiento

Vuelva a embalar y almacene la unidad con cuidado según las condiciones descritas a continuación.

Reembalaje

El nuevo embalaje debería ser lo más parecido posible al original.

- ▶ Inserte todas las partes de montaje y las tapas de protección contra el polvo en la unidad o vuelva a embalarla tal y como se envió de fábrica.
- ▶ Embálelo de forma que quede protegido de los impactos y de las vibraciones durante el transporte
- ▶ Embálelo de forma que quede protegido de la entrada de polvo o humedad
- ▶ Coloque todos los accesorios incluidos con el envío en el embalaje original

Información adicional: "Elementos suministrados y accesorios", Página 49

- ▶ Incluya el Anexo (si venía incluido entre los elementos suministrados), las Instrucciones de instalación y el Manual de instrucciones

Información adicional: "Almacenamiento y distribución de la documentación", Página 46



Si devuelve la unidad para su reparación a una agencia de mantenimiento:

- ▶ Envíe la unidad sin accesorios, sin sistemas de medida y sin periféricos

Almacenamiento de la unidad

- ▶ Embale la unidad tal y como se ha descrito anteriormente
- ▶ Respete las condiciones ambientales especificadas
- ▶ Inspeccione la unidad en busca de daños tras el transporte o periodos de almacenamiento largos

4 Fijación

4.1 Resumen

Este capítulo contiene toda la información necesaria para montar la unidad.



Solo personal cualificado debe llevar a cabo los pasos siguientes.

Información adicional: "Cualificación del personal", Página 47

4.2 Montaje

Información general de montaje

El receptáculo para las variantes de montaje está indicado en el panel posterior. La conexión es compatible con el estándar VESA de 100 mm x 100 mm.

DRO 10x: **Información adicional:** "G", Página 125

DRO 203, DRO 30x: **Información adicional:** "K", Página 126

El material para ensamblar las variantes de montaje en el dispositivo se incluye en el envío.

También necesitará lo siguiente:

- Destornillador Torx T20
- Llave Allen de 2,5 mm
- Llave de tubo de 7 mm
- Material para montaje en una superficie de soporte



La unidad debe montarse en un soporte o sujeción para garantizar un funcionamiento correcto de la unidad según lo previsto.

Instalación de los cables



En las figuras que muestran el soporte y la sujeción encontrará sugerencias para instalar los cables después del montaje.

Soporte Single-Pos: **Información adicional:** "C", Página 4

Sujeción Multi-Pos: **Información adicional:** "D", Página 4

Marco de fijación: **Información adicional:** "E", Página 4

Montaje en un soporte:

- ▶ Junte los cables
- ▶ Guíe los cables a través de la abertura en el soporte desde atrás
- ▶ Guíe los cables lateralmente a las conexiones

Montaje en una sujeción:

- ▶ Junte los cables
- ▶ Guíe los cables lateralmente a las conexiones
- ▶ Sujete los cables al brazo con bridas para cables

4.2.1 Montaje en soporte Single-Pos

El soporte Single-Pos le permite colocar la unidad sobre una superficie con un ángulo de inclinación de 20° o atornillar la unidad a una superficie.

Monte el soporte a los orificios roscados VESA 100 superiores de la parte posterior de la unidad

- ▶ Utilice un destornillador Torx T20 para apretar los tornillos de cabeza plana M4 x 8 ISO 14581 incluidos en el envío
- ▶ Respete el par de apriete admisible de 2,6 Nm

Sujete la unidad para que no se mueva durante el funcionamiento

- ▶ Fije los protectores de goma adhesivos incluidos a la parte inferior de la unidad
- ▶ Si no atornilla la unidad a una superficie, fije los protectores de goma adhesivos a la parte inferior del soporte



Fije los protectores de goma al soporte solo si no atornilla la unidad a una superficie.

Información adicional: "C", Página 4

Dimensiones del soporte Single-Pos

DRO 10x: **Información adicional:** "H", Página 125

DRO 203, DRO 30x: **Información adicional:** "L", Página 127

4.2.2 Montaje en sujeción Multi-Pos:

Monte la sujeción a los orificios roscados VESA 100 inferiores de la parte posterior de la unidad

- ▶ Utilice un destornillador Torx T20 para apretar los tornillos de cabeza plana M4 x 10 ISO 14581 (negros) incluidos en el envío
- ▶ Respete el par de apriete admisible de 2,5 Nm

Puede inclinar y rotar la sujeción hasta un ángulo que le permita ver el contador cómodamente.

Información adicional: "D", Página 4

Dimensiones del soporte Multi-Pos

DRO 10x: **Información adicional:** "I", Página 126

DRO 203, DRO 30x: **Información adicional:** "M", Página 127

4.2.3 Montaje en un marco de fijación:



El marco de fijación es compatible solamente con unidades DRO 203 y DRO 30x.

El marco de fijación le permite montar la unidad en un panel.

Monte la chapa posterior del marco a los orificios roscados VESA 100 de la parte posterior de la unidad

- ▶ Utilice una llave Allen de 2,5 mm para apretar los tornillos M4 x 6 ISO 7380 incluidos en el envío
- ▶ Respete el par de apriete admisible de 2,6 Nm

Monte la chapa posterior y la unidad a la chapa frontal del marco

- ▶ Utilice una llave de tubo de 7 mm para apretar las tuercas M4 ISO 10511 incluidas en el envío
- ▶ Respete el par de apriete admisible de 3,5 Nm

Monte el marco y el contador en el panel

- ▶ Consulte las instrucciones de montaje proporcionadas con el marco de fijación para información sobre el recorte del panel y el montaje

Información adicional: "E", Página 4

Dimensiones del marco de fijación

Información adicional: "N", Página 127

4.2.4 Montaje de una cubierta

La cubierta protege contra la suciedad y los residuos.

Coloque la cubierta sobre la unidad

- ▶ Coloque la cubierta sobre la unidad
- ▶ Alinee la cubierta y la unidad por el lado derecho según se mira a la parte frontal de la unidad

Acople la cubierta a la unidad

- ▶ Retire los protectores con tira adhesiva de las pestañas adhesivas
- ▶ Doble las pestañas adhesivas en dirección a la unidad
- ▶ Presione las pestañas adhesivas contra la unidad para fijar la pestaña a la unidad

5 Instalación

5.1 Resumen

Este capítulo contiene toda la información necesaria para instalar la unidad.



Solo personal cualificado debe llevar a cabo los pasos siguientes.

Información adicional: "Cualificación del personal",
Página 47

5.2 Información general

INDICACIÓN

Acoplar y desacoplar los elementos conectores.

Peligro de daños a los componentes internos.

- ▶ No acople o desacople ningún elemento conector mientras la unidad esté conectada a la corriente

INDICACIÓN

Descarga electrostática (ESD).

Este producto contiene componentes sensibles a la electricidad estática que pueden quedar inutilizados por descargas electrostáticas (ESD).

- ▶ Es de suma importancia que respete las medidas de seguridad al manejar componentes sensibles a ESD
- ▶ Nunca toque los pines sin asegurarse de que están puestos a tierra
- ▶ Póngase una pulsera de puesta a tierra cuando maneje las conexiones de la unidad

INDICACIÓN

Asignación de pines incorrecta.

Esto puede provocar un mal funcionamiento de la unidad o daños a la unidad.

- ▶ Asigne solamente pines o cables que se estén utilizando

5.3 Perspectiva general del producto

Las conexiones en el panel posterior del dispositivo están protegidas de la contaminación y los daños por tapas de protección contra el polvo.

INDICACIÓN

La pérdida de las tapas de protección contra el polvo puede conllevar a contaminación o daños.

Esto puede perjudicar el funcionamiento correcto de los contactos o inutilizarlos.

- ▶ Extraiga las tapas de protección contra el polvo solo al conectar sistemas de medida o periféricos
- ▶ Si extrae un sistema de medida o periférico, vuelva a insertar la tapa de protección contra el polvo en la conexión

i El tipo y número de conectores puede variar dependiendo de la versión de la unidad.

Panel trasero sin tapas de protección contra el polvo

DRO 10x: **Información adicional:** "A", Página 3

DRO 203, DRO 30x: **Información adicional:** "B", Página 3

Panel trasero

- 1 Cable de alimentación y conexión eléctrica
- 2 Borne de tierra (puesto a tierra) según IEC 60471 - 5017
- 3 **X31:** Conexión USB 2.0 Hi-Speed (tipo C) para dispositivo de almacenamiento masivo USB y conexión a PC (bajo cubierta protectora)
- 4 **X1 a X4:** Variante del dispositivo con conexiones D-sub de 9 pines para sistemas de medida con interfaz TTL
- 5 **X10:** Conexión D-sub de 15 pines para palpadores digitales y dispositivos auxiliares (p. ej. palpador digital HEIDENHAIN, IOB). Disponible solamente en unidades DRO 30x.

5.4 Conectar los sistemas de medida

- ▶ Extraiga y guarde las tapas de protección contra el polvo
- ▶ Instale los cables dependiendo de la variante de montaje

Información adicional: "Montaje", Página 50

- ▶ Conecte el sistema de medida firmemente a las conexiones correspondientes

Información adicional: "Perspectiva general del producto", Página 52

- ▶ Si los conectores tienen tornillos de fijación, no aplicar pares de apriete excesivos

Representación de los pines de X1 a X4:

Información adicional: "O", Página 128

5.5 Conectar un dispositivo USB

- ▶ Abra la tapa de protección contra el polvo
- ▶ Conecte el dispositivo o cable USB a la conexión correspondiente

Información adicional: "Perspectiva general del producto", Página 52

Representación de los pines de X31

Información adicional: "P", Página 128

5.6 Conectar un palpador digital



El siguiente palpador digital se puede conectar a una unidad DRO 30x:

- Palpador de aristas KT 130 de HEIDENHAIN

Información adicional: "Accesorios", Página 49

- ▶ Extraiga y guarde las tapas de protección contra el polvo
- ▶ Instale los cables dependiendo de la variante de montaje

Información adicional: "Montaje", Página 50

- ▶ Conecte el palpador digital firmemente a la conexión X10

Información adicional: "Perspectiva general del producto", Página 52

- ▶ Si los conectores tienen tornillos de fijación, no aplicar pares de apriete excesivos

Representación de los pines de X10

Información adicional: "Q", Página 128

5.7 Conectar la tensión de línea

ADVERTENCIA

Riesgo de descarga eléctrica.

La puesta a tierra incorrecta de los dispositivos eléctricos puede ocasionar lesiones graves o la muerte por descarga eléctrica.

- ▶ Utilice siempre cables de alimentación a 3 hilos
- ▶ Asegúrese de que el cable a tierra está conectado correctamente a la toma a tierra de la instalación eléctrica del edificio

ADVERTENCIA

Existe riesgo de incendio al no utilizar cables de alimentación que no cumplan los requisitos nacionales del país correspondiente en el que se monte la unidad.

La puesta a tierra incorrecta de los dispositivos eléctricos puede ocasionar lesiones graves o la muerte por descarga eléctrica.

- ▶ Existe riesgo de incendio al no utilizar cables de alimentación que no cumplan los requisitos nacionales del país correspondiente en el que se monta la unidad.

- ▶ Utilice un cable de alimentación que cumpla las exigencias necesarias para conectar la conexión de red a una toma de corriente a tierra de 3 hilos

Información adicional: "Perspectiva general del producto", Página 52

Representación de los pines de la conexión eléctrica

Información adicional: "R", Página 128

6 Especificaciones

6.1 Especificaciones del producto

Producto

Caja	Aleación de aluminio
Dimensiones de la caja	DRO 10x <ul style="list-style-type: none">■ 285 mm x 160 mm x 46 mm DRO 203, DRO 30x <ul style="list-style-type: none">■ 285 mm x 180 mm x 46 mm
Sistema de fijación, medida de acoplamiento	VESA MIS-D, 100 100 mm x 100 mm

Visualiz.

Monitor visual	<ul style="list-style-type: none">■ Pantalla panorámica LCD (15:9) pantalla a color 17,8 cm (7")■ 800 x 480 píxeles
Interfaz de usuario	Interfaz de usuario (GUI) con teclado

Datos eléctricos

Fuente de alimentación	<ul style="list-style-type: none">■ AC 100 V... 240 V (± 10 %)■ 50 Hz... 60 Hz (± 5 %)■ Potencia de entrada máx. 30 W
Clase de sobreten-sión	II
Número de entra-das del sistema de medida	DRO 10x <ul style="list-style-type: none">■ 1, 2 o 3 DRO 203 <ul style="list-style-type: none">■ 3 DRO 30x <ul style="list-style-type: none">■ 3 o 4
Interfaz del sistema de medida	TTL: Corriente máx. 300 mA frecuencia de entrada máx. 500 kHz
KT 130, interfaz IOB 610	5 VCD (± 5 %)
Interfaz de datos	USB 2.0 Hi-Speed (tipo C), corriente máx. 500 mA

Condiciones ambientales

Temperatura de funcionamiento	0 °C ... 45 °C
Temperatura de almacenamiento	-20 °C ... 70 °C
Humedad relativa del aire	40 %... 80 % HR, sin condensación
Altitud	≤ 2000 m

Información general

Directivas	<ul style="list-style-type: none">■ Directiva EMC 2014/30/EU■ Directiva sobre baja tensión 2014/35/EU
Grado de contami-nación	2
Protección EN 60529	<ul style="list-style-type: none">■ Panel frontal y paneles laterales: IP 54■ Panel posterior: IP 40
Peso	DRO 10x <ul style="list-style-type: none">■ 1,5 kg■ Con soporte Single-Pos: 1,6 kg■ Con sujeción Multi-Pos: 1,9 kg DRO 203, DRO 30x <ul style="list-style-type: none">■ 1,9 kg■ Con soporte Single-Pos: 2,0 kg■ Con sujeción Multi-Pos: 2,3 kg■ Con marco de fijación: 3,3 kg

6.2 Dimensiones del producto y medidas de acoplamiento

Información adicional: Página 125 y las páginas siguientes.

Todas las dimensiones en las ilustraciones están en milímetros.

1 Základy

1.1 O pokynech

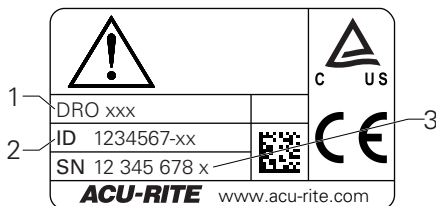
Tyto pokyny poskytují veškeré informace a bezpečnostní opatření potřebná pro správnou montáž a instalaci produktu.

1.2 Informace o výrobku

Označení výrobku	Číslo dílce
DRO 101 1 osa	1197252-xx
DRO 102 2 osy	
DRO 103 3 osy	
DRO 203 3 osy	1197250-xx
DRO 303 3 osy s přípojkou IOB 610 / KT 130	1197251-xx
DRO 304 4 osy s přípojkou IOB 610 / KT 130	

ID-štítek je umístěn na zadní straně produktu.

Příklad:



- 1 Označení výrobku
- 2 Číslo dílce
- 3 Index

Platnost dokumentace

Před použitím dokumentace a produktu musíte ověřit, zda dokumentace odpovídá produktu.

- ▶ Porovnejte číslo dílu a index uvedené v dokumentaci s odpovídajícími údaji na ID-štítku produktu
- > Pokud se číslo dílce a indexy shodují je dokumentace platná



Pokud si číslo dílce a indexy neodpovídají takže dokumentace není platná, najdete aktuální dokumentaci k produktu v www.acu-rite.com.

1.3 Poznámky ke čtení dokumentace

Níže uvedená tabulka uvádí části dokumentace v pořadí podle priority pro čtení.

VAROVÁNÍ

Smrtelné nehody, zranění osob nebo škody na majetku způsobené nerespektováním dokumentace!

Nerespektování dokumentace může mít za následek smrtelné nehody, zranění osob nebo poškození majetku.

- ▶ Pečlivě si přečtěte dokumentaci od začátku do konce
- ▶ Uschovejte dokumentaci pro pozdější potřebu

Dokumentace	Popis
Dodatek	Dodatek doplňuje nebo nahrazuje odpovídající obsah Provozních pokynů a případně i Pokynů k instalaci. Pokud je tento dokument součástí dodávky, přečtěte si ho dříve, než budete pokračovat. Všechny ostatní obsah dokumentace si zachovávejte svoji platnost.
Instalační Pokyny	Instalační pokyny obsahují veškeré informace a bezpečnostní opatření potřebná pro správnou montáž a instalaci produktu. Jsou výňatkem z Návodu k obsluze a jsou součástí každé dodávky. Tento dokument má druhou nejvyšší prioritu pro čtení.
Provozní Pokyny	Provozní pokyny obsahují veškeré informace a bezpečnostní opatření potřebná pro správný provoz produktu podle zamýšleného použití. Tento dokument má třetí nejvyšší prioritu pro čtení. Tuto dokumentaci si můžete stáhnout z www.acu-rite.com . Provozní pokyny musí být vytisknuty před uvedením produktu do provozu.
Dokumentace připojených snímačů a dalších periferních zařízení	Tyto dokumenty nejsou obsahem dodávky. Jsou dodávány s příslušnými snímači a periferními zařízeními.
Přejete si nějaké změny nebo jste našli nějaké chyby?	
Soustavně usilujeme o zdokonalování uživatelské dokumentace. Pomozte nám prosím odesláním vašich požadavků na následující e-mailovou adresu: userdoc@acu-rite.de	

1.4 Uložení a distribuce dokumentace

Návody musí být uloženy v bezprostřední blízkosti pracoviště a musí být stále k dispozici všem zaměstnancům. Provozovatel musí zaměstnance informovat, kde jsou tyto instrukce uloženy. Pokud se pokyny stanou nečitelnými, musí provozovatel získat náhradní dokumenty od výrobce.

Je-li výrobek předán nebo prodán dalšímu uživateli, musí být tyto dokumenty předány novému majiteli:

- Dodatek, pokud byl dodán
- Pokyny k instalaci
- Návod k obsluze

1.5 Cílová skupina návodů

Pokyny k instalaci musí přečíst a dodržovat každý, kdo provádí některý z následujících úkolů:

- Montáž
- Instalace

1.6 Poznámky v této dokumentaci

Bezpečnostní opatření

Dodržujte všechna bezpečnostní opatření uvedená v těchto pokynech a v dokumentaci výrobce vašeho obráběcího stroje!

Bezpečnostní pokyny varují před nebezpečím při manipulaci s produktem a poskytují informace o prevenci. Bezpečnostní pokyny se třídí podle vážnosti rizika a dělí se do těchto skupin:

NEBEZPEČÍ

Nebezpečí upozorňuje na rizika pro osoby. Pokud se nebudete řídit pokyny, bude mít nebezpečí **za následek vážné zranění nebo smrt**.

VAROVÁNÍ

Varování upozorňuje na rizika pro osoby. Pokud se nebudete řídit pokyny, může mít nebezpečí **za následek smrt nebo vážné zranění**.

POZOR

Upozornění uvádí rizika pro osoby. Pokud se nebudete řídit pokyny, může mít nebezpečí **za následek zranění nebo poranění**.

UPOZORNĚNÍ

Poznámka upozorňuje na rizika pro materiál nebo data. Pokud se nebudete řídit pokyny, může mít nebezpečí **za následek škody na majetku**.

informativní oznámení

Sledujte informační oznámení uvedená v těchto pokynech k zajištění spolehlivého a účinného provozu výrobku. V těchto pokynech najdete následující informační oznámení:



Informační symbol označuje **tip**.

Tip poskytuje důležité dodatečné nebo doplňující informace.



Symbol ozubeného kola znamená, že popsaná funkce **záleží na stroji**, např.

- Váš stroj musí obsahovat určitý software nebo opční hardware
- Chování funkce závisí na konfigurovatelném nastavení stroje



Symbol knihy představuje **křížový odkaz** na externí dokumentaci, například dokumentaci výrobce vašeho obráběcího stroje nebo jiného dodavatele.

2 Bezpečnost

2.1 Obecná bezpečnostní opatření

Obecně přijímaná bezpečnostní opatření, zejména příslušná opatření týkající se nakládání s elektrickým zařízením pod napětím, musí být za provozu dodržena. Nedodržení těchto bezpečnostních opatření může mít za následek zranění nebo poškození výrobku.

Bezpečnostní směrnice u jednotlivých společností se samozřejmě liší. Dojde-li ke konfliktu mezi materiálem v těchto pokynech a směrnicemi společností, která tento systém používá, tak platí přísnější pravidla.

2.2 Zamýšlené použití

Produkty řad DRO 100, DRO 200 a DRO 300 jsou moderní digitální indikace pro použití na ručně ovládaných obráběcích strojích. V kombinaci s lineárními a rotačními snímači úhlů digitální indikace řad DRO100, DRO 200 a DRO 300 zobrazují umístění nástroje ve více než jedné ose a poskytuje další funkce pro práci obráběcích strojů.

Produkty řad DRO 100, DRO 200 a DRO 300:

- musí se používat pouze v komerčních aplikacích a v průmyslovém prostředí
- musí být namontovány na vhodný podstavec nebo držák k zajištění správného a zamýšleného provozu výrobku
- jsou určeny pro vnitřní použití v prostředí, v němž kontaminace způsobená vlhkostí, špínou, olejem a mazivem je v souladu s požadavky specifikací



Produkty řad DRO 100, DRO 200 a DRO 300 podporují používání široké řady periférií od různých výrobců. HEIDENHAIN nemůže vydat žádné prohlášení o zamýšleném způsobu používání těchto zařízení. Informace o jejich zamýšleném použití, které jsou k dispozici v související dokumentaci, musí být dodrženy.

2.3 Nesprávné použití

Když se produkt používá je třeba zajistit, aby nepředstavoval žádné nebezpečí pro osoby. Pokud existuje takové nebezpečí, musí provozovatel přijmout vhodná opatření.

Zejména výrobek nesmí být používán v následujících aplikacích:

- Používání a uložení mimo dané specifikace
- Venkovní použití
- Použití v prostředí s nebezpečím výbuchu
- Použití produktu jako součásti bezpečnostní funkce

2.4 Kvalifikace personálu

Personál pro montáž a instalaci musí mít příslušnou kvalifikaci pro tuto práci a musí získat dostatečné informace z dokumentace dodané s produktem a s připojenými periferními zařízeními.

Personál požadovaný pro jednotlivé činnosti prováděné na výrobku je uveden v příslušných kapitolách těchto pokynů.

Pracovníci skupin, které jsou zodpovědné za montáž a instalaci mají různé kvalifikace a úkoly, které jsou stanoveny následovně.

Kvalifikované osoby

Kvalifikované osoby jsou školené provozující společností k řízení složitého provozu a parametrizaci. Kvalifikovaný personál má požadované technické vzdělání, znalosti a zkušenosti a zná platné předpisy a je tedy schopen provádět přidělenou práci s ohledem na dané použití a aktivně identifikovat a vyhnout se potenciálním rizikům.

Odborník na elektřiku

Odborník na elektřiku má požadované technické vzdělání, znalosti a zkušenosti a zná platné normy a nařízení a je tedy schopen provádět práci na elektrických systémech a aktivně identifikovat a vyhnout se potenciálním rizikům. Odborníci na elektřiku byli speciálně vyškoleni pro prostředí, ve kterém pracují.

Odborníci na elektřiku musí dodržovat ustanovení platných právních předpisů o předcházení nehodám.

2.5 Povinnosti provozovatele

Provozující společnost vlastní nebo si najímá výrobek a periferní zařízení. Je zodpovědná za dodržování zamýšleného použití.

Provozovatel musí:

- Přiřazovat různé úkoly, které se mají provést na produktu odpovídajícímu, kvalifikovanému a autorizovanému personálu
- Prokazatelně vyškolit zaměstnance pro úkoly, které mají provádět a jak je provádět
- Poskytnout všechny materiály a prostředky pro pracovníky nezbytné k dokončení přidělených úkolů
- Zajistit provoz produktu pouze v perfektním technickém stavu
- Zajistit ochranu produktu proti nepovolenému používání

2.6 Obecná bezpečnostní opatření



Bezpečnost jakéhokoliv systému, který zahrnuje používání tohoto produktu, je na zodpovědnost montéra nebo instalátora tohoto systému.



Produkt podporuje použití široké škály periferních zařízení od různých výrobců. HEIDENHAIN nemůže poskytnout žádné prohlášení o konkrétních bezpečnostních opatřeních, která mají být přijata pro tato zařízení. Bezpečnostní opatření uvedená v příslušných dokumentacích musí být dodržena. Pokud nebyla dodána žádná taková informace, musí se získat od příslušných výrobců.

Specifická bezpečnostní opatření požadovaná pro jednotlivé činnosti prováděné na výrobku jsou uvedena v příslušných kapitolách těchto pokynů.

2.6.1 Symboly v návodech

V této příručce jsou použity následující symboly:

Symbol	Význam
	Označuje informaci, které varuje před zraněním osob
	Označuje zařízení citlivá na statickou elektřinu (ESD)
	ESD-náramek pro osobní uzemnění

2.6.2 Symboly na produktu

K označení produktu smějí být užity následující symboly:

Symbol	Význam
	Dodržovat bezpečnostní opatření, týkající se elektriky a přívodu energie před připojením výrobku
	Svorka uzemnění podle IEC 60417 - 5017. Dodržujte pokyny k instalaci.

2.6.3 Dodržujte bezpečnostní instrukce týkající se elektřiny.

VAROVÁNÍ

Nebezpečí dotyku částí pod napětím při otevření produktu.

Mohlo by dojít k úrazu elektrickým proudem, popálení nebo úmrtí.

- ▶ Nikdy kryt neotevírejte
- ▶ Přístup do vnitřku výrobku je povolen pouze výrobcí

VAROVÁNÍ

Riziko nebezpečného množství elektřiny procházející lidským tělem při přímém nebo nepřímém kontaktu s elektrickými částmi pod napětím.

Mohlo by dojít k úrazu elektrickým proudem, popálení nebo úmrtí.

- ▶ Práce na elektrickém systému a elektrických součástkách pod napětím musí provádět pouze kvalifikovaný odborník
- ▶ Pro připojení napájení a všech spojů rozhraní použijte pouze kabely a konektory, které jsou v souladu s platnými normami
- ▶ Nechte vadné elektrické komponenty okamžitě vyměnit u výrobce
- ▶ Pravidelně kontrolujte všechny připojené kabely a všechny konektory na výrobku. Vady, jako jsou uvolněné spoje nebo opálené kabely, musí být okamžitě odstraněny

UPOZORNĚNÍ

Poškození vnitřních částí produktu!

Otevření výrobku bude mít za následek propadnutí záruky.

- ▶ Nikdy kryt neotevírejte
- ▶ Přístup do vnitřku výrobku je povolen pouze výrobcí

3 Přeprava a skladování

3.1 Přehled

Tato kapitola obsahuje všechny informace nezbytné pro přepravu a skladování výrobku a poskytuje přehled dodaných položek a dostupného příslušenství pro produkt.

3.2 Vybalení

- ▶ Otevřete horní víko krabice
- ▶ Odeberte obalové materiály
- ▶ Vybalte obsah
- ▶ Zkontrolujte úplnost dodávky
- ▶ Zkontrolujte poškození dodávky

3.3 Dodané položky a příslušenství

Dodané položky

S produktem se dodávají následující položky:

- Produkt
- Napájecí šňůra (1197250-0x, 1197251-0x, 1197252-0x)
- Pokyny k instalaci
- Příklad (nepovinné)
Další informace: "Poznámky ke čtení dokumentace",
Stránka 55

Příslušenství

Následující položky jsou volitelně k dispozici a lze je objednat u firmy HEIDENHAIN jako doplňkové příslušenství:

Příslušenství	Číslo dílce
Jednoduchý stojan Single-Pos Pro pevné uchycení, úhel sklonu 20°	1197273-01
Naklopitelný držák Multi-Pos Pro upevnění na rameni, plynule naklopitelný a výkyvný	1197273-02
Montážní rám Pro montáž do panelu. Kompatibilní pouze s produkty DRO 203 a DRO 30x.	1197274-01
Kryt Pro ochranu proti špíně a nečistotě	1197275-01
KT 130 vyhledávač hran Pro snímání obrobku (nastavení referenčních bodů). Kompatibilní pouze s produkty DRO 30x.	283273-xx
IOB 610 Pro přepínání vstupní a výstupní funkce. Kompatibilní pouze s produkty DRO 30x.	1197271-01

3.4 V případě poškození při dopravě

- ▶ Nechte si od dopravce potvrdit poškození
- ▶ Ponechte si obalové materiály pro kontrolu
- ▶ Informujte odesílatele o škodě
- ▶ S požadavky na náhradní díly se obraťte na svého distributora nebo výrobce stroje.



V případě poškození při dopravě:

- ▶ Ponechte si obalové materiály pro kontrolu
- ▶ Kontaktujte fu HEIDENHAIN nebo výrobce stroje

To platí i tehdy, když došlo k poškození požadovaných náhradních dílů během přepravy.

3.5 Přebalení a skladování

Přebalte a pečlivě uložte produkt v souladu s níže uvedenými podmínkami.

Přebalování

Přebalení by mělo odpovídat původnímu balení tak přesně, jak je to možné.

- ▶ Připojte všechny úchytné díly a ochranné kryty proti prachu na výrobek nebo je znovu zabalte stejným způsobem jak byly původně dodány z výroby.
- ▶ Zabalte znovu výrobek tak, aby byl chráněn před nárazy a vibracemi během přepravy
- ▶ Zabalte znovu výrobek tak, aby byl chráněn před vstupem prachu nebo vlhkosti
- ▶ Umístěte všechno příslušenství, které bylo obsaženo v originálním balení

Další informace: "Dodané položky a příslušenství",
Stránka 59

- ▶ Včetně Dodatku (pokud byl zařazen do dodaných položek), Pokynů k instalaci a Návodu k obsluze

Další informace: "Uložení a distribuce dokumentace",
Stránka 56



Pokud vracíte výrobek k opravě do servisní agentury:

- ▶ Pošlete produkt bez příslušenství, bez snímačů a bez periferních zařízení.

Skladování produktu

- ▶ Zabalte produkt jak je uvedeno výše.
- ▶ Dodržujte specifické podmínky prostředí
- ▶ Zkontrolujte, zda není produkt poškozen po jakékoliv dopravě nebo po delší době skladování

4 Montáž

4.1 Přehled

Tato kapitola obsahuje veškeré údaje nezbytné pro montáž produktu,



Následující kroky musí provádět pouze kvalifikovaný personál.

Další informace: "Kvalifikace personálu", Stránka 57

4.2 Montáž

Obecné informace o uchycení

Držák pro montážní varianty je na zadním panelu. Připojení je kompatibilní s VESA standardem 100 mm x 100 mm.

DRO 10x: **Další informace:** "G", Stránka 125

DRO 203, DRO 30x: **Další informace:** "K", Stránka 126

Materiál pro připevnění montážních variant na zařízení je součástí dodávky.

Budete také potřebovat:

- Šroubovák Torx T20
- Imbusový klíč 2,5 mm
- Nástrčný klíč 7 mm
- Materiál pro upevnění na opěrné ploše



Produkt musí být namontován na podstavec nebo držák k zajištění správného a zamýšleného provozu výrobku.

Vedení kabelů



Na obrázcích ukazujících stojan a držák, najdete návrhy pro vedení kabelů po montáži.

Jednoduchý stojan Single-Pos: **Další informace:** "C", Stránka 4

Naklopitelný držák Multi-Pos: **Další informace:** "D", Stránka 4

Montážní rám: **Další informace:** "E", Stránka 4

Při montáži na stojan:

- ▶ Spojte kabely dohromady
- ▶ Vedte kabely spolu přes otvor ve stojanu zezadu
- ▶ Vedte kabely bočně ke spojům

Při montáži na držák:

- ▶ Spojte kabely dohromady
- ▶ Vedte kabely bočně ke spojům
- ▶ Zajistěte kabely k rameni s kabelovými spojkami

4.2.1 Uchycení na jednoduchý stojan

Jednoduchý stojan umožňuje umístit produkt na povrchu pod úhlem sklonu 20° nebo přišroubovat produkt na povrch.

Namontujte stojan do horních otvorů se závitem VESA 100 na zadním panelu přístroje

- ▶ Použijte šroubovák Torx T20 k utažení šroubů se zapuštěnou hlavou M4 x 8 ISO 14581, který je součástí dodávky
- ▶ Dodržujte povolený utahovací moment 2,6 Nm

Zajistěte výrobek proti pohybu během provozu

- ▶ Upevněte dodané samolepicí pryžové podložky na spodní stranu výrobku
- ▶ Pokud produkt nebudete šroubovat k povrchu, upevněte dodané samolepicí pryžové podložky na spodní stranu stojanu



Připevněte gumové podložky ke stojanu pouze v případě, že produkt nešroubovujete k povrchu.

Další informace: "C", Stránka 4

Rozměry jednoduchého stojanu

DRO 10x: **Další informace:** "H", Stránka 125

DRO 203, DRO 30x: **Další informace:** "L", Stránka 127

4.2.2 Uchycení na naklopitelný držák

Namontujte držák do spodních otvorů VESA 100 se závitem na zadním panelu přístroje

- ▶ Použijte šroubovák Torx T20 k utažení šroubů se zapuštěnou hlavou M4 x 10 ISO 14581, (černé), který je součástí dodávky
- ▶ Dodržujte povolený utahovací moment 2,5 Nm

Můžete si naklonit a otočit držák do úhlu, který vám umožní pohodlně zobrazit indikaci.

Další informace: "D", Stránka 4

Rozměry naklopitelného držáku

DRO 10x: **Další informace:** "I", Stránka 126

DRO 203, DRO 30x: **Další informace:** "M", Stránka 127

4.2.3 Uchycení na montážní rám



Montážní rám je kompatibilní pouze s produkty DRO 203 a DRO 30x.

Montážní rám vám umožňuje montáž přístroje do panelu.

Namontujte zadní desku rámu do VESA 100 otvorů se závitem na zadním panelu přístroje

- ▶ Použijte imbusový klíč 2,5 mm k utažení šroubů se zapuštěnou hlavou M4 x 6 ISO 7380, který je součástí dodávky
- ▶ Dodržujte povolený utahovací moment 2,6 Nm

Namontujte zadní desku a produkt k čelní desce rámu

- ▶ Použijte imbusový klíč 7 mm k utažení šroubů M4 ISO 10511, který je součástí dodávky
- ▶ Dodržujte povolený utahovací moment 3,5 Nm

Namontujte rám a indikaci do panelu

- ▶ Dodržujte montážní pokyny v dokumentaci dodané s montážním rámem pro výřez v panelu a způsob uchycení

Další informace: "E", Stránka 4

Rozměry montážního rámu

Další informace: "N", Stránka 127

4.2.4 Montáž krytu

Kryt chrání produkt proti špíně a nečistotě.

Nasadte kryt na produkt

- ▶ Nasadte kryt přes produkt
- ▶ Srovnejte kryt a produkt na pravé straně, při pohledu zepředu

Namontujte k produktu kryt

- ▶ Odstraňte kryty lepicí pásky z lepicích jazýčků
- ▶ Ohněte lepicí jazýčky směrem k výrobku
- ▶ Přitiskněte lepicí jazýčky proti produktu a tím zajistěte jazýčky na produktu.

5 Instalace

5.1 Přehled

Tato kapitola obsahuje veškeré údaje nezbytné pro instalaci produktu,



Následující kroky musí provádět pouze kvalifikovaný personál.

Další informace: "Kvalifikace personálu", Stránka 57

5.2 Všeobecné informace

UPOZORNĚNÍ

Připojení a rozpojení přípojných prvků!

Riziko poškození vnitřních komponentů.

- ▶ Nezapojujte ani neodpojujte žádné přípojky, pokud je jednotka pod napětím

UPOZORNĚNÍ

Elektrostatický výboj (ESD)!

Tento výrobek obsahuje citlivé komponenty, které se mohou zničit elektrostatickým výbojem (ESD).

- ▶ Je bezpodmínečně nutné dodržovat bezpečnostní opatření pro práci s prvky, citlivými na ESD.
- ▶ Nikdy se nedotýkejte pinů konektoru bez vhodného uzemnění
- ▶ Při manipulaci s přípojkami produktu noste uzemněný ESD-náramek

UPOZORNĚNÍ

Nesprávné přiřazení pinu!

To může způsobit poruchu výrobku nebo jeho poškození.

- ▶ Přiřazujte pouze piny nebo vodiče, které jsou používány

5.3 Přehled produktu

Přípojky na zadním panelu zařízení jsou chráněny krytkami proti prachu před znečištěním a poškozením.

UPOZORNĚNÍ

Ke znečištění nebo poškození může dojít pokud chybí ochranné krytky proti prachu!

To může zhoršit správnou funkci kontaktů nebo je zničit.

- ▶ Krytky proti prachu sundávejte pouze při připojování senzorů nebo periferních zařízení
- ▶ Pokud odstraníte senzor nebo periférii, připojte znovu víčko proti prachu k přípojce



Typ a počet přípojek se může lišit v závislosti na verzi produktu.

Zadní panel bez krytek proti prachu

DRO 10x: **Další informace:** "A", Stránka 3

DRO 203, DRO 30x: **Další informace:** "B", Stránka 3

Zadní panel

- 1 Hlavní vypínač a připojení napájení
- 2 Svorka uzemnění podle IEC 60417 - 5017
- 3 **X31:** USB 2.0 Rychlé připojení (typ C) pro velkokapacitní USB-flashdisk a připojení k PC (pod ochranným krytem)
- 4 **X1 až X4:** Varianta přístroje s 9-pinovým D-sub připojením pro kodéry s TTL-rozhraním
- 5 **X10:** 15-pinové D-Sub připojení pro dotykové sondy a pomocná zařízení (např. dotykové sondy HEIDENHAIN, IOB). K dispozici pouze pro produkty DRO 30x.

5.4 Připojení kodérů

- ▶ Sundejte a uložte krytky proti prachu
- ▶ Ved'te kabely podle verze uchycení

Další informace: "Montáž", Stránka 60

- ▶ Připojte pevně kabely kodéru k příslušným přípojkám

Další informace: "Přehled produktu", Stránka 62

- ▶ Mají-li konektory kabelů zajišťovací šroubky, tak je nedotahujte příliš silně

Uspořádání pinů X1 až X4

Další informace: "O", Stránka 128

5.5 Připojení USB-zařízení

- ▶ Otevřít krytku proti prachu
- ▶ Připojit USB-zařízení nebo kabel k příslušné přípojce

Další informace: "Přehled produktu", Stránka 62

Uspořádání pinů X31

Další informace: "P", Stránka 128

5.6 Připojení dotykové sondy



Následující dotyková sonda se může připojit k produktu DRO 30x:

- Hledač hran HEIDENHAIN KT 130

Další informace: "Příslušenství", Stránka 59

- ▶ Sundejte a uložte krytky proti prachu
- ▶ Ved'te kabely podle verze uchycení

Další informace: "Montáž", Stránka 60

- ▶ Připojte dotykovou sondu do konektoru X10.

Další informace: "Přehled produktu", Stránka 62

- ▶ Mají-li konektory kabelů zajišťovací šroubky, tak je nedotahujte příliš silně

Uspořádání pinů X10

Další informace: "Q", Stránka 128

5.7 Připojení síťového napětí

VAROVÁNÍ

Nebezpečí úrazu elektrickým proudem!

Nesprávné uzemnění elektrických přístrojů může způsobit vážné zranění nebo usmrcení elektrickým proudem.

- ▶ Vždy používejte 3vodičové napájecí šňůry
- ▶ Ujistěte se, že ochranný vodič je správně připojen k uzemnění elektroinstalace budovy

VAROVÁNÍ

Použití napájecí šňůry, která nesplňuje vnitrostátní požadavky příslušné země, v níž je výrobek namontován znamená riziko požáru.

Nesprávné uzemnění elektrických přístrojů může způsobit vážné zranění nebo usmrcení elektrickým proudem.

- ▶ Používejte pouze napájecí šňůry, které splňují alespoň vnitrostátní požadavky příslušné země, v níž je výrobek namontován.

- ▶ Použijte napájecí šňůru, která splňuje požadavky na připojení napájení do uzemněné zásuvky se 3 vodiči

Další informace: "Přehled produktu", Stránka 62

Rozložení pinů napájení

Další informace: "R", Stránka 128

6 Specifikace

6.1 Specifikace výrobku

Produkt

Pouzdro	Hliníkový odlitek
Rozměry tělesa	DRO 10x <ul style="list-style-type: none">285 mm x 160 mm x 46 mm DRO 203, DRO 30x <ul style="list-style-type: none">285 mm x 180 mm x 46 mm
Systém uchycení, spojovací rozměry	VESA MIS-D, 100 100 mm x 100 mm

Displej

Vizuální zobrazovací jednotka	<ul style="list-style-type: none">LCD širokoúhlý (15: 9) barevný displej 17,8 cm (7")800 x 480 pixelů
Uživatelské rozhraní	Uživatelské rozhraní (GUI) s klávesnicí

Elektrické údaje

Napájení	<ul style="list-style-type: none">AC 100 V ... 240 V (±10 %)50 Hz ... 60 Hz (±5 %)Příkon max. 30 W
----------	--

Kategorie přepětí	II
-------------------	----

Počet vstupů kodéru	DRO 10x <ul style="list-style-type: none">1, 2 nebo 3 DRO 203 <ul style="list-style-type: none">3 DRO 30x <ul style="list-style-type: none">3 nebo 4
---------------------	--

Rozhraní kodéru	TTL: Max. proud 300 mA max. vstupní frekvence 500 kHz
-----------------	--

KT 130, IOB 610 rozhraní	DC 5 V (±5 %)
--------------------------	---------------

Datové rozhraní	USB 2.0Hi-Speed (typ C), max. proud 500 mA
-----------------	--

Podmínky okolního prostředí

Provozní teplota	0 °C ... 45 °C
Skladovací teplota	-20 °C ... 70 °C
Relativní vlhkost vzduchu	40 % ... 80 % r.v., bez kondenzace
Nadmořská výška	≤ 2000 m

Všeobecné informace

Směrnice	<ul style="list-style-type: none">Směrnice EMC 2014/30/EUSměrnice o nízkém napětí 2014/35/EU
Stupeň znečištění	2
Ochrana EN 60529	<ul style="list-style-type: none">Přední panel a postranní panely: IP 54Zadní panel: IP 40
Hmotnost	DRO 10x <ul style="list-style-type: none">1,5 kgS jednoduchým stojanem Single-Pos: 1,6 kgS naklopitelným držákem Multi-Pos: 1,9 kg DRO 203, DRO 30x <ul style="list-style-type: none">1,9 kgS jednoduchým stojanem Single-Pos: 2,0 kgS naklopitelným držákem Multi-Pos: 2,3 kgS montážním rámem: 3,3 kg

6.2 Rozměry produktu a spojení

Další informace: Stránka 125 a další stránky.
Všechny rozměry v nákresech jsou v mm.

1 Podstawy

1.1 O niniejszej instrukcji

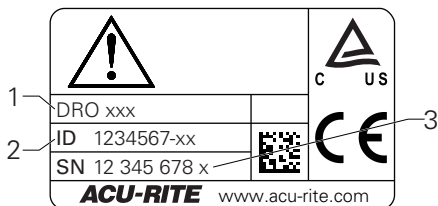
Niniejsza instrukcja zawiera wszystkie informacje oraz wskazówki dotyczące bezpieczeństwa, dla fachowego montażu oraz instalacji urządzenia.

1.2 Informacje o produkcie

Oznaczenie produktu	Numer części
DRO 101 1 oś	1197252-xx
DRO 102 2 osie	
DRO 103 3 osie	
DRO 203 3 osie	1197250-xx
DRO 303 3 osie i złącze dla IOB 610/KT 130	1197251-xx
DRO 304 4 osie i złącze dla IOB 610/KT 130	

Etykieta typu znajduje się na tylnej stronie urządzenia.

Przykład:



- 1 Oznaczenie produktu
- 2 Numer części
- 3 Indeks

Okres obowiązywania dokumentacji

Przed użyciem dokumentacji i urządzenia należy skontrolować, czy dokumentacji oraz urządzenie są ze sobą zgodne.

- ▶ Podany w dokumentacji numer części oraz indeks porównać z odpowiednimi danymi na tabliczce typu urządzenia
- ▶ Jeśli numery części oraz indeksy są zgodne, to dokumentacja posiada ważność użytkową



Jeśli numery części i indeksy nie są zgodne a tym samym dokumentacja nie jest ważna, to można pobrać aktualną dokumentację urządzenia na www.acu-rite.com.

1.3 Wskazówki dotyczące czytania dokumentacji

Następująca tabela zawiera części składowe dokumentacji w kolejności ich priorytetu przy czytaniu.

⚠ OSTRZEŻENIE

Wypadki śmiertelne, obrażenia lub szkody materialne przy nieuwzględnianiu dokumentacji!

Jeśli informacje zawarte w dokumentacji nie są uwzględniane, to może dojść do wypadków nawet śmiertelnych, obrażeń jak i szkód materialnych.

- ▶ Dokumentację uważnie i w całości przeczytać
- ▶ Przechowywać dokumentację w łatwo dostępnym miejscu do wglądu

Dokumentacja	Opis
Dodatek	Dodatek uzupełnia lub zamienia odpowiednie treści instrukcji obsługi oraz w razie potrzeby także instrukcji instalacji. Jeśli ten dokument zawarty jest w dostawie, to musi zostać przeczytany w pierwszej kolejności. Wszystkie pozostałe treści dokumentacji zachowują swoją ważność.
Instrukcja instalacji	Instrukcja instalacji zawiera wszystkie informacje oraz wskazówki dotyczące bezpieczeństwa, dla fachowego montażu oraz instalacji urządzenia. Jako wyciąg z instrukcji obsługi jest ona zawarta w każdej dostawie. Posiada ona drugi co do ważności priorytet przy czytaniu.
Instrukcja eksploatacji	Instrukcja eksploatacji zawiera wszystkie informacje oraz wskazówki dotyczące bezpieczeństwa, dla fachowej oraz przewidzianej z przeznaczeniem eksploatacji. Posiada ona trzeci co do ważności priorytet przy czytaniu. Dokumentacja dostępna jest w strefie pobierania pod www.acu-rite.com . Przed włączeniem urządzenia do eksploatacji należy wydrukować instrukcję eksploatacji.
Dokumentacja podłączonych enkoderów jak i pozostałej peryferii	Te dokumenty nie są zawarte w dostawie. Są one dostarczane wraz z odpowiednimi urządzeniami pomiarowymi i peryferyjnymi.

Pożądane są zmiany lub stwierdzono błąd?

Nieprzerwanie staramy się ulepszać naszą dokumentację. Proszę pomóc nam przy tym i komunikować sugestie dotyczące zmian pod następującym adresem mailowym:

userdoc@acu-rite.de

1.4 Przechowywanie i udostępnianie dokumentacji

Niniejsza instrukcja powinna być przechowywana w bezpośredniej bliskości miejsca pracy i w każdej chwili być dostępna dla personelu. Właściciel powinien poinformować personel o miejscu przechowywania tej instrukcji. Jeśli instrukcja nie jest więcej czytelna, to powinna ona zostać zamieniona na nową u producenta urządzenia.

Przy przekazaniu lub sprzedaży urządzenia osobom trzecim należy przekazać następujące dokumenty nowemu posiadaczowi:

- Dodatek, jeśli dostępny
- Instrukcja instalacji
- Instrukcja eksploatacji

1.5 Grupa docelowa instrukcji

Instrukcja instalacji musi zostać przeczytana oraz być uwzględniana przez każdą osobę, wykonującą następujące prace:

- Montaż
- Instalacja

1.6 Wskazówki w tej dokumentacji

Wskazówki dotyczące bezpieczeństwa

Proszę uwzględniać wszystkie wskazówki bezpieczeństwa w niniejszej instrukcji oraz w dokumentacji producenta obrabiarek!

Wskazówki bezpieczeństwa ostrzegają przed zagrożeniami przy pracy na urządzeniu oraz zawierają opis środków dla ich unikania. Wskazówki bezpieczeństwa są klasyfikowane według stopnia zagrożenia i podzielone są na następujące kategorie:

⚠ NIEBEZPIECZEŃSTWO

Niebezpieczeństwo sygnalizuje zagrożenia dla osób. Jeśli instrukcja unikania zagrożeń nie jest uwzględniana, to zagrożenie prowadzi **pewnie do wypadków śmiertelnych lub ciężkich obrażeń ciała**.

⚠ OSTRZEŻENIE

Ostrzeżenie sygnalizuje zagrożenia dla osób. Jeśli instrukcja unikania zagrożeń nie jest uwzględniana, to zagrożenie prowadzi **przypuszczalnie do wypadków śmiertelnych lub ciężkich obrażeń ciała**.

⚠ UWAGA

Uwaga sygnalizuje zagrożenia dla osób. Jeśli instrukcja unikania zagrożeń nie jest uwzględniana, to zagrożenie prowadzi **przypuszczalnie do lekkich obrażeń ciała**.

WSKAZÓWKA

Wskazówka sygnalizuje zagrożenia dla przedmiotów lub danych. Jeśli instrukcja unikania zagrożeń nie jest uwzględniana, to zagrożenie prowadzi **przypuszczalnie do powstania szkody materialnej**.

Wskazówki informacyjne:

Proszę uwzględniać wskazówki informacyjne w niniejszej instrukcji dla bezbłędnego i efektywnego wykorzystywania urządzenia.

W niniejszej instrukcji znajdują się następujące wskazówki informacyjne:



Symbol informacji oznacza **podpowieź**. Podpowieź podaje ważne dodatkowe lub uzupełniające informacje.



Symbol kółka zębatego wskazuje, iż opisywana funkcja jest **zależna od obrabiarki**, np.

- obrabiarka powinna dysponować konieczną opcją software lub hardware
- Zachowanie funkcji zależy od konfigurowalnych ustawień obrabiarki



Symbol podręcznika wskazuje na **odsyłacz** do zewnętrznych dokumentacji, np. dokumentacji producenta obrabiarki lub innego dostawcy.

2 Bezpieczeństwo

2.1 Ogólne środki bezpieczeństwa

Dla eksploatacji systemu obowiązują ogólnie przyjęte środki bezpieczeństwa, jakie konieczne są w szczególności w przypadku obsługi urządzeń przewodzących prąd. Niedotrzymywanie tych przepisów może spowodować uszkodzenia urządzenia lub szkody dla zdrowia obsługi.

Przepisy bezpieczeństwa mogą różnić się od siebie w zależności od przedsiębiorstwa. W przypadku konfliktu pomiędzy treścią niniejszej krótkiej instrukcji i wewnętrznymi przepisami oraz zasadami obowiązującymi w danej firmie, w której eksploatowane jest to urządzenie, należy kierować się bardziej surowymi przepisami bezpieczeństwa.

2.2 Wykorzystywanie zgodnie z przepisami

W przypadku urządzeń serii DRO 100, DRO 200 i DRO 300 mowa o znakomitych urządzeniach odczytu cyfrowego położenia do eksploatacji na obsługiwanych ręcznie obrabiarkach. W kombinacji z enkoderami pomiaru długości i kąta urządzenia odczytu cyfrowego położenia serii DRO 100, DRO 200 oraz DRO 300 pokazują pozycję narzędzia w kilku osiach oraz udostępnia dalsze funkcje dla pracy na obrabiarce.

Urządzenia serii DRO 100, DRO 200 i DRO 300:

- mogą być eksploatowane wyłącznie w aplikacjach przemysłowych i w sferze produkcji
- muszą zostać zamontowane na odpowiedniej nóżce stojakowej lub w uchwycie, aby zapewnić w ten sposób prawidłowe i zgodne z przeznaczeniem eksploatowanie urządzenia
- są przewidziane do eksploatacji w zamkniętych pomieszczeniach i w otoczeniu wolnym od wilgoci, zabrudzenia, olejów i smarów odpowiednio do wymogów zawartych w opisie danych technicznych



Urządzenia serii DRO 100, DRO 200 oraz DRO 300 wspomagają zastosowanie znacznej ilości urządzeń peryferyjnych różnych fabrykatów. HEIDENHAIN nie ponosi odpowiedzialności za eksploatację tych urządzeń peryferyjnych. Informacje odnośnie zgodnego z przeznaczeniem wykorzystania w przynależnych dokumentacjach muszą być uwzględniane.

2.3 Wykorzystywanie niezgodne z przeznaczeniem

Przy eksploatacji urządzenia nie może dochodzić do zagrożeń dla personelu. Jeśli takie zagrożenia mają miejsce, to jednostka działalności produkcyjnej powinna podjąć odpowiednie środki zapobiegawcze.

Niedopuszczalne są następujące rodzaje eksploatacji:

- eksploatacja i magazynowanie poza zakresem danych technicznych
- eksploatacja na wolnym powietrzu
- eksploatacja na obszarach zagrożonych eksplozjami
- eksploatacja urządzenia jako komponentu funkcji bezpieczeństwa

2.4 Kwalifikacja personelu

Personel dla montażu i instalacji musi posiadać odpowiednie kwalifikacje dla tych prac a także być w dostatecznym stopniu poinformowany dzięki dokumentacji urządzenia i podłączonej peryferii.

Wymogi wobec personelu, koniecznego dla wykonywania pojedynczych czynności na urządzeniu są podane odpowiednich rozdziałach niniejszej instrukcji.

Poniżej są dokładniej opisane grupy osób, związanych z montażem i instalacją, odnośnie ich kwalifikacji oraz zadań.

Personel fachowy

Personel fachowy jest szkolony odnośnie rozszerzonej eksploatacji i obsługi oraz parametryzowania. Personel fachowy jest w stanie na podstawie swojego przygotowania, wiedzy i doświadczenia oraz znajomości odpowiednich uwarunkowań wykonywać zlecane zadania wchodzące w zakres odpowiedniej aplikacji a także może samodzielnie rozpoznawać zagrożenia i ich unikać.

Fachowiec elektrotechnik

Fachowiec elektrotechnik jest w stanie na podstawie swojego przygotowania, wiedzy i doświadczenia oraz znajomości odpowiednich norm i uwarunkowań wykonywać prace na zespołach elektrycznych a także może samodzielnie rozpoznawać zagrożenia i ich unikać. Fachowiec elektrotechnik jest przygotowany specjalnie do pracy w danym zakresie.

Elektrotechnik musi wypełniać przepisy obowiązującego prawa bezpieczeństwa pracy dla zapobiegania awarii i wypadków.

2.5 Obowiązki przedsiębiorcy

Przedsiębiorca znajduje się w posiadaniu urządzenia i peryferii lub dokonuje ich najmu. Jest on zawsze odpowiedzialny za przewidzianą przeznaczeniem eksploatację.

Przedsiębiorca musi:

- zlecać rozmaite zadania przy pracy na urządzeniu wykwalifikowanemu personelowi, posiadającemu odpowiednie przygotowanie oraz autoryzację
- Szkolić personel sprawdzalnie odnośnie kompetencji i zadań
- Udostępnić wszelkie środki, konieczne dla personelu, do wypełnienia poleconych zadań
- zapewnić, iż urządzenie eksploatowane jest wyłącznie w nienagannym stanie technicznym
- zapewnić, iż urządzenie jest zabezpieczone przed niedozwoloną eksploatacją

2.6 Ogólne wskazówki bezpieczeństwa



Odpowiedzialność za bezpieczeństwo systemu, w którym używane jest to urządzenie, nosi monter lub instalujący ten system.



Urządzenie wspomaga wykorzystywanie wielu urządzeń peryferyjnych rozmaitych producentów. HEIDENHAIN nie może brać odpowiedzialności za środki bezpieczeństwa konieczne w przypadku tych urządzeń oraz wyszczególniać specyfikę tych środków. Wskazówki dotyczące bezpieczeństwa tych urządzeń w odpowiedniej dokumentacji muszą być uwzględniane. Jeśli nie są one dostępne, to należy uzyskać je u producenta.

Specyficzne wskazówki odnośnie bezpieczeństwa, które należy uwzględnić przy pojedynczych czynnościach na urządzeniu, podane są w odpowiednich rozdziałach niniejszej instrukcji.

2.6.1 Symbole w instrukcji

W niniejszej instrukcji wykorzystywane są następujące symbole bezpieczeństwa:

Symbol	Znaczenie
	Oznacza wskazówki, ostrzegające przed obrażeniami personelu
	Oznacza elektrostatycznie zagrożone elementy konstrukcji (EGB)
	Opaska na nadgarstek ESD dla uziemienia personelu

2.6.2 Symbole na urządzeniu

Urządzenie jest odznaczone następującymi symbolami:

Symbol	Znaczenie
	Proszę uwzględnić wskazówki ostrzegawcze odnośnie elektryki i podłączenia do sieci, zanim podłączymy urządzenie
	Złącze uziemienia zgodnie z IEC 60417 - 5017 Proszę uwzględnić wskazówki dotyczące instalacji.

2.6.3 Wskazówki bezpieczeństwa dla elektryki

⚠ OSTRZEŻENIE

Niebezpieczny kontakt z elementami pod napięciem przy otwarciu urządzenia.

Elektryczny szok, porażenia lub wypadki śmiertelne mogą być skutkiem niewłaściwego otwierania.

- ▶ W żadnym wypadku nie otwierać obudowy urządzenia
- ▶ Wszelkiego rodzaju odkrywanie obudowy musi być dokonywane przez producenta

⚠ OSTRZEŻENIE

Zagrożenie niebezpiecznego przepływu przez ciało przy bezpośrednim lub pośrednim kontakcie z elementami pod napięciem.

Elektryczny szok, porażenia lub wypadki śmiertelne mogą być skutkiem niewłaściwego otwierania.

- ▶ Prace z układami elektrycznymi i komponentami przewodzącymi prąd należy zlecać wyłącznie wyszkolonemu fachowcowi
- ▶ Dla złącza sieciowego oraz wszystkich innych złącz i portów używać wyłącznie odpowiadających normom kabli i wtyczek
- ▶ Defekty elektrycznych komponentów należy wymienić natychmiast komponentami producenta
- ▶ Wszystkie podłączone kable oraz gniazda złącz urządzenia sprawdzać regularnie. Wady, np. poluzowane złącza lub nadtopione kable natychmiast usuwać

WSKAZÓWKA

Uszkodzenie wewnętrznych komponentów urządzenia!

W przypadku otwarcia urządzenia wygasają warunki gwarancyjne i sama gwarancja.

- ▶ W żadnym wypadku nie otwierać obudowy urządzenia
- ▶ Wszelkiego rodzaju odkrywanie obudowy musi być dokonywane przez producenta

3 Transport i magazynowanie

3.1 Przegląd

Ten rozdział zawiera wszystkie informacje odnośnie transportu i magazynowania jak i zakresu dostawy oraz oprzyrządowania urządzenia.

3.2 Wypakowanie urządzenia

- ▶ Otworzyć karton na górze
- ▶ Usunąć materiał pakowania
- ▶ Wyjąć zawartość
- ▶ Sprawdzić kompletność dostawy
- ▶ Sprawdzić dostawę na uszkodzenia

3.3 Zakres dostawy i akcesoria

Zakres dostawy

W dostawie zawarte są następujące artykuły:

- Urządzenie
- Kabel sieciowy (1197250-0x, 1197251-0x, 1197252-0x)
- Instrukcja instalacji
- Dodatek (opcjonalnie)
Dalsze informacje: "Wskazówki dotyczące czytania dokumentacji", Strona 65

Oprzyrządowanie

Następujące artykuły dostępne są opcjonalnie i mogą zostać zamówione dodatkowo w HEIDENHAIN jako akcesoria oprzyrządowania:

Oprzyrządowanie	Numer części
Nóżka stojakowa Single-Pos dla sztywnego montażu, kąt nachylenia 20°	1197273-01
Uchwyt Multi-Pos dla zamocowania na ramieniu montażowym, bezstopniowo obracalny i nachylany	1197273-02
Rama montażowa dla zamontowania na pulpicie obsługi. Tylko kompatybilna z urządzeniami serii DRO 203 i DRO 30x.	1197274-01
Pokrywa ochronna dla zabezpieczenia przed zabrudzeniem i odłamkami	1197275-01
Czujnik krawędziowy KT 130 dla próbkowania obrabianego detalu (określanie punktów odniesienia). Tylko kompatybilny z urządzeniami serii DRO 30x.	283273-xx
IOB 610 dla funkcji przełączania wejściowego/wyjściowego. Tylko kompatybilny z urządzeniami serii DRO 30x.	1197271-01

3.4 Jeśli stwierdzono szkody transportowe

- ▶ to należy uzyskać potwierdzenie tej szkody u spedytora
- ▶ Materiały pakowania przechowywać dla zbadania
- ▶ Powiadomić nadawcę o powstałych szkodach
- ▶ Proszę skontaktować się z przedstawicielem handlowym lub producentem odnośnie części zamiennych



Jeśli stwierdzono szkody transportowe:

- ▶ Materiały pakowania przechowywać dla zbadania
- ▶ HEIDENHAIN lub producenta obrabiarki skontaktować

Obowiązuje to także dla dostawy części zamiennych.

3.5 Ponowne pakowanie i magazynowanie

Proszę pakować i magazynować urządzenie ostrożnie i odpowiednio do ukazanych warunków.

Pakowanie urządzenia

Ponowne pakowanie powinno w jak największym stopniu odpowiadać oryginalnemu opakowaniu.

- ▶ Wszystkie komponenty montażowe i pokrywki przeciwpyłowe tak umieścić na urządzeniu, jak były one umiejscowione przy dostawie lub tak opakować, jak były one opakowane
- ▶ Tak opakować urządzenie, aby było ono zabezpieczone od uderzeń i wstrząsów przy transporcie
- ▶ Tak opakować urządzenie, aby pył i wilgoć nie przenikały do opakowania
- ▶ Wszystkie przesłane w dostawie części osprzętu włożyć do opakowania

Dalsze informacje: "Zakres dostawy i akcesoria", Strona 69

- ▶ Dodatek (jeśli w dostawie), instrukcję instalacji i instrukcję eksploatacji włożyć do opakowania

Dalsze informacje: "Przechowywanie i udostępnianie dokumentacji", Strona 66



W przypadku przesyłek naprawczych urządzenia do serwisu:

- ▶ Przesłać urządzenie bez osprzętu, bez enkoderów i bez peryferii

Magazynowanie urządzenia

- ▶ Zapakować urządzenie jak to opisano powyżej
- ▶ Uwzględnić regulacje odnośnie warunków otoczenia
- ▶ Sprawdzać urządzenie po każdym transporcie i po dłuższym magazynowaniu na uszkodzenia

4 Montaż

4.1 Przegląd

Ten rozdział zawiera wszystkie konieczne informacje do montażu urządzenia.



Następujące kroki mogą być przeprowadzane tylko przez wykwalifikowany personel.

Dalsze informacje: "Kwalifikacja personelu", Strona 67

4.2 Montaż

Ogólne wskazówki montażowe

Uchwyt dla wariantów montażu znajduje się w tylnej części urządzenia. Złącze jest kompatybilne ze standardem VESA 100 mm x 100 mm.

DRO 10x: **Dalsze informacje:** "G", Strona 125

DRO 203, DRO 30x: **Dalsze informacje:** "K", Strona 126

Materiał dla zamocowania wariantów montażu na urządzeniu jest dołączony w dostawie.

Dodatkowo konieczne są:

- Śrubokręt Torx T20
- Klucz imbusowy 2,5 mm
- Klucz nasadowy 7 mm
- Materiał do zamocowania na powierzchni ustawienia



Dla zgodnej z przeznaczeniem eksploatacji urządzenia należy zamontować je na nóżce stojakowej lub w uchwycie.

Układanie kabli



Na ilustracjach nóżki stojakowej i uchwytu znajdują się propozycje, jak po montażu nóżki lub uchwytu można układać kable.

Nóżka stojakowa Single-Pos: **Dalsze informacje:** "C", Strona 4

Uchwyt Multi-Pos: **Dalsze informacje:** "D", Strona 4

Rama montażowa: **Dalsze informacje:** "E", Strona 4

W przypadku montażu z nóżką stojakową:

- ▶ Połączyć kable
- ▶ Przeprowadzić kable wszystkie razem od tyłu przez otwór w nóżce
- ▶ Przeprowadzić kable z boku do odpowiednich złącz

W przypadku montażu z uchwycem:

- ▶ Połączyć kable
- ▶ Przeprowadzić kable z boku do odpowiednich złącz
- ▶ Zamocować kable przy pomocy opasek kablowych na ramieniu montażowym

4.2.1 Montaż na nóżce stojakowej Single-Pos

Przy pomocy nóżki Single-Pos można ustawić urządzenie pod kątem nachylenia 20° lub przykręcić do powierzchni podstawy.

Nóżkę zamocować w górnych odwiertach z gwintem VESA 100 na tylnej stronie urządzenia

- ▶ Śrubokrętem Torx T20 przykręcić przysłane w dostawie śruby z łbem wpuszczanym M4 x 8 ISO 14581
- ▶ Uwzględnić dopuszczalny moment dokręcania wynoszący 2,6 Nm

Zabezpieczyć urządzenie przed osuwaniem podczas obsługi

- ▶ Zamontować przesłane samoklejące stopki gumowe na dolnej części urządzenia
- ▶ Jeśli urządzenie nie zostaje przykręcone do powierzchni podstawy: samoklejące stopki gumowe zamontować w dolnej części nóżki stojakowej



Zamontować stopki gumowe tylko na nóżce stojakowej, jeśli urządzenie nie jest przykręcane do powierzchni podstawy.

Dalsze informacje: "C", Strona 4

Wymiary nóżki stojakowej Single-Pos

DRO 10x: **Dalsze informacje:** "H", Strona 125

DRO 203, DRO 30x: **Dalsze informacje:** "L", Strona 127

4.2.2 Montaż w uchwycie Multi-Pos

Uchwyt zamocować w dolnych odwiertach z gwintem VESA 100 na tylnej stronie urządzenia

- ▶ Śrubokrętem Torx T20 przykręcić przysłane w dostawie śruby z łbem wpuszczanym M4 x 10 ISO 14581 (czarne)
- ▶ Uwzględnić dopuszczalny moment dokręcania wynoszący 2,5 Nm

Uchwyt można tak nachylać i obracać, iż wartości wyświetlacza mogą być komfortowo odczytywane.

Dalsze informacje: "D", Strona 4

Wymiary uchwytu Multi-Pos

DRO 10x: **Dalsze informacje:** "I", Strona 126

DRO 203, DRO 30x: **Dalsze informacje:** "M", Strona 127

4.2.3 Montaż w ramie



Rama montażowa jest kompatybilna tylko z urządzeniami serii DRO 203 i DRO 30x.

Przy pomocy ramy montażowej urządzenie można zamontować na panelu obsługi.

Płytę tylną ramy zamocować w odwiertach z gwintem VESA 100 na tylnej stronie urządzenia

- ▶ Kluczem imbusowym 2,5 mm dokręcić przysłane śruby M4 x 6 ISO 7380
- ▶ Uwzględnić dopuszczalny moment dokręcania wynoszący 2,6 Nm

Płytę tylną wraz z urządzeniem zamocować na płycie frontowej ramy

- ▶ Kluczem nasadowym 7 mm dokręcić przysłane nakrętki M4 ISO 10511
- ▶ Uwzględnić dopuszczalny moment dokręcania wynoszący 3,5 Nm

Ramę montażową i odczyt położenia zamocować w pulpicie

- ▶ Informacje do montażu i wycinka pulpitu znajdują się w przesłanej wraz z ramą instrukcją montażu.

Dalsze informacje: "E", Strona 4

Wymiary ramy montażowej

Dalsze informacje: "N", Strona 127

4.2.4 Zamocowanie pokrywy ochronnej

Pokrywa ochronna zabezpiecza urządzenie przed zabrudzeniem i odłamkami

Uplasować pokrywę na urządzeniu

- ▶ Ułożyć pokrywę na urządzeniu
- ▶ Patrząc z przodu na urządzenie pokrywę ochronną i urządzenie ułożyć równo z prawej strony

Zamocować pokrywę na urządzeniu

- ▶ Zdjąć folię ochronną z pasków klejących
- ▶ Zagiąć paski klejące w kierunku do urządzenia
- ▶ Docisnąć paski klejące do urządzenia, tak aby pozostały pewnie przyklejone

5 Instalacja

5.1 Przegląd

Ten rozdział zawiera wszystkie konieczne informacje do instalacji urządzenia.



Następujące kroki mogą być przeprowadzane tylko przez wykwalifikowany personel.

Dalsze informacje: "Kwalifikacja personelu", Strona 67

5.2 Ogólne informacje

WSKAZÓWKA

Podłączenie i odłączenie połączeń wtykowych!

Niebezpieczeństwo uszkodzenia wewnętrznych komponentów.

- ▶ Dokonywanie połączeń i rozłączeń wtykowych tylko przy wyłączonym urządzeniu!

WSKAZÓWKA

Wyładowanie elektrostatyczne (ESD)!

Urządzenie zawiera zagrożone elektrostatycznie komponenty, które poprzez wyładowanie elektrostatyczne (ESD) mogą zostać uszkodzone.

- ▶ Uwzględnić koniecznie środki bezpieczeństwa przy eksploatacji wrażliwych na ESD komponentów
- ▶ Nie dotykać trzpieni złączeniowych lub pinów bez przewidzianego uziemienia
- ▶ Przy pracach podłączeniowych na urządzeniu nosić uziemioną bransoletę ESD

WSKAZÓWKA

Niewłaściwe obłożenie pinów!

Zakłócenia urządzenia lub defekty mogą być następstwem.

- ▶ Wyłącznie wykorzystywane piny lub sploty zajmować

5.3 Przegląd produktów

Złącza na tylnej stronie urządzenia są zabezpieczone pokrywkami przeciwpyłowymi przed zabrudzeniem i uszkodzeniem.

WSKAZÓWKA

Zabrudzenie lub uszkodzenie z powodu brakujących pokrywek przeciwpyłowych!

Kontakty złącz mogą zostać uszkodzone lub zniszczone.

- ▶ Pokrywki przeciwpyłowe usuwać tylko wtedy, kiedy są podłączane urządzenia pomiarowe lub peryferyjne
- ▶ Kiedy urządzenie pomiarowe lub peryferyjne zostanie usunięte, to pokrywkę przeciwpyłową nasadzić ponownie na złącze



Rodzaj i liczba portów jest różna, w zależności od modelu urządzenia.

Strona tylna urządzenia bez pokrywek przeciwpyłowych

DRO 10x: **Dalsze informacje:** "A", Strona 3

DRO 203, DRO 30x: **Dalsze informacje:** "B", Strona 3

Panel tylny

- 1 Włącznik sieciowy i złącze sieciowe
- 2 Złącze uziemienia zgodnie z IEC 60471 - 5017
- 3 **X31:** USB 2.0 Hi-Speed-port (typ C) dla pamięci masowej USB i podłączenia PC (pod pokrywą ochronną)
- 4 **X1 do X4:** wariant urządzenia z 9-biegunowymi Sub-D-złączami dla enkoderów z TTL-interfejsem
- 5 **X10:** 15-biegunowe Sub-D-złącze dla układów impulsowych (np. HEIDENHAIN-układ impulsowy, IOIB). Tylko dla urządzeń serii DRO 30x.

5.4 Podłączenie przyrządów pomiarowych

- ▶ Pokrywki przeciwpyłowe zdjąć i odłożyć dla przechowania
- ▶ Układać kabel w zależności od wariantu montażu

Dalsze informacje: "Montaż", Strona 70

- ▶ Kable urządzenia podłączyć do odpowiednich portów

Dalsze informacje: "Przegląd produktów", Strona 72

- ▶ Jeśli wtyki posiadają śruby: nie dociskać tych śrub zbyt mocno

Obłożenie złącz X1 do X4

Dalsze informacje: "O", Strona 128

5.5 Podłączyć pamięć USB

- ▶ Otworzyć pokrywkę ochronną
- ▶ Pamięć USB lub kabel podłączyć do odpowiedniego portu

Dalsze informacje: "Przegląd produktów", Strona 72

Obłożenie złącza X31

Dalsze informacje: "P", Strona 128

5.6 Podłączyć układ impulsowy



Do urządzeń serii DRO 30x można podłączyć następujący układ pomiarowy:

- HEIDENHAIN sonda krawędziowa KT 130

Dalsze informacje: "Oprzyrządowanie", Strona 69

- ▶ Pokrywki przeciwpyłowe zdjąć i odłożyć dla przechowania
- ▶ Układać kabel w zależności od wariantu montażu

Dalsze informacje: "Montaż", Strona 70

- ▶ Układ pomiarowy podłączyć mocno do złącza X10.

Dalsze informacje: "Przegląd produktów", Strona 72

- ▶ Jeśli wtyki posiadają śruby: nie dociskać tych śrub zbyt mocno

Obłożenie złącza X10

Dalsze informacje: "Q", Strona 128

5.7 Podłączyć napięcie zasilające

OSTRZEŻENIE

Niebezpieczeństwo porażenia prądem!

Nieprawidłowo uziemione urządzenia mogą prowadzić do poważnych obrażeń lub śmierci poprzez porażenie prądem.

- ▶ Zasadniczo używać 3-żyłowego kabla sieciowego
- ▶ Zapewnić właściwe podłączenie przewodu ochronnego do instalacji budynku.

OSTRZEŻENIE

Zagrożenie pożarem przy użyciu kabli sieciowych, nie spełniających krajowych wymogów co do miejsca zainstalowania.

Nieprawidłowo uziemione urządzenia mogą prowadzić do poważnych obrażeń lub śmierci poprzez porażenie prądem.

- ▶ Stosować tylko kabel sieciowy, spełniający przynajmniej wymogi krajowe co do jego miejsca zainstalowania.

- ▶ Podłączenie zasilania kablem, odpowiadającym wymogom, do gniazda z przewodem ochronnym

Dalsze informacje: "Przegląd produktów", Strona 72

Obłożenie złącza sieciowego

Dalsze informacje: "R", Strona 128

6 Dane techniczne

6.1 Dane techniczne urządzenia

Urządzenie

Korpus Odlew ciśnieniowy aluminiowy

Wymiary urządzenia
DRO 10x
■ 285 mm x 160 mm x 46 mm
DRO 203, DRO 30x
■ 285 mm x 180 mm x 46 mm

System zamocowania, wymiary montażowe VESA MIS-D, 100
100 mm x 100 mm

Wskazanie

Ekran
■ LCD-monitor z ekranem panoramicznym (15:9)
ekran kolorowy 17,8 cm (7 cali)
■ 800 x 480 pikseli

Interfejs użytkownika Interfejs użytkownika (GUI) z pulpitem obsługi

Dane elektryczne

Napięcie zasilające
■ AC 100 V ... 240 V ($\pm 10\%$)
■ 50 Hz ... 60 Hz ($\pm 5\%$)
■ Moc wejściowa max. 30 W

Kategoria przepięcia II

Liczba wejść przyrządów pomiarowych
DRO 10x
■ 1, 2 lub 3
DRO 203
■ 3
DRO 30x
■ 3 lub 4

Interfejsy enkoderów TTL: maksymalnie 300 mA
maks. Częstotliwość wejściowa 500 kHz

Interfejs dla KT 130, IOB 610 DC 5 V ($\pm 5\%$)

Interfejs danych USB 2.0 Hi-Speed (typ C), maksymalne natężenie 500 mA

Warunki otoczenia

Temperatura robocza 0 °C ... 45 °C

Temperatura magazynowania -20 °C ... 70 °C

Względna wilgotność powietrza 40 % ... 80 % r.H. nie kondensująca

Wysokość ≤ 2000 m

Ogólne informacje

Wytyczne
■ EMV-wytyczna 2014/30/EU
■ Wytyczna zniżonego napięcia 2014/35/EU

Stopień zabrudzenia 2

Stopień ochrony EN 60529
■ Strona przednia i boczne: IP 54
■ Strona tylna: IP 40

Masa
DRO 10x
■ 1,5 kg
■ Z nóżką Single-Pos: 1,6 kg
■ Z uchwytem Multi-Pos: 1,9 kg
DRO 203, DRO 30x
■ 1,9 kg
■ Z nóżką Single-Pos: 2,0 kg
■ Z uchwytem Multi-Pos: 2,3 kg
■ Z ramą montażową: 3,3 kg

6.2 Wymiary urządzenia i wymiary montażowe

Dalsze informacje: Strona 125 i następne strony.

Wszystkie wymiary na rysunkach są podane w milimetrach.

1 Alapismeretek

1.1 Az utasításokról

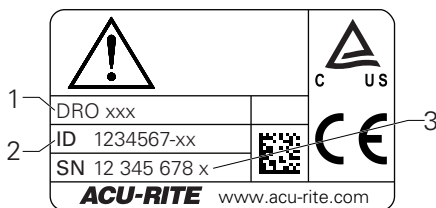
Ezek az utasítások biztosítják a termék megfelelő felszereléséhez és üzembehelyezéséhez szükséges valamennyi információt és biztonsági előírást.

1.2 Információ a termékről

Termék megnevezése	Azonosító szám
DRO 101 1 tengely	1197252-xx
DRO 102 2 tengely	
DRO 103 3 tengely	
DRO 203 3 tengely	1197250-xx
DRO 303 3 tengely, IOB 610/KT 130 csatlakozással	1197251-xx
DRO 304 4 tengely, IOB 610/KT 130 csatlakozással	

Az azonosító címke a termék hátoldalán található.

Példa:



- 1 Termék megnevezése
- 2 Azonosító szám
- 3 Index

A dokumentáció érvényessége

A dokumentáció és a termék használata előtt ellenőrizze, hogy a dokumentáció megfelel-e a terméknek.

- ▶ Vesse össze a dokumentációban szereplő azonosító számot és indexet a termék azonosító címkéjén megadott megfelelő adatokkal
- > Ha az azonosító szám és az index egyezik, akkor a dokumentáció érvényes



Ha az azonosító szám és az index nem egyezik, akkor a dokumentáció nem érvényes, és a termék aktuális dokumentációja itt található: www.acu-rite.com.

1.3 Megjegyzések a dokumentáció olvasásához

Az alábbi táblázat a dokumentáció összetevőit sorolja fel az olvasási prioritás sorrendjében.

⚠ FIGYELMEZTETÉS

A dokumentáció figyelmen kívül hagyása halálos balesetet, személyi sérülést vagy anyagi kárt idézhet elő!

A dokumentáció be nem tartása halálos balesetet, személyi sérülést vagy anyagi kárt okozhat.

- ▶ Olvassa el figyelmesen a dokumentációt az elejétől a végéig
- ▶ Őrizze meg a dokumentációt a jövőbeli referenciaként

Dokumentáció	Leírás
Függelék	A függelék kiegészíti vagy hatálytalanítja a Használati utasítás, és adott esetben, az Üzembehelyezési útmutató megfelelő részeit. Ha ezt a dokumentumot a csomag tartalmazza, először olvassa el, mielőtt továbblépne. A dokumentáció minden más tartalma megőrzi érvényességét.
Üzembehelyezési útmutató	Az Üzembehelyezési utasítás biztosítja a termék megfelelő felszereléséhez és üzembehelyezéséhez szükséges valamennyi információt és biztonsági előírást. Ezek a Használati utasítás kivonatai és minden csomagban megtalálhatók. Ennek a dokumentumnak az elolvasása a második legfontosabb prioritást élvez.
Használati utasítás	A Használati utasítás tartalmazza a termék rendeltetésszerű használatához szükséges valamennyi információt és biztonsági előírást. Ennek a dokumentumnak az elolvasása a harmadik legfontosabb prioritást élvez. Ez a dokumentáció innen tölthető le: www.acu-rite.com . A Használati utasítást ki kell nyomtatni a termék üzembehelyezése előtt.

A csatlakoztatott mérőeszközök és egyéb perifériák dokumentációja

Ezeket a dokumentációkat nem tartalmazza a csomag Ezeket az adott mérőeszköz és periféria mellé csomagolják.

Változtatna valamit a kézikönyvben, esetleg hibát talált?

Folyamatosan törekszünk dokumentációnk tökéletesítésére. Segítsen Ön is, és küldje el észrevételeit e-mailben a következő címre:

userdoc@acu-rite.de

1.4 A dokumentáció tárolása és megosztása

Az utasításokat a munkaállomás közelében kell tartani, és mindenkor elérhetővé kell tenni a dolgozók számára. A felhasználó vállalatnak fel kell hívnia a dolgozók figyelmét az utasítások elérhetőségére. Ha az utasítások olvashatatlaná válnak, akkor a felhasználó vállalatnak egy csere utasítást kell kérnie a gyártótól.

Ha a terméket tovább értékesítik egy harmadik fél részére, akkor a következő dokumentumokat is mellékelni kell:

- Függelék, ha mellékeltek
- Üzembehelyezési útmutató
- Használati utasítás

1.5 Az utasítások célcsoportja

A Használati utasítást el kell olvasnia mindenkinek, aki az alábbi feladatokat végzi:

- Felszerelés
- Üzembe helyezés

1.6 Megjegyzések a dokumentációban

Biztonsági előírások

Tartsa be az ebben az útmutatóban és a szerszámgépgyártó dokumentációjában feltüntetett összes biztonsági óvintézkedést!

Az elővigyázatossági utasítások figyelmeztetnek a termék kezelésével járó veszélyekre, és tájékoztatást nyújtanak a megelőzésről. Az elővigyázatossági utasítások veszélyességi besorolás szerint osztályozottak és a következő csoportokba sorolhatók:

VESZÉLY

A **Veszély** balesetveszélyt jelent. Ha nem követi a megelőzési utasításokat, akkor a veszély **halálos vagy súlyos sérülést okozhat**.

FIGYELMEZTETÉS

A **Figyelmeztetés** balesetveszélyt jelent. Ha nem követi a megelőzési utasításokat, akkor a veszély **halálos vagy súlyos sérülést okozhat**.

FIGYELEM

A **Vigyázat** balesetveszélyt jelent. Ha nem követi a megelőzési utasításokat, akkor a veszély **közepes vagy kisebb mértékű sérülést okozhat**.

MEGJEGYZÉS

A **Figyelem** anyagra, vagy adatra vonatkozó veszélyt jelent. Ha nem követi a megelőzési utasításokat, akkor a veszély **anyag kárt okozhat**.

Tájékoztató megjegyzések

Tartsa be a jelen útmutatóban szereplő tájékoztató megjegyzéseket a termék megbízható és hatékony működésének biztosítása érdekében.

Ezekben az utasításokban a következő tájékoztató megjegyzések találhatók:



Az információs szimbólum **javaslatot jelöl**. A javaslat fontos kiegészítő, vagy segéd információt nyújt.



A fogaskerék szimbólum azt jelenti, hogy a leírt funkció **gépfüggő**, pl.

- Ehhez a gépnek adott szoftver vagy hardver opcióval kell rendelkeznie
- A funkció működése a gép beállításainak konfigurációjától függ



A könyv szimbólum egy külső dokumentációra való **kereshivatkozást** jelent, pl. a gépgyártó, vagy más gyártó kézikönyvére.

2 Biztonság

2.1 Általános biztonsági óvintézkedések

Az általánosan elfogadott biztonsági előírásokat, különös tekintettel az áram alatt lévő eszközökre, be kell tartani a rendszer használata során. Ezen biztonsági óvintézkedések be nem tartása személyi sérülést vagy a termék károsodását okozhatja.

A biztonsági előírások az egyes cégeknél eltérő. Ha ellentmondás van az utasítások tartalma és a rendszert használó cég szabályzata között, akkor a legszigorúbb szabályokat kell betartani.

2.2 Tervezett alkalmazás

A DRO 100, DRO 200 és DRO 300 sorozat termékei korszerű digitális kijelzők, kézi működtetésű szerszámgépekhez. Mérőlécekkel és szögadókkal kombinálva a DRO 100, DRO 200 és DRO 300 sorozatok digitális kijelzői a szerszám pozícióját több tengelyre jelzik ki, és további funkciókat biztosítanak a szerszámgép működtetéséhez.

A DRO 100, DRO 200 és DRO 300 sorozatok termékeit:

- csak kereskedelmi alkalmazásra és ipari környezetben szabad használni
- egy megfelelő állványra vagy tartóra kell elhelyezni, így biztosítva a termék helyes és rendeltetésszerű használatát
- beltéri környezetben kell használni, ahol a nedvesség, por, különféle olajok és kenőanyagok által okozott szennyezés mértéke nem haladja meg a követelményekben megadottakat



A DRO 100, DRO 200 és DRO 300 sorozat termékei a különböző gyártóktól származó perifériák széles választékát támogatják. Ugyanakkor a HEIDENHAIN nem tud nyilatkozni ezen eszközök rendeltetésszerű használatával kapcsolatban. Be kell tartani a kapcsolódó dokumentációkban található, rendeltetésszerű felhasználásra vonatkozó információkat.

2.3 Helytelen használat

A termék használatakor gondoskodni kell arról, hogy ne okozzon veszélyt senki számára. Ha ilyen veszély fennáll, az üzemeltetőnek megfelelő óvintézkedéseket kell hoznia.

A termék különösen nem használható a következő esetekben:

- Az előírásokon kívüli felhasználás és tárolás
- Kültéri használat
- Robbanásveszélyes környezetben való felhasználás
- A termék használata biztonsági modulként

2.4 Kezelői képzettség

A szereléshez és a beüzemeléshez szükséges személyzetet megfelelő módon fel kell készíteni erre a munkára, és elegendő információt kell biztosítani részükre a termékhez mellékelt dokumentációból és a csatlakoztatott perifériákról.

A terméken végzett egyedi tevékenységekhez szükséges személyzetet ezen utasítások megfelelő részei tartalmazzák.

A felszerelésért és a beüzemelésért felelős személyek különböző képesítésekkel rendelkeznek és eltérő feladatokat látnak el, amelyek a következők szerint vannak meghatározva.

Szakképzett személyzet

A szakképzett személynek képesítése van a fejlettebb kezelési és paraméterezési feladatok elvégzésére. A szakképzett személyzetnek rendelkeznie kell a szükséges műszaki ismeretekkel és tapasztalatokkal, és ismernie kell a vonatkozó előírásokat, így alkalmas az érintett alkalmazással kapcsolatos feladatok elvégzésére, valamint a lehetséges kockázatok előzetes felismerésére és elkerülésére.

Elektromos szakember

Az elektromos szakember rendelkezik a szükséges műszaki ismeretekkel és tapasztalatokkal, ismeri az alkalmazandó szabványokat és előírásokat, így képes elektromos munkák elvégzésére, valamint a lehetséges kockázatok előzetes felismerésére és elkerülésére. Az elektromos szakemberek munkakörüknek megfelelő képesítéssel rendelkeznek.

Az elektromos szakembereknek meg kell felelniük a baleset-megelőzésre vonatkozó jogszabályi rendelkezéseknek.

2.5 A felhasználó vállalat kötelezettségei

A felhasználó vállalat a tulajdonosa vagy bérlője a terméknek és a perifériáknak. Felelőssége, hogy a felhasználás mindig rendeltetésszerű legyen.

Az üzemeltető vállalat köteles:

- Hozzárendelni a terméken végrehajtandó különböző feladatokat a megfelelő, képzett és felhatalmazott személyzethez
- Igazolhatóan felkészíteni a személyzetet az általuk elvégzendő feladatokra
- Adjon meg minden szükséges anyagot és eszközt ahhoz, hogy a személyzet elvégezhesse a kijelölt feladatokat
- Győződjön meg róla, hogy a termék csak tökéletes műszaki állapotban lesz használva
- Győződjön meg arról, hogy a termék védett a jogosulatlan használattól

2.6 Általános biztonsági óvintézkedések



Bármely rendszer biztonsága, amely tartalmazza e kijelző használatát, a rendszer összeszerelőjének, vagy üzembehelyezőjének a felelőssége.



A termék támogatja a különböző gyártóktól származó perifériák széles választékát. A HEIDENHAIN semmilyen nyilatkozatot nem tehet a kiegészítő készülékekre vonatkozó konkrét biztonsági óvintézkedésekről. Az adott dokumentációban található biztonsági óvintézkedéseket be kell tartani. Ha ilyen információt nem szolgáltatott, azt az érintett gyártóktól kell beszerezni.

A terméken elvégzendő egyedi tevékenységekhez szükséges különleges biztonsági óvintézkedéseket az útmutató vonatkozó részei jelzik.

2.6.1 Szimbólumok az utasításokban

Az alábbi biztonsági szimbólumok szerepelnek a leírásban:

Szimbólum	Jelentés
	Olyan információkat jelent, amelyek személyi sérülésekre figyelmeztetnek
	Elektrosztatikusan érzékeny eszközöket jelent (ESD)
	ESD csuklópánt a személy földeléséhez

2.6.2 Szimbólumok a terméken

A termék azonosítását a következő szimbólumok segítik:

Szimbólum	Jelentés
	A termék bekötése előtt vegye figyelembe a villamos energia és az áramellátás biztonságára vonatkozó biztonsági előírásokat
	Földelés IEC 60417 - 5017 szabvány szerint. Tartsa be a telepítésre vonatkozó információkat.

2.6.3 Elektromos biztonsági utasítások

FIGYELMEZTETÉS

Véletlen érintkezés az áram alatt lévő részekkel a termék szerelésekor.

Ez áramütést, égést vagy halált okozhat.

- ▶ Soha ne bontsa meg a termék burkolatát
- ▶ Kizárólag a gyártó jogosult a termék megbontásához

FIGYELMEZTETÉS

Az áram alatt lévő alkatrészsel való közvetlen, vagy közvetett érintkezés esetén, fennáll a veszély, hogy az emberi testen áram halad keresztül.

Ez áramütést, égést vagy halált okozhat.

- ▶ Az elektromos rendszeren és az áram alatt lévő alkatrészekon végzett munkát csak képzett szakember végezheti
- ▶ Az áramellátáshoz és az összes interfész csatlakozáshoz csak olyan kábeleket és csatlakozókat használjon, amelyek megfelelnek a vonatkozó szabványoknak
- ▶ A gyártónak azonnal ki kell cserélnie a hibás elektromos alkatrészeket
- ▶ Rendszeresen ellenőrizze az összes csatlakoztatott kábelt és az összes csatlakozót a terméken. A hibákat, pl. laza kábelcsatlakozás vagy sérült kábel, azonnal meg kell szüntetni

MEGJEGYZÉS

A termék belső részeinek károsodása!

A termék megbontása a szavatosság és a jótállás elvesztését eredményezi.

- ▶ Soha ne bontsa meg a termék burkolatát
- ▶ Kizárólag a termék gyártója jogosult a termék megbontásához

3 Szállítás és tárolás

3.1 Áttekintés

Ez a fejezet tartalmazza a termék szállításához és tárolásához szükséges összes információt, és áttekintést nyújt a termékről és a termékhez rendelkezésre álló tartozékokról.

3.2 Kicsomagolás

- ▶ Nyissa ki a doboz felső fedelét
- ▶ Távolítsa el a csomagoló anyagokat
- ▶ Csomagolja ki a tartalmat
- ▶ Ellenőrizze, hogy a leszállított csomagban minden benne van-e
- ▶ Ellenőrizze, hogy leszállított csomag nem sérült-e meg

3.3 Tartozékok és kiegészítők

Tartozékok

A csomag a következő tételeket tartalmazza:

- Termék
- Tápkábel (1197250-0x, 1197251-0x, 1197252-0x)
- Üzembehelyezési útmutató
- Függelék (opcionális)
További információ: "Megjegyzések a dokumentáció olvasásához", oldal 75

Kiegészítők

A következő elemek opcióként érhetők el, és további kiegészítőként megrendelhetők a HEIDENHAIN képviselőtől:

Tartozékok	Azonosító szám
Single-Pos állvány 20°-ban döntött, mereven rögzített	1197273-01
Multi-Pos tartó A rögzítés egy karon történik, ami fokozatmentesen dönthető és forgatható	1197273-02
Szerelőkeret A kezelőpultba való beépítéshez. Kizárólag a DRO 203 és DRO 30x termékekkel kompatibilis.	1197274-01
Burkolat Forgács, és egyéb szennyeződés elleni védelem érdekében	1197275-01
KT 130 éltapintó A munkadarab tapintásához (nulla-pontok felvételéhez). Kizárólag a DRO 30x termékekkel kompatibilis.	283273-xx
IOB 610 Bemeneti és kimeneti funkciók kapcsolásához. Kizárólag a DRO 30x termékekkel kompatibilis.	1197271-01

3.4 Szállítás közben történt sérülés esetén

- ▶ A kiszállítónak igazolnia kell a sérülést
- ▶ Őrizze meg a csomagoló anyagokat
- ▶ Értesítse a küldőt a sérülésről
- ▶ A cserealkatrészekért forduljon a forgalmazóhoz vagy a gépgyártóhoz



Szállítás közben történt sérülés esetén:

- ▶ Őrizze meg a csomagoló anyagokat
- ▶ Értesítse a HEIDENHAIN képviselőt vagy a gép gyártóját

Ez akkor is érvényes, ha kár keletkezett a kért pótalkatrészeknél a szállítás során.

3.5 Újracsomagolás és tárolás

Csomagolja újra és tárolja a terméket az alábbi feltételeknek megfelelően.

Újracsomagolás

Az újracsomagolásnak lehetőség szerint az eredeti csomagolással megegyezőnek kell lennie.

- ▶ Csatlakoztassa az összes rögzítőelemet és porvédő sapkát a termékhez, vagy csomagolja újra azokat úgy, ahogy gyárilag eredetileg le lettek szállítva.
- ▶ Úgy kell visszacsomagolni a terméket, hogy a szállítás során védve legyen az ütközéstől és rázkódástól
- ▶ A terméket úgy kell újracsomagolni, hogy védve legyen a portól vagy a nedvességtől
- ▶ Helyezzen be minden olyan tartozékot a csomagba, amely eredetileg is benne volt

További információ: "Tartozékok és kiegészítők", oldal 79

- ▶ Beleértve a Függelékét is (ha eredetileg is mellékelve volt), az Üzembehelyezési útmutatót és a Használati utasítást

További információ: "A dokumentáció tárolása és megosztása", oldal 76



Ha a terméket javítás céljából visszaküldi a szervizhez:

- ▶ A terméket tartozékok, mérőeszközök és perifériák nélkül kell visszaküldeni

A termék tárolása

- ▶ Csomagolja be a terméket a fent leírt módon
- ▶ Figyeljen a környezeti feltételekre
- ▶ Szállítás vagy hosszabb tárolási idő letelte után ellenőrizze a termék állapotát

4 Felszerelés

4.1 Áttekintés

Ez a fejezet tartalmazza a termék felszereléséhez szükséges összes információt.



A következő lépéseket csak szakképzett személy végezheti el.

További információ: "Kezelői képzettség", oldal 77

4.2 Összeszerelés

Általános szerelési információk

A különböző felszerelési eszközök csatlakozása a hátlapon található. A csatlakozás kompatibilis a 100 mm x 100 mm-es VESA szabvánnyal.

DRO 10x: **További információ:** "G", oldal 125

DRO 203, DRO 30x: **További információ:** "K", oldal 126

A felszereléshez, rögzítéshez szükséges eszközöket a csomag tartalmazza.

Szükség lesz továbbá a következőkre:

- Torx T20 csavarhúzó
- 2,5 mm-es imbuszkulcs
- 7 mm csókulcs
- A tartófelületre való rögzítéshez szükséges anyagra



A terméket egy állványra vagy tartóra kell elhelyezni, így biztosítva a termék helyes és rendeltetésszerű használatát.

A kábelek elvezetése



Az állványt és a tartóelemet ábrázoló ábrákon javaslatokat talál a kábelek elvezetésére a felszerelés után.

Single-Pos állvány: **További információ:** "C", oldal 4

Multi-Pos tartó: **További információ:** "D", oldal 4

Szerelőkeret: **További információ:** "E", oldal 4

Ha állványra történik a szerelés:

- ▶ Húzza össze a kábeleket
- ▶ Vezesse át hátulról a kábeleket az állvány nyílásán keresztül
- ▶ Vezesse a kábeleket oldalirányban a csatlakozásokhoz

Ha tartóra történik a szerelés:

- ▶ Húzza össze a kábeleket
- ▶ Vezesse a kábeleket oldalirányban a csatlakozásokhoz
- ▶ Kábelkötözővel rögzítse a kábeleket a karhoz

4.2.1 Egyállású állványra szerelés:

Az egyállású állvány lehetővé teszi, hogy a terméket 20°-os dőlésszögben helyezze a felületre, vagy a terméket a felülethez csavarozza.

Szerelje fel az állványt a felső VESA 100 menetes furatokra, a termék hátoldalán

- ▶ Használjon Torx T20 csavarhúzó a termékhez adott M4 x 8 ISO 14581, süllyesztett fejű csavarok meghúzásához.
- ▶ Tartsa be a megengedett 2,6 Nm-es meghúzási nyomatékot

A terméket biztosítani kell elmozdulás ellen működés közben

- ▶ Tegye fel a mellékelt öntapadó gumipárnákat a termék aljára
- ▶ Ha a terméket nem csavarozza a felülethez, akkor tegyen öntapadós gumipárnákat az állvány aljára



Csak akkor tegyen gumipárnát az állvány aljára, ha a terméket nem csavarozza a felülethez.

További információ: "C", oldal 4

Az egyállású állvány méretei

DRO 10x: **További információ:** "H", oldal 125

DRO 203, DRO 30x: **További információ:** "L", oldal 127

4.2.2 Többállású tartóra szerelés:

Szerelje fel a tartót az alsó VESA 100 menetes furatokra, a termék hátoldalán

- ▶ Használjon Torx T20 csavarhúzó a termékhez adott M4 x 10 ISO 14581, süllyesztett fejű (fekete) csavarok meghúzásához
- ▶ Tartsa be a megengedett 2,5 Nm-es meghúzási nyomatékot

A tartót olyan szögben döntheti és forgathatja, amely a kijelző kényelmes olvasását teszi lehetővé.

További információ: "D", oldal 4

A többállású tartó méretei

DRO 10x: **További információ:** "I", oldal 126

DRO 203, DRO 30x: **További információ:** "M", oldal 127

4.2.3 Szerelőkerettel való beépítés



A szerelőkeret csak DRO 203 és DRO 30x termékekkel kompatibilis.

A szerelőkeret lehetővé teszi a termék kezelőpultba való beépítését.

Szerelje fel a keret hátlapját a termék hátlapján található VESA 100 menetes furatokra

- ▶ Használjon 2,5 mm-es imbuszkulcsot a termékhez adott M4 x 6 ISO 7380 csavarok meghúzásához
- ▶ Tartsa be a megengedett 2,6 Nm-es meghúzási nyomatékot

Szerelje össze a keret hátlapját és terméket a keret elülső lemezével

- ▶ Használjon 7 mm-es imbuszkulcsot a termékhez adott M4 ISO 10511 anyák meghúzásához
- ▶ Tartsa be a megengedett 3,5 Nm-es meghúzási nyomatékot

Szerelje be a keretet és a kijelzőt a kezelőpultba

- ▶ Lásd a szerelőkerethez mellékelt szerelési útmutatót a kezelőpult kivágásához és a beépítési információkhoz

További információ: "E", oldal 4

A szerelőkeret méretei

További információ: "N", oldal 127

4.2.4 Védőburkolat felszerelése

A védőburkolat óvja a terméket a szennyeződésektől és a forgácsdaraboktól

Tegye a védőburkolatot a termékre

- ▶ Tegye a védőburkolatot a termékre
- ▶ Szemből nézve igazítsa a védőburkolatot a termékhez jobb kéz felől

Szerelje fel a védőburkolatot a termékre

- ▶ Távolítsa el a ragasztószalag védőit a ragasztós fülekről
- ▶ Hajtsa le a ragasztót a termék felé
- ▶ Nyomja a ragasztófületeket a termékhez, hogy egymáshoz rögzítse őket

5 Üzembe helyezés

5.1 Áttekintés

Ez a fejezet tartalmazza a termék üzembehelyezéséhez szükséges összes információt.



A következő lépéseket csak szakképzett személy végezheti el.

További információ: "Kezelői képzettség", oldal 77

5.2 Általános információ

MEGJEGYZÉS

Csatlakozóelemek rádugása, vagy lehúzása!

A belső alkatrészek károsodásának veszélye.

- ▶ Ne csatlakoztasson vagy húzzon le semmilyen csatlakozóelemet, amíg a készülék áram alatt van

MEGJEGYZÉS

Elektrosztatikus kisülés (ESD)!

Ez a termék elektrosztatikusan érzékeny alkatrészeket tartalmaz, amelyek elektrosztatikus kisülés esetén (ESD) tönkremennek.

- ▶ Fontos figyelembe venni az ESD-érzékeny alkatrészek kezelésére vonatkozó biztonsági óvintézkedéseket
- ▶ Soha ne érintse meg a csatlakozóvillaikat a megfelelő földelés biztosítása nélkül
- ▶ A termék csatlakozóinak kezelésekor egy földelt ESD csuklópántot kell viselni

MEGJEGYZÉS

Hibás lábkiosztás!

Ez hibás működést vagy a termék károsodását okozhatja.

- ▶ Csak azokat a lábakat vagy vezetőkeket adja meg, amelyeket használatban vannak

5.3 Termék áttekintés

A készülék hátlapján levő csatlakozókat porvédő sapkák védik a szennyeződésektől és sérülésektől.

MEGJEGYZÉS

Ha a porvédő sapka hiányzik, az szennyeződéshez vagy sérüléshez vezethet!

Ez károsíthatja a csatlakozók megfelelő működését, vagy tönkretelheti azokat.

- ▶ A porvédő sapkákat csak mérőeszközök vagy perifériák csatlakoztatásakor távolítsa el
- ▶ Ha eltávolít egy mérőeszközt vagy perifériát, tegye fel újra a porvédő sapkát a csatlakozóra



A csatlakozók típusa és száma a termék verziójától függően változhat.

Hátlap porvédő sapka nélkül

DRO 10x: **További információ:** "A", oldal 3

DRO 203, DRO 30x: **További információ:** "B", oldal 3

Hátoldal

- 1 Bekapcsoló gomb és hálózati csatlakozás
- 2 Földelés IEC 60471 - 5017 szabvány szerint
- 3 **X31:** USB 2.0 Hi-Speed csatlakozás (C típusú) USB-háttértároló eszközhöz és PC csatlakozáshoz (védőburkolat alatt)
- 4 **X1 - X4:** Készülékváltozat 9 pólusú D-sub csatlakozókkal, TTL interfésszel rendelkező jeladókhöz
- 5 **X10:** 15 pólusú D-sub csatlakozó tapintókhöz és segédeszközökhöz (pl. HEIDENHAIN tapintó, IOB). Csak DRO 30x termékeknél érhető el.

5.4 A jeladók csatlakoztatása

- ▶ Vegye le és tegye félre a porvédő sapkákat
- ▶ A kábeleket a szerelési változattól függően vezesse el

További információ: "Összeszerelés", oldal 80

- ▶ Csatlakoztassa szorosan a jeladó kábeleket a megfelelő csatlakozásokhoz

További információ: "Termék áttekintés", oldal 82

- ▶ Ha a kábelcsatlakozók rögzítőcsavarokat is tartalmaznak, figyeljen, hogy ne húzza túl őket

X1 - X4 lábkiosztás

További információ: "O", oldal 128

5.5 USB eszköz csatlakoztatása

- ▶ Vegye le a porvédő sapkát
- ▶ Csatlakoztassa az USB-eszközt vagy kábelt a megfelelő csatlakozóhoz

További információ: "Termék áttekintés", oldal 82

X31 lábkiosztás

További információ: "P", oldal 128

5.6 Tapintó csatlakoztatása



A következő tapintó csatlakoztatható a DRO 30x termékhez:

- HEIDENHAIN KT 130 éltapintó

További információ: "Kiegészítők", oldal 79

- ▶ Vegye le és tegye félre a porvédő sapkákat
- ▶ A kábeleket a szerelési változattól függően vezesse el

További információ: "Összeszerelés", oldal 80

- ▶ Csatlakoztassa szorosan a tapintót az X10 csatlakozóhoz

További információ: "Termék áttekintés", oldal 82

- ▶ Ha a kábelcsatlakozók rögzítőcsavarokat is tartalmaznak, figyeljen, hogy ne húzza túl őket

X10 lábkiosztás

További információ: "Q", oldal 128

5.7 Hálózati feszültség csatlakoztatása

FIGYELMEZTETÉS

Áramütés veszélye!

Az elektromos eszközök helytelen földelése súlyos személyi sérülést vagy halálos áramütést okozhat.

- ▶ Mindig háromvezetékes tápkábelt kell használni
- ▶ Győződjön meg arról, hogy a földkábel megfelelően csatlakozik az épület elektromos hálózatához

FIGYELMEZTETÉS

Tűzveszélyes lehet az adott ország szabványától eltérő tápkábel alkalmazása a terméken.

Az elektromos eszközök helytelen földelése súlyos személyi sérülést vagy halálos áramütést okozhat.

- ▶ A termék felszerelésekor a nemzeti szabványnak megfelelő tápkábelt kell alkalmazni

- ▶ Használjon a követelményeknek megfelelő, háromvezetékes, földelt tápkábelt.

További információ: "Termék áttekintés", oldal 82

Tápkábel lábkiosztása

További információ: "R", oldal 128

6 Specifikációk

6.1 Termék jellemzők

Termék	
Tárolás	Alumíniumöntvény
Ház méretei	DRO 10x <ul style="list-style-type: none">■ 285 mm x 160 mm x 46 mm DRO 203, DRO 30x <ul style="list-style-type: none">■ 285 mm x 180 mm x 46 mm
Rögzítő rendszer és illesztési méretek	VESA MIS-D, 100 100 mm x 100 mm

Kijelzés

Képernyő	<ul style="list-style-type: none">■ Szélesképernyős LCD (15:9) színes kijelzővel 17.8 cm (7")■ 800x 480 pixel
Felhasználói felület	Felhasználói felület (GUI) kezelőgombokkal

Elektromos adatok

Tápegység	<ul style="list-style-type: none">■ AC 100 V ... 240 V (± 10 %)■ 50 Hz ... 60 Hz (± 5 %)■ Bemeneti teljesítmény max. 30 W
Túlfeszültség kategória	II
Jeladó bemenetek száma	DRO 10x <ul style="list-style-type: none">■ 1, 2, vagy 3 DRO 203 <ul style="list-style-type: none">■ 3 DRO 30x <ul style="list-style-type: none">■ 3 vagy 4
Jeladó interfészek	TTL: Max. áram 300 mA max. bemeneti frekvencia 500 kHz
KT 130, IOB 610 interfész	DC 5 V (± 5 %)
Adatinterfész	USB 2.0 Hi-Speed (C-típusú), max. áram 500 mA

Környezeti feltételek

Üzemi hőmérséklet	0 °C ... 45 °C
Tárolási hőmérséklet	-20 °C ... 70 °C
Relatív páratartalom	40 % ... 80 % r.H., páraakcsapódás nélkül
Tengerszint feletti magasság	≤ 2000 m

Általános információ

Írányelvek	<ul style="list-style-type: none">■ EMC Directive 2014/30/EU■ Kisfeszültségű Írányelv 2014/35/EU
Környezetszennyezési fok	2
Védettség EN 60529	<ul style="list-style-type: none">■ Előlap és oldalak IP 54■ Háttoldal: IP 40
Tömeg	DRO 10x <ul style="list-style-type: none">■ 1,5 kg■ Single-Pos állvány esetén: 1,6 kg■ Multi-Pos tartó esetén: 1,9 kg DRO 203, DRO 30x <ul style="list-style-type: none">■ 1,9 kg■ Single-Pos állvány esetén: 2,0 kg■ Multi-Pos tartó esetén: 2,3 kg■ Szerelőkeret esetén: 3,3 kg

6.2 Termék méretek és illesztési méretek

További információ: oldal 125 és az azt követő oldalakon.
A rajzok minden mérete milliméterben van megadva.

1 Základné informácie

1.1 Informácie o týchto pokynoch

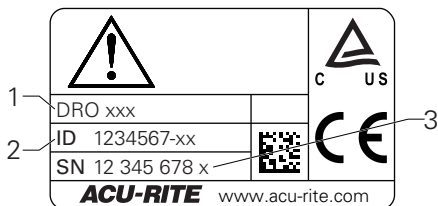
V týchto pokynoch sa uvádzajú všetky informácie a bezpečnostné opatrenia potrebné na správne upevnenie a inštaláciu produktu.

1.2 Informácie o produkte

Označenie produktu	Číslo dielu
DRO 101 1 os	1197252-xx
DRO 102 2 osi	
DRO 103 3 osi	
DRO 203 3 osi	1197250-xx
DRO 303 3 osi s pripojením IOB 610/KT 130	1197251-xx
DRO 304 4 osi s pripojením IOB 610/KT 130	

Štítk s ID sa nachádza na zadnej strane produktu.

Príklad:



- 1 Označenie produktu
- 2 Číslo dielu
- 3 Register

Platnosť dokumentácie

Pred použitím dokumentácie a produktu je potrebné skontrolovať, či sa dokumentácia vzťahuje na daný produkt.

- ▶ Porovnajte číslo dielu a index uvedený v dokumentácii so zodpovedajúcimi údajmi uvedenými na štítku s ID produktu.
- ▶ Ak sa čísla dielu a indexy zhodujú, máte k dispozícii správnu dokumentáciu.



Ak sa čísla dielov a indexy nezhodujú, nemáte k dispozícii správnu dokumentáciu. Aktuálnu dokumentáciu pre produkt nájdete na adrese www.acu-rite.com.

1.3 Poznámky k čítaniu tejto dokumentácie

V tabuľke ďalej sa uvádzajú komponenty dokumentácie v poradí podľa priority čítania.

! VÝSTRAHA

Pri nedodržaní pokynov v dokumentácii hrozia smrteľné úrazy, zranenie osôb, ako aj poškodenie majetku!

V prípade nedodržania pokynov v dokumentácii hrozia smrteľné úrazy, zranenie osôb, ako aj poškodenie majetku.

- ▶ Pozorne si prečítajte dokumentáciu od začiatku až do konca.
- ▶ Dokumentáciu si odložte na budúce použitie.

Dokumentácia	Popis
Dodatok	Dodatok dopĺňa alebo nahrádza príslušný obsah pokynov na prevádzku, prípadne pokynov na inštaláciu. Ak je tento dokument súčasťou dodávky, pred akoukoľvek ďalšou činnosťou si ho najprv prečítajte. Celý zvyšný obsah dokumentácie zostáva platný.

Pokyny na inštaláciu	V pokynoch na inštaláciu sa uvádzajú všetky informácie a bezpečnostné opatrenia potrebné na správne upevnenie a inštaláciu produktu. Predstavujú výňatok z pokynov na obsluhu a sú súčasťou každej dodávky. Tento dokument má druhú najvyššiu prioritu čítania.
----------------------	---

Pokyny na obsluhu	V pokynoch na obsluhu sa uvádzajú všetky informácie a bezpečnostné opatrenia potrebné na správne používanie produktu v súlade so zamýšľaným použitím. Tento dokument má tretiu najvyššiu prioritu čítania. Túto dokumentáciu možno stiahnuť z lokality so súborami na sťahovanie na adrese www.acu-rite.com . Pokyny na obsluhu treba pred uvedením produktu do prevádzky vytlačiť.
-------------------	---

Dokumentácia k pripojeným meracím zariadeniam a iným periférnym zariadeniam

Tieto dokumenty nie sú súčasťou dodávky. Sú dodávané s príslušnými meracími zariadeniami a periférnymi zariadeniami.

Chcete navrhnúť zmenu alebo ste našli nejaké chyby?

Našu dokumentáciu sa snažíme neustále vylepšovať. Pomôžte nám a pošlite vašu žiadosť na nasledujúcu e-mailovú adresu:

userdoc@acu-rite.de

1.4 Umiestnenie a distribúcia dokumentácie

Tieto pokyny musia byť umiestnené v bezprostrednej blízkosti pracoviska a nepretržite k dispozícii všetkým pracovníkom. Prevádzkovateľ musí pracovníkov informovať o tom, kde sú tieto pokyny umiestnené. Ak už pokyny nie sú čitateľné, prevádzkovateľ musí od výrobcu zaobstarať ďalšiu verziu.

Ak je produkt postúpený alebo predaný ďalšej strane, novému vlastníkovi treba odovzdať aj nasledujúce dokumenty:

- Dodatok, ak bol súčasťou balenia
- Pokyny na inštaláciu
- Pokyny na obsluhu

1.5 Cieľová skupina pre pokyny

Pokyny na inštaláciu musia prečítať a dodržiavať všetky osoby, ktoré vykonávajú niektorú z nasledujúcich úloh:

- Upevnenie
- Inštalácia

1.6 Poznámky v tejto dokumentácii

Bezpečnostné opatrenia

Dodržiavajte všetky bezpečnostné opatrenia uvedené v týchto pokynoch a v dokumentácii od výrobcu strojových zariadení.

Preventívne vyhlásenia obsahujú varovanie pred rizikami pri manipulácii s produktom a návod, ako im predchádzať. Preventívne vyhlásenia sú klasifikované podľa závažnosti rizika a delia sa do nasledujúcich skupín:

NEBEZPEČENSTVO

Nebezpečenstvo označuje riziko pre osoby. V prípade nedodržania pokynov na predchádzanie môže byť následkom tohto rizika **smrteľné alebo vážne zranenie**.

VÝSTRAHA

Výstraha označuje riziko pre osoby. V prípade nedodržania pokynov na predchádzanie môže byť následkom tohto rizika **smrteľné alebo vážne zranenie**.

OPATRNE

Upozornenie označuje riziko pre osoby. V prípade nedodržania pokynov na predchádzanie môže byť následkom tohto rizika **ľahké alebo stredne závažné zranenie**.

UPOZORNENIE

Oznámenie označuje ohrozenie materiálu alebo údajov. V prípade nedodržania pokynov na predchádzanie môže byť následkom tohto rizika **iná ujma ako zranenie osôb, napríklad poškodenie majetku**.

Informačné poznámky

Dodržiavajte informačné poznámky uvedené v týchto pokynoch, aby ste zaistili spoľahlivú a efektívnu prevádzku produktu.

V týchto pokynoch nájdete nasledujúce informačné poznámky:



Symbol informácií označuje **tip**.

Tip uvádza dôležité dodatočné alebo doplnkové informácie.



Symbol ozubeného kola označuje, že opísaná funkcia **závisí od stroja**, napr.

- Používaný stroj musí disponovať určitým softvérovým alebo hardvérovým vybavením.
- Správanie tejto funkcie závisí od konfigurovateľných nastavení stroja.



Symbol knihy označuje **odkaz** na externú

dokumentáciu, napr. na dokumentáciu od výrobcu alebo dodávateľa strojových zariadení.

2 Bezpečnosť

2.1 Všeobecné bezpečnostné opatrenia

Pri používaní systému je potrebné dodržiavať všeobecne prijaté bezpečnostné opatrenia, najmä preventívne opatrenia týkajúce sa elektrických zariadení pod prúdom. Nedodržanie týchto bezpečnostných opatrení môže spôsobiť zranenie osôb alebo poškodenie produktu.

Je bežné, že pravidlá jednotlivých spoločností sa líšia. Ak dôjde ku konfliktu medzi obsahom týchto pokynov a pravidlami spoločnosti, ktorá používa tento systém, prednosť majú prísnejšie z týchto pravidiel.

2.2 Zamýšľané použitie

Produkty série DRO 100, DRO 200 a DRO 300 sú pokročilé digitálne zobrazovacie zariadenia na použitie s manuálne obsluhovanými strojovými zariadeniami. V kombinácii s lineárnymi a uhlovými kódovačmi zobrazujú digitálne zobrazovacie zariadenia radu DRO 100, DRO 200 a DRO 300 polohu nástroja vo viac ako jednej osi a poskytujú ďalšie funkcie pre ovládanie strojového zariadenia.

Produkty série DRO 100, DRO 200 a DRO 300:

- sa musia používať len v komerčných aplikáciách a v priemyselnom prostredí,
- musia byť nainštalované na vhodnom stojane alebo držiaku, aby sa zabezpečila správna a zamýšľaná prevádzka produktu,
- sú určené na vnútorné použitie v prostredí, v ktorom kontaminácia spôsobená vlhkosťou, nečistotami, olejom a mazivami spĺňa požiadavky špecifikácií.



Produkty série DRO 100, DRO 200 a DRO 300 podporujú používanie širokej škály periférnych zariadení od rôznych výrobcov. Spoločnosť HEIDENHAIN nemôže poskytnúť žiadne vyhlásenia o zamýšľanom použití týchto zariadení. Musia sa dodržiavať pokyny na ich zamýšľané použitie, ktoré sú uvedené v súvisiacej dokumentácii.

2.3 Nevhodné použitie

Pri používaní produktu treba dbať na to, aby nepredstavovalo žiadne riziko pre osoby. V prípade vzniku takéhoto rizika musí prevádzkovateľ prijať vhodné opatrenia.

Produkt sa nesmie používať najmä v nasledujúcich prípadoch:

- používanie a skladovanie mimo špecifikácií,
- používanie v exteriéri,
- používanie v potenciálne výbušných prostrediach,
- používanie produktu ako súčasť bezpečnostnej funkcie.

2.4 Kvalifikácia pracovníkov

Pracovníci vykonávajúci upevnenie a inštaláciu musia byť na takúto prácu náležite kvalifikovaní a riadne oboznámení s informáciami z dokumentácie dodanej s produktom a s pripojenými periférnymi zariadeniami.

Pracovníci potrební na vykonanie jednotlivých činností na produkte sú uvedení v príslušných častiach týchto pokynov.

Skupiny pracovníkov, ktorí sú zodpovední za upevnenie a inštaláciu, majú rôzne kvalifikácie a úlohy, ktoré sú vymedzené nasledujúcim spôsobom.

Kvalifikovaní pracovníci

Kvalifikovaní pracovníci boli prevádzkovateľom vyškolení na vykonávanie pokročilých prevádzkových činností a nastavovanie parametrov. Kvalifikovaní pracovníci majú požadované technické vyškolenie, vedomosti a skúsenosti a poznajú platné normy, vďaka čomu sú schopní vykonávať zadanú prácu súvisiacu s príslušnou aplikáciou a aktívne identifikovať potenciálne riziká a predchádzať im.

Elektrotechnik

Elektrotechnik má požadované technické školenie, poznatky a skúsenosti a pozná platné normy a predpisy, vďaka čomu je schopný vykonávať práce na elektrických systémoch a aktívne identifikovať potenciálne riziká a predchádzať im. Elektrotechnici boli špeciálne vyškolení pre prostredie, v ktorom pracujú.

Elektrotechnici musia dodržiavať ustanovenia platných právnych predpisov v oblasti predchádzania nehodám.

2.5 Povinnosti prevádzkovateľa

Prevádzkovateľ vlastní alebo si prenája produkt a periférne zariadenia. Je zodpovedný za neustály súlad so zamýšľaným použitím.

Prevádzkovateľ musí:

- Priradovať rôzne úlohy, ktoré je potrebné vykonať na produkte, vhodným, kvalifikovaným a oprávneným pracovníkom.
- Preukázateľne vyškoliť pracovníkov na vykonávanie úloh, ktoré smú vykonávať, a na správny spôsob ich vykonávania.
- Poskytnúť všetky materiály a prostriedky potrebné na to, aby pracovníci priradené úlohy dokončili.
- Zabezpečiť, aby bol produkt používaný len v dokonalom technickom stave.
- Zaisťiť ochranu produktu pred neoprávneným použitím.

2.6 Všeobecné bezpečnostné opatrenia



Bezpečnosť všetkých systémov, ktoré využívajú tento produkt, je zodpovednosť osoby, ktorá daný systém zostavila alebo nainštalovala.



Produkt podporuje použitie širokej škály periférnych zariadení od rôznych výrobcov. Spoločnosť HEIDENHAIN nedokáže poskytnúť žiadne vyhlásenia súvisiace so špecifickými bezpečnostnými opatreniami pre tieto zariadenia. Je nevyhnutné dodržiavať bezpečnostné opatrenia uvedené v príslušnej dokumentácii. Ak žiadne takéto informácie neboli poskytnuté, je potrebné ich od príslušných výrobcov vyžiadať.

Špecifické bezpečnostné opatrenia potrebné na vykonanie jednotlivých činností na produkte sú uvedené v príslušných častiach týchto pokynov.

2.6.1 Symboly v pokynoch

V tomto návode sa používajú nasledujúce bezpečnostné symboly:

Symbol	Význam
	Označuje informácie, ktoré varujú pred zranením osôb.
	Označuje elektrostaticky citlivé zariadenia.
	Remienok pre pracovníkov na uzemnenie elektrostatických výbojov

2.6.2 Symboly na produkte

Na identifikáciu produktu sa používajú nasledujúce symboly:

Symbol	Význam
	Pred pripojením produktu venujte pozornosť bezpečnostným opatreniam súvisiacim s elektrinou a pripojením napájania.
	Uzemňovací konektor podľa normy IEC 60417 – 5017. Dodržiavajte pokyny na inštaláciu.

2.6.3 Pokyny v oblasti elektrickej bezpečnosti

⚠ VÝSTRAHA

Nebezpečenstvo kontaktu s dielmi pod prúdom pri otvorení produktu.

Dôsledkom môže byť zásah elektrickým prúdom, popáleniny alebo usmrtenie.

- ▶ Puzdro nikdy neotvárajte.
- ▶ Prístup k vnútorným častiam produktu je povolený len výrobcovi.

⚠ VÝSTRAHA

Riziko nebezpečného množstva elektriny prechádzajúcej cez ľudské telo pri priamom alebo nepriamom kontakte s elektrickými dielmi pod prúdom.

Dôsledkom môže byť zásah elektrickým prúdom, popáleniny alebo usmrtenie.

- ▶ Prácu na elektrickom systéme a na komponentoch pod prúdom smú vykonávať len vyškolení odborníci.
- ▶ Na pripojenie napájania a prepojenie rozhraní používajte len káble a konektory, ktoré vyhovujú platným pravidlám.
- ▶ Chybné komponenty nechajte bezodkladne vymeniť u výrobcu.
- ▶ Pravidelne kontrolujte všetky pripojené káble a konektory na produkte. Nedostatky, ako sú napríklad uvoľnené konektory alebo spálené káble, treba okamžite odstrániť.

UPOZORNENIE

Poškodenie vnútorných súčastí produktu!

Otvorenie produktu spôsobí stratu záruky.

- ▶ Puzdro nikdy neotvárajte.
- ▶ Prístup k vnútorným častiam produktu je povolený len výrobcovi produktu.

3 Preprava a uskladnenie

3.1 Prehľad

Táto kapitola obsahuje všetky informácie potrebné na prepravu a uskladnenie produktu a poskytuje prehľad dodaných položiek a dostupného príslušenstva pre produkt.

3.2 Rozbalenie

- ▶ Otvorte horné veko škatule.
- ▶ Vyberte obalové materiály.
- ▶ Rozbaľte obsah.
- ▶ Skontrolujte kompletnosť dodávky.
- ▶ Skontroluje, či dodávka nie je poškodená.

3.3 Dodávané položky a príslušenstvo

Dodávané položky

V zásielke sú zahrnuté nasledujúce položky:

- Produkt
- Napájací kábel (1197250-0x, 1197251-0x, 1197252-0x)
- Pokyny na inštaláciu
- Dodatok (voliteľné)
Ďalšie informácie: "Poznámky k čítaniu tejto dokumentácie", Strana 85

Príslušenstvo

Nasledujúce položky sú voliteľne dostupné a možno ich objednať od spoločnosti HEIDENHAIN ako ďalšie príslušenstvo:

Príslušenstvo	Číslo dielu
Stojan s Single-Pos Na pevnú montáž, uhol sklonu 20 °	1197273-01
Držiak s Multi-Pos Na upevnenie na rameno, plynule sklopný a otočný	1197273-02
Montážny rám Na montáž na panel. Kompatibilný len s produktmi DRO 203 a DRO 30x.	1197274-01
Kryt Na ochranu pred špinou a nečistotami	1197275-01
Vyhľadávač okrajov KT 130 Na identifikáciu obrobku (na určovanie referenčných bodov). Kompatibilný len s produktmi DRO 30x.	283273-xx
IOB 610 Na prepínanie funkcií vstupu a výstupu. Kompatibilný len s produktmi DRO 30x.	1197271-01

3.4 V prípade poškodenia počas prepravy

- ▶ Požiadajte prepravcu, aby potvrdil poškodenie.
- ▶ Nechajte si obalové materiály na účely kontroly.
- ▶ Označte poškodenie odosielateľovi.
- ▶ Obráťte sa na distribútora alebo výrobcu stroja a požiadajte o náhradné diely.



V prípade poškodenia počas prepravy:

- ▶ Nechajte si obalové materiály na účely kontroly.
- ▶ Obráťte sa na spoločnosť HEIDENHAIN alebo na výrobcu stroja.

Platí to aj v prípade, že sa počas prepravy poškodili vyžiadané náhradné diely.

3.5 Opätovné zabalenie a uloženie

Produkt opätovne zabaľte a uložte v súlade s podmienkami uvedenými ďalej.

Opätovné zabalenie

Opätovné zabalenie by malo čo najlepšie zodpovedať pôvodnému zabaleniu.

- ▶ Na produkt pripevnite všetky montážne diely a protiprachové kryty alebo ich znova zabaľte rovnakým spôsobom, akým boli pôvodne zabalené pri dodaní zo závodu.
- ▶ Produkt opätovne zabaľte tak, aby bol počas prepravy chránený pred nárazmi a vibráciami.
- ▶ Produkt opätovne zabaľte tak, aby bol chránený pred preniknutím prachu alebo vlhkosti.
- ▶ Zabaľte všetky diely príslušenstva, ktoré boli súčasťou balenia pri pôvodnej dodávke.

Ďalšie informácie: "Dodávané položky a príslušenstvo", Strana 89

- ▶ Priložte aj dodatok (ak bol súčasťou dodaných položiek), pokyny na inštaláciu a pokyny na obsluhu.

Ďalšie informácie: "Umiestnenie a distribúcia dokumentácie", Strana 86



Ak produkt vraciate na opravu servisnej agentúre:

- ▶ Produkt odošlite bez príslušenstva, bez meracích zariadení a bez periférnych zariadení.

Uskladnenie produktu

- ▶ Produkt zabaľte podľa predtým uvedeného opisu.
- ▶ Dodržiavajte stanovené podmienky okolia.
- ▶ Po každej preprave alebo dlhšom uskladnení skontrolujte poškodenie produktu.

4 Upevnenie

4.1 Prehľad

Táto kapitola obsahuje všetky informácie potrebné na upevnenie produktu.



Nasledujúce kroky smú vykonať len kvalifikovaní pracovníci.

Ďalšie informácie: "Kvalifikácia pracovníkov", Strana 87

4.2 Zostavenie

Všeobecné informácie o montáži

Zásuvka pre jednotlivé montážne varianty sa nachádza na zadnom paneli. Tento spoj je kompatibilný s normou VESA 100 mm x 100 mm.

DRO 10x: **Ďalšie informácie:** "G", Strana 125

DRO 203, DRO 30x: **Ďalšie informácie:** "K", Strana 126

Materiál na pripojenie montážnych variantov na zariadenie je súčasťou dodávky.

Budete potrebovať nasledujúce položky:

- Skrutkovač Torx T20
- 2,5 mm imbusový kľúč
- 7 mm nástrčný kľúč
- Materiál na montáž na podporný povrch



Produkt musí byť nainštalovaný na vhodnom stojane alebo držiaku, aby sa zabezpečila správna a zamýšľaná činnosť produktu.

Vedenie káblov



Na obrázkoch znázorňujúcich stojan a držiak nájdete návrhy vedenia káblov po montáži.

Stojan s Single-Pos: **Ďalšie informácie:** "C", Strana 4

Držiak s Multi-Pos: **Ďalšie informácie:** "D", Strana 4

Montážny rám: **Ďalšie informácie:** "E", Strana 4

V prípade montáže na stojan:

- ▶ Spojte káble dokopy.
- ▶ Prevedte káble cez otvor v stojane so zadnej strany.
- ▶ Vedte káble po bokoch spojov.

V prípade montáže na držiak:

- ▶ Spojte káble dokopy.
- ▶ Vedte káble po bokoch spojov.
- ▶ Pomocou sťahovacej pásky na káble pripevnite káble k ramenu.

4.2.1 Montáž na stojan s jednou polohou

Stojan s jednou polohou vám umožňuje umiestniť produkt na povrch pri sklone 20 ° alebo priskrutkovať produkt na povrch.

Upevnite stojan k horným závitovým otvorom VESA 100 na zadnom paneli produktu.

- ▶ Na dotiahnutie skrutiek so zapustenou hlavou M4 x 8 ISO 14581, ktoré sú súčasťou dodávky, použite skrutkovač Torx T20.
- ▶ Dodržte maximálny uťahovací moment 2,6 Nm.

Produkt zaistíte proti pohybu počas prevádzky.

- ▶ Na spodnú stranu produktu pripevnite dodané samolepiace gumené podložky.
- ▶ Ak produkt nepriskrutkujete k povrchu, pripevnite samolepiace gumené podložky na spodnú stranu stojana.



Samolepiace gumené podložky pripevnite na stojan len v prípade, že produkt nepriskrutkujete k povrchu.

Ďalšie informácie: "C", Strana 4

Rozmery stojana s jednou polohou

DRO 10x: **Ďalšie informácie:** "H", Strana 125

DRO 203, DRO 30x: **Ďalšie informácie:** "L", Strana 127

4.2.2 Montáž na držiak s viacerými polohami

Upevnite držiak k spodným závitovým otvorom VESA 100 na zadnom paneli produktu.

- ▶ Na dotiahnutie skrutiek so zapustenou hlavou M4 x 10 ISO 14581 (čierna), ktoré sú súčasťou dodávky, použite skrutkovač Torx T20.
- ▶ Dodržte maximálny uťahovací moment 2,5 Nm.

Držiak môžete sklopiť a otočiť do uhla, ktorý vám umožní pohodlne vidieť na zobrazovacie zariadenie.

Ďalšie informácie: "D", Strana 4

Rozmery stojana s viacerými polohami

DRO 10x: **Ďalšie informácie:** "I", Strana 126

DRO 203, DRO 30x: **Ďalšie informácie:** "M", Strana 127

4.2.3 Montáž do montážneho rámu



Montážny rám je kompatibilný len s produktmi DRO 203 a DRO 30x.

Montážny rám vám umožňuje nainštalovať produkt do panela.

Upevnite zadnú dosku rámu k závitovým otvorom VESA 100 na zadnom paneli produktu.

- ▶ Na dotiahnutie skrutiek M4 x 6 ISO 7380, ktoré sú súčasťou dodávky, použite 2,5 mm skrutkovač.
- ▶ Dodržte maximálny uťahovací moment 2,6 Nm.

Nainštalujte zadnú dosku a produkt na prednú dosku rámu.

- ▶ Na dotiahnutie matíc M4 ISO 10511, ktoré sú súčasťou dodávky, použite 7 mm nástrčný kľúč.
- ▶ Dodržte maximálny uťahovací moment 3,5 Nm.

Nainštalujte rám a zobrazovacie zariadenie do panela.

- ▶ Informácie o otvore v paneli a o montáži nájdete v pokynoch na montáž dodaných s montážnym rámom.

Ďalšie informácie: "E", Strana 4

Rozmery montážneho rámu

Ďalšie informácie: "N", Strana 127

4.2.4 Upevnenie krytu

Kryt chráni produkt pred špinou a nečistotami.

Nasadte kryt na produkt.

- ▶ Nasadte kryt na produkt.
- ▶ Pri pohľade na produkt spredu zarovnajte kryt s produktom na pravej strane.

Nasadenie krytu na produkt

- ▶ Odstráňte prekrytie lepiacim pásikom z lepiacich plôch.
- ▶ Zložte lepiace plochy smerom k produktu.
- ▶ Zatlačte lepiace plochy na produkt a prilepte plochu na produkt.

5 Inštalácia

5.1 Prehľad

Táto kapitola obsahuje všetky informácie potrebné na inštaláciu produktu.



Nasledujúce kroky smú vykonávať len kvalifikovaní pracovníci.

Ďalšie informácie: "Kvalifikácia pracovníkov", Strana 87

5.2 Všeobecné informácie

UPOZORNENIE

Pripájanie a odpájanie pripájacích prvkov!

Riziko poškodenia vnútorných komponentov.

- ▶ Nepripájajte ani neodpájajte žiadne pripájacie prvky, kým je zariadenie pod napätím.

UPOZORNENIE

Elektrostatický výboj!

Tento produkt obsahuje elektrostaticky citlivé komponenty, ktoré môže zničiť elektrostatický výboj.

- ▶ Je nevyhnutné dodržiavať bezpečnostné opatrenia na manipuláciu s komponentmi citlivými na elektrostatický výboj.
- ▶ Nikdy sa nedotýkajte kolíkov konektorov, ak nie je zaistené správne uzemnenie.
- ▶ Pri manipulácii s konektormi produktu používajte remienok na zápästie na uzemnenie elektrostatických výbojov.

UPOZORNENIE

Nesprávne priradenie kolíkov!

Môže to spôsobiť chyby produktu alebo poškodenie produktu.

- ▶ Priraďujte len kolíky alebo vodiče, ktoré sa používajú.

5.3 Prehľad produktu

Spoje na zadnom paneli zariadenia sú chránené protiprachovými krytmi pred kontamináciou a poškodením.

UPOZORNENIE

V prípade chýbajúcich protiprachových krytov môže dôjsť ku kontaminácii alebo poškodeniu!

To môže mať vplyv na správne fungovanie kontaktov alebo ich to môže zničiť.

- ▶ Protiprachové kryty zložte len pri pripájaní meracích zariadení alebo periférnych zariadení.
- ▶ Ak odstránite meracie zariadenie alebo periférne zariadenie, na daný konektor znova nasadte protiprachový kryt.



Typ a počet konektorov sa môže líšiť v závislosti od verzie produktu.

Zadný panel bez protiprachových krytov

DRO 10x: **Ďalšie informácie:** "A", Strana 3

DRO 203, DRO 30x: **Ďalšie informácie:** "B", Strana 3

Zadný panel

- 1 Vypínač a konektor napájania
- 2 Uzemňovací konektor podľa normy IEC 60471 – 5017
- 3 **X31:** Vysokorychlostný konektor USB 2.0 (typ C) pre veľkokapacitné zariadenie USB a pripojenie k počítaču (pod ochranným krytom)
- 4 **X1 až X4:** Variant zariadenia s 9-kolíkovými konektormi D-sub pre kódovače s rozhraním TTL
- 5 **X10:** 15-kolíkový konektor D-sub pre dotykové sondy a pomocné zariadenia (napr. dotyková sonda HEIDENHAIN, IOB). Dostupné len na produktoch DRO 30x.

5.4 Pripojenie ku kódovačom

- ▶ Zložte a uschovajte protiprachové kryty.
- ▶ Vedte káble v závislosti od montážneho variantu.

Ďalšie informácie: "Zostavenie", Strana 90

- ▶ Pevne pripojte káble kódovača k príslušným konektorom.

Ďalšie informácie: "Prehľad produktu", Strana 92

- ▶ Ak sú súčasťou konektorov montážne skrutky, nedoťahujte ich nadmernou silou.

Rozloženie kolíkov konektorov X1 až X4

Ďalšie informácie: "O", Strana 128

5.5 Pripojenie zariadenia USB

- ▶ Otvorte protiprachový kryt.
- ▶ Pripojte zariadenie USB alebo kábel k príslušnému konektoru.

Ďalšie informácie: "Prehľad produktu", Strana 92

Rozloženie kolíkov konektora X31

Ďalšie informácie: "P", Strana 128

5.6 Pripojenie dotykovej sondy



K produktu DRO 30x možno pripojiť nasledujúcu dotykovú sondu:

- Vyhľadávač okrajov HEIDENHAIN KT 130

Ďalšie informácie: "Príslušenstvo", Strana 89

- ▶ Zložte a uschovajte protiprachové kryty.
- ▶ Vedte káble v závislosti od montážneho variantu.

Ďalšie informácie: "Zostavenie", Strana 90

- ▶ Pevne pripojte dotykovú sondu ku konektoru X10.

Ďalšie informácie: "Prehľad produktu", Strana 92

- ▶ Ak sú súčasťou konektorov montážne skrutky, nedoťahujte ich nadmernou silou.

Rozloženie kolíkov konektora X10

Ďalšie informácie: "Q", Strana 128

5.7 Pripojenie napájania

VÝSTRAHA

Riziko zásahu elektrickým prúdom!

Nesprávne uzemnenie elektrických zariadení môže spôsobiť vážne zranenie osôb až smrteľné zranenie spôsobené zásahom elektrickým prúdom.

- ▶ Vždy používajte 3-vodičové napájacie káble.
- ▶ Skontrolujte, či je uzemňovací vodič správne pripojený k uzemneniu v rámci elektroinštalácie budovy.

VÝSTRAHA

Nebezpečenstvo požiaru spôsobené používaním napájacích káblov, ktoré nespĺňajú národné požiadavky krajiny, v ktorej je produkt nainštalovaný.

Nesprávne uzemnenie elektrických zariadení môže spôsobiť vážne zranenie osôb až smrteľné zranenie spôsobené zásahom elektrickým prúdom.

- ▶ Používajte len napájací kábel, ktorý spĺňa minimálne národné požiadavky krajiny, v ktorej je produkt nainštalovaný.

- ▶ Použite napájací kábel, ktorý spĺňa príslušné požiadavky na pripojenie napájania k 3-vodičovej uzemnenej napájacej zásuvke.

Ďalšie informácie: "Prehľad produktu", Strana 92

Rozloženie kolíkov napájacieho konektora

Ďalšie informácie: "R", Strana 128

6 Špecifikácie

6.1 Špecifikácie produktu

Produkt

Puzdro	Hliník liaty pod tlakom
Rozmery puzdra	DRO 10x <ul style="list-style-type: none">285 mm x 160 mm x 46 mm DRO 203, DRO 30x <ul style="list-style-type: none">285 mm x 180 mm x 46 mm
Systém upevnenia, rozmery pripojenia	VESA MIS-D, 100 100 mm x 100 mm

Displej

Vizuálna zobrazovacia jednotka	<ul style="list-style-type: none">Širokouhlá (15:9) LCD farebná obrazovka 17,8 cm (7")800 x 480 pixelov
Používateľské rozhranie	Používateľské rozhranie (GUI) s tlačidlami

Údaje o elektrickom napájaní

Napájanie	<ul style="list-style-type: none">AC 100 V ... 240 V (± 10 %)50 Hz ... 60 Hz (± 5 %)Max. vstupný výkon. 30 W
-----------	--

Kategória prepätia	II
--------------------	----

Počet vstupov kódovača	DRO 10x <ul style="list-style-type: none">1, 2 alebo 3 DRO 203 <ul style="list-style-type: none">3 DRO 30x <ul style="list-style-type: none">3 alebo 4
------------------------	--

Rozhrania kódovača	TTL: Max. prúd 300 mA max. vstupná frekvencia 500 kHz
--------------------	--

KT 130, rozhranie IOB 610	DC 5 V (± 5 %)
---------------------------	---------------------

Dátové rozhranie	USB 2.0 Hi-Speed (typ C), max. prúd 500 mA
------------------	--

Podmienky prostredia

Prevádzková teplota	0 °C ... 45 °C
Skladovacia teplota	-20 °C ... 70 °C
Relatívna vlhkosť vzduchu	40 % ... 80 %, bez kondenzácie
Nadmorská výška	$\leq 2\,000$ m

Všeobecné informácie

Smernice	<ul style="list-style-type: none">Smernica 2014/30/EÚ o elektromagnetickej kompatibiliteSmernica 2014/35/EÚ o nízkonapäťových zariadeniach
----------	---

Stupeň znečistenia	2
--------------------	---

Ochrana EN 60529	<ul style="list-style-type: none">Predný panel a bočné panely: IP 54Zadný panel: IP 40
------------------	---

Hmotnosť	DRO 10x <ul style="list-style-type: none">1,5 kgSo stojanom s Single-Pos : 1,6 kgS držiakom s Mult-Pos: 1,9 kg DRO 203, DRO 30x <ul style="list-style-type: none">1,9 kgSo stojanom s Single-Pos : 2,0 kgS držiakom s Multi-Pos: 2,3 kgS montážnym rámom: 3,3 kg
----------	---

6.2 Rozmery produktu a pripevnenia

Ďalšie informácie: Strana 125 a nasledujúce strany.

Všetky rozmery v nákresoch sú uvedené v milimetroch.

1 Temel Bilgiler

1.1 Bu talimatlar hakkında

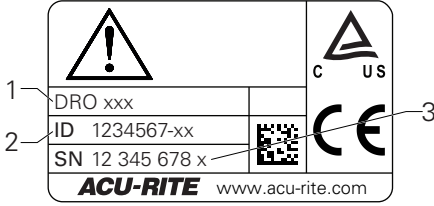
Bu talimatlarda, ürünün uygun şekilde monte edilmesi ve kurulumu için gerekli tüm bilgiler ve güvenlik önlemleri verilmiştir.

1.2 Ürünle ilgili bilgiler

Ürün tanılama	Parça numarası
DRO 101 1 eksenli	1197252-xx
DRO 102 2 eksenli	
DRO 103 3 eksenli	
DRO 203 3 eksenli	1197250-xx
DRO 303 3 eksenli, IOB 610/KT 130 bağlantılı	1197251-xx
DRO 304 4 eksenli, IOB 610/KT 130 bağlantılı	

Kimlik etiketi, ürünün arka kısmında yer alır.

Örnek:



- 1 Ürün tanılama
- 2 Parça numarası
- 3 Dizin

Belgenin geçerliliği

Belgeleri ve ürünü kullanmadan önce belgelerin ürünle eşleştiğini doğrulamanız gerekir.

- ▶ Belgelerde belirtilen parça numarasını ve dizini, ürünün kimlik etiketinde belirtilen ilgili verilerle karşılaştırın
- ▶ Parça numaraları ve dizinler eşleşiyorsa belge geçerlidir



Parça numaraları ve dizinler eşleşmiyorsa ve belge geçerli değilse ürün için geçerli belgeleri www.acu-rite.com adresinde bulabilirsiniz.

1.3 Belgeleri okumayla ilgili notlar

Aşağıdaki tabloda, belgelerin bileşenleri okuma önceliği sırasına göre listelenmiştir.

⚠ UYARI	
Belgelere uyulmamasından kaynaklanan ölümcül kazalar, bedensel yaralanmalar veya maddi hasarlar!	
Belgelere uyulmaması ölümcül kazalarla, bedensel yaralanmalarla veya maddi hasarla sonuçlanabilir.	
<ul style="list-style-type: none">▶ Belgeleri baştan sona dikkatli bir şekilde okuyun▶ Belgeleri gelecekte referans olarak kullanmak üzere saklayın	

Belgeler	Açıklama
Ek	Ek, Kullanım Talimatları'nı ve varsa Kurulum Talimatları'nı tamamlar veya bu talimatların yerini alır. Bu belge sevkiyata dahil edilmişse devam etmeden önce ilk olarak bunu okuyun. Belgelerin diğer tüm içerikleri geçerliliğini korur.
Kurulum Talimatları	Kurulum Talimatlarında, ürünün uygun şekilde monte edilmesi ve kurulumu için gerekli tüm bilgiler ve güvenlik önlemleri verilmiştir. Kullanım Talimatları'nın bir kısmını teşkil eder ve her sevkiyata dahil edilir. Bu belge, okunması gereken ikinci öncelikli belgedir.
Kullanım Talimatları	Kullanım Talimatlarında, ürünün kullanım amacına göre uygun şekilde kullanılması için gerekli tüm bilgiler ve güvenlik önlemleri verilmiştir. Bu belge, okunması gereken üçüncü öncelikli belgedir. Bu belgeler, www.acu-rite.com adresindeki indirme alanından indirilebilir. Kullanım Talimatları, ürün hizmete alınmadan önce yazdırılmalıdır.
Bağlı ölçüm cihazlarının ve diğer çevresel birimlerin belgeleri	Bu belgeler teslimata dahil değildir. İlgili ölçüm cihazlarıyla ve çevresel birimlerle birlikte gönderilir.
Değişiklik mi yapmak istiyorsunuz ya da herhangi bir hata mı buldunuz?	
Belgelerimizi sizin için sürekli geliştirmeye çalışıyoruz. Lütfen aşağıdaki e-posta adresine taleplerinizi göndererek bize yardımcı olun: userdoc@acu-rite.de	

1.4 Belgelerin saklanması ve dağıtılması

Talimatlar her zaman, çalışma yerinin hemen yakınında bulundurulmalı ve tüm personelce erişilebilir olmalıdır. İşletme şirketi, bu talimatların nerede saklandığı konusunda personele bilgi vermelidir. Talimatlar okunaksız hale geldiyse işletme şirketi üreticiden yedek belgeler talep etmelidir.

Ürün bir başka tarafa verildiğinde ya da satıldığında aşağıdaki belgeler yeni sahibine devredilmelidir:

- Varsa Ek
- Kurulum Talimatları
- Kullanım Talimatları

1.5 Talimatların hedef kitlesi

Kurulum Talimatları, aşağıdaki görevlerden herhangi birini yapan herkes tarafından okunmalı ve gözetilmelidir:

- Montaj
- Kurulum

1.6 Bu belgelerdeki notlar

Güvenlik önlemleri

Bu talimatlarda ve işleme aletinizin üretici belgelerinde belirtilen tüm güvenlik önlemlerine uyun!

Önlem ifadeleri ürünün kullanılmasıyla ilgili tehlikelere karşı uyarır ve bu tehlikeleri önlemeye ilişkin bilgiler sağlar.

Önlem ifadeleri, tehlikenin ciddiyet derecesine göre sınıflandırılır ve aşağıdaki gruplara ayrılır:

⚠ TEHLİKE

Tehlike, kişilere yönelik tehlikeleri ifade eder. Kaçınma talimatlarına uymazsanız tehlike **ölümle ya da ciddi yaralanmayla sonuçlanabilir**.

⚠ UYARI

Uyarı, kişilere yönelik tehlikeleri ifade eder. Kaçınma talimatlarına uymazsanız tehlike **ölümle ya da ağır yaralanmayla sonuçlanır**.

⚠ İKAZ

Dikkat, kişilere yönelik tehlikeleri ifade eder. Kaçınma talimatlarına uymazsanız tehlike **hafif ya da orta şiddette yaralanmayla sonuçlanır**.

BİLGİ

Not, malzemeler veya verilerle ilgili tehlikeleri ifade eder. Kaçınma talimatlarına uymazsanız tehlike **maddi hasar gibi bedensel yaralanma dışında tehlikelerle sonuçlanabilir**.

Bilgilendirici notlar

Ürünün güvenilir ve etkili bir şekilde çalışması için bu talimatlarda verilen bilgi notlarına uyun.

Bu talimatlarda aşağıdaki bilgi notlarını bulacaksınız:



Bilgi simgesi, bir **ipucuna** işaret eder. İpucu, önemli ek ya da tamamlayıcı bilgi içerir.



Dişli simgesi, açıklanan işlevin **makineye bağlı olduğunu gösterir**, ör.

- Makinenizde belirli bir yazılım ya da donanım seçeneği olmalıdır
- İşlevin davranışı, yapılandırılabilir makine ayarlarına bağlıdır



Kitap simgesi, harici belgelere **çapraz referansı** temsil eder, ör. işleme aletinizin üreticisinin ya da diğer tedarikçinin belgeleri.

2 Güvenlik

2.1 Genel güvenlik önlemleri

Sistemin kullanılması sırasında genel kabul görmüş güvenlik önlemlerine, özellikle de elektrikli ekipmanların kullanılmasına ilişkin geçerli önlemlere uyulmalıdır. Bu güvenlik önlemlerine uyulmaması, bedensel yaralanmayla ya da ürün hasarıyla sonuçlanabilir.

Güvenlik kurallarının şirketten şirkete değiştiği bilinmektedir. Bu talimatların içeriği ile sistemin kullanıldığı şirketin kuralları arasında bir çelişki olması durumunda, daha sıkı kurallar öncelikli olacaktır.

2.2 Kullanım amacı

DRO 100, DRO 200 ve DRO 300 serisi ürünler, manuel olarak çalıştırılan işleme aletlerinde kullanım için tasarlanmış gelişmiş dijital göstergelerdir. Doğrusal ve açılı kodlayıcılarla birlikte DRO 100, DRO 200 ve DRO 300 serisi dijital göstergeler, aletin konumunu birden fazla eksende göstererek işleme aletini çalıştırmak için ek işlevler sağlar.

DRO 100, DRO 200 ve DRO 300 serisi ürünler:

- yalnızca ticari uygulamalarda ve endüstriyel ortamda kullanılmalıdır
- ürünün doğru ve amaçlandığı gibi çalışması için uygun bir stand ya da tutucuya yerleştirilmesi gerekir
- nem, kir, yağ ve yağlayıcıların neden olduğu kirliliğin teknik özellik gerekliliklerine uygun olduğu ortamda kapalı mekanlarda kullanıma yönelik olarak tasarlanmıştır



DRO 100, DRO 200 ve DRO 300 serisi ürünler farklı üreticilerin ürettiği çok çeşitli çevresel cihazların kullanımını destekler. HEIDENHAIN bu cihazların kullanım amacına ilişkin hiçbir beyanda bulunamaz. İlgili belgelerde, kullanım amacına yönelik olarak sağlanan bilgilere uyulmalıdır.

2.3 Uygun olmayan kullanım

Ürün kullanılırken hiç kimsenin tehlike altında olmadığından emin olunmalıdır. Böyle bir tehlike mevcutsa işletme şirketi tarafından uygun önlemler alınmalıdır.

Ürün, özellikle aşağıdaki koşullarda kullanılmamalıdır:

- Teknik özellikler dışında kullanım ve saklama
- Dış mekanda kullanım
- Patlama potansiyeli olan atmosferlerde kullanım
- Ürünün bir güvenlik işlevinin parçası olarak kullanılması

2.4 Personel vasıfları

Montaj ve kurulum personeli, bu iş için gereken vasıflara sahip olmalı ve ürünle ve bağlı çevresel birimlerle birlikte verilen belgelerden yeterince bilgi edinmiş olmalıdır.

Ürün üzerinde gerçekleştirilecek bağımsız işlemler için gerekli personel, bu talimatların ilgili bölümlerinde belirtilmiştir.

Montajdan ve kurulumdan sorumlu personel grupları, aşağıda belirtildiği şekilde farklı vasıflara ve görevlere sahiptir.

Vasıflı personel

Vasıflı personel, gelişmiş işlemleri ve parametre ayarlarını yapmak üzere işletme şirketinden eğitim almış personeldir. Vasıflı personel gerekli teknik eğitime, bilgi birikimine ve deneyime sahiptir, geçerli mevzuatları bilir ve dolayısıyla söz konusu uygulamaya ilişkin kendisine verilen görevi yerine getirme ve olası riskleri proaktif bir şekilde tanımlama ve bu risklerden kaçınma becerisine sahiptir.

Elektrik uzmanı

Elektrik uzmanı gerekli teknik eğitime, bilgi birikimine ve deneyime sahiptir, geçerli standartları ve mevzuatları bilir ve dolayısıyla elektrik sistemleri üzerinde çalışma yapma ve olası riskleri proaktif bir şekilde tanımlama ve bu risklerden kaçınma becerisine sahiptir. Elektrik uzmanları, çalıştıkları ortam için özel olarak eğitim almıştır.

Elektrik uzmanları, kazaların önlenmesine ilişkin geçerli hukuki düzenlemelerinin hükümlerine uymalıdır.

2.5 İşletme şirketinin yükümlülükleri

İşletme şirketi, ürünün ve çevre birimlerin sahibi ya da kiralayandır. Kullanım amacına her zaman uyulmasından sorumludur.

İşletme şirketi:

- Ürün üzerinde gerçekleştirilecek farklı görevleri uygun, vasıflı ve yetkili personele atamalıdır
- Personele gerçekleştirme yetkisi bulunan görevler ve bu görevlerin nasıl gerçekleştirileceği ile ilgili eğitim vermelidir
- Personelin kendilerine atanan görevleri tamamlaması için gerekli tüm malzemeleri ve araçları sağlamalıdır
- Ürünün yalnızca mükemmel teknik koşullarda çalıştırılmasını sağlamalıdır
- Ürünün yetkisiz kullanıma karşı korunmasını sağlamalıdır

2.6 Genel güvenlik önlemleri



Bu ürünün aksesuar olarak eklendiği sistemlerin güvenliği, söz konusu sistemin montajını ya da kurulumunu gerçekleştiren kişilerin sorumluluğu altındadır.



Ürün, farklı üreticilerin çok çeşitli çevresel cihazları kullanmalarını destekler. HEIDENHAIN bu cihazlar için alınacak belirli güvenlik önlemleri hususunda hiçbir beyanda bulunamaz. İlgili belgelerde bulunan güvenlik önlemleri uygulanmalıdır. Bu tip bilgiler sağlanmamışsa ilgili üreticiden alınmalıdır.

Ürün üzerinde gerçekleştirilecek bağımsız işlemler için gerekli özel güvenlik önlemleri bu talimatların ilgili bölümlerinde belirtilmiştir.

2.6.1 Talimatlardaki semboller

Bu kılavuzda aşağıdaki güvenlik sembolleri kullanılmıştır:

Sembol	Anlamı
	Bedensel yaralanmaya karşı uyarıcı bilgileri tanımlar
	Elektrostatik hassas cihazları (ESD) tanımlar
	Kişisel topraklama için ESD bilek bandı

2.6.2 Ürün üzerindeki semboller

Ürünü tanımlamak için aşağıdaki semboller kullanılmıştır:

Sembol	Anlamı
	Ürünü bağlamadan önce elektrik ve güç bağlantısı ile ilgili güvenlik önlemlerine uyun
	IEC 60417 - 5017'ye uygun topraklama (toprak) terminali. Kurulum ile ilgili bilgilere uyun.

2.6.3 Elektrik güvenliği talimatları

UYARI

Ürünü açarken elektrikli parçalarla temas etme tehlikesi.

Bu; elektrik çarpmasına, yanıklara ya da ölüme neden olabilir.

- ▶ Muhafazayı asla açmayın
- ▶ Ürünün içine erişme yetkisi yalnızca üreticiye aittir

UYARI

Elektrikli parçalarla doğrudan ya da dolaylı temas sonucunda insan bedeninden tehlikeli miktarda elektrik akımı geçmesi tehlikesi mevcuttur.

Bu; elektrik çarpmasına, yanıklara ya da ölüme neden olabilir.

- ▶ Elektrik sistemleri ve elektrikli parçalar üzerinde çalışma yalnızca eğitimli uzmanlar tarafından yapılacaktır
- ▶ Güç bağlantısı ve tüm arabirim bağlantıları için yalnızca geçerli standartlara uygun kablolar ve konektörler kullanın
- ▶ Üreticiden kusurlu elektrik bileşenlerini derhal değiştirmesini talep edin
- ▶ Tüm bağlı kabloları ve ürün üzerindeki tüm bağlantıları düzenli olarak kontrol edin. Gevşek bağlantılar veya yanmış kablolar gibi kusurlu kısımlar derhal çıkarılmalıdır

BİLGİ

Ürünün iç kısımları hasar görebilir!

Ürünün açılması, garantinin geçersiz hale gelmesine neden olabilir.

- ▶ Muhafazayı asla açmayın
- ▶ Ürünün içine erişme yetkisi yalnızca ürünün üreticisine aittir

3 Taşıma ve saklama

3.1 Genel Bakış

Bu bölümde, ürünün taşınması ve saklanması için gereken tüm bilgiler mevcuttur ve verilen öğeler ile ürün için mevcut aksesuarlar hakkında genel bilgi verilmiştir.

3.2 Ambalajı açma

- ▶ Kutunun üst kapağını açın
- ▶ Ambalaj malzemelerini çıkarın
- ▶ İçindekileri paketten çıkarın
- ▶ Eksiksiz teslim edildiğini kontrol edin
- ▶ Hasarsız teslim edildiğini kontrol edin

3.3 Verilen öğeler ve aksesuarlar

Verilen öğeler

Aşağıdaki öğeler, teslimata dahildir:

- Ürün
- Güç kablosu (1197250-0x, 1197251-0x, 1197252-0x)
- Kurulum talimatları
- Ek (isteğe bağlı)
Diğer bilgiler: "Belgeleri okumayla ilgili notlar", Sayfa 95

Aksesuarlar

Aşağıdaki öğeler isteğe bağlı olarak sunulur ve HEIDENHAIN'den ek aksesuar olarak sipariş edilebilir:

Aksesuarlar	Parça numarası
Single-Pos stant Sabit montaj için, 20° eğim açısı	1197273-01
Multi-Pos tutucu Sürekli yatırılabilir ve döndürülebilir bir kola sabitlemek için	1197273-02
Montaj çerçevesi Bir panele monte etmek için. Yalnızca DRO 203 ve DRO 30x ürünleri ile uyumludur.	1197274-01
Kapak Kire ve kalıntılara karşı korumak için	1197275-01
KT 130 kenar bulucu İş parçası problama için (referans noktalarını ayarlamak için). Yalnızca DRO 30x ürünleri ile uyumludur.	283273-xx
IOB 610 Giriş ve çıkış işlevlerini değiştirmek için. Yalnızca DRO 30x ürünleri ile uyumludur.	1197271-01

3.4 Taşıma sırasında hasar oluşması durumunda

- ▶ Taşıma acentesine hasarı doğrulatin
- ▶ Ambalaj malzemelerini inceleme için saklayın
- ▶ Gönderene hasarı bildirin
- ▶ Yedek parça için distribütörle veya makine üreticisi ile iletişime geçin



Taşıma sırasında hasar oluşması durumunda:

- ▶ Ambalaj malzemelerini inceleme için saklayın
- ▶ HEIDENHAIN veya makine üreticisi ile iletişime geçin

Bu, talep edilen yedek parçalarda taşıma sırasında oluşan hasarlar için de geçerlidir.

3.5 Yeniden ambalajlama ve saklama

Ürünü aşağıda belirtilen koşullara uygun şekilde yeniden ambalajlayın ve saklayın.

Yeniden ambalajlama

Yeniden ambalajlama, orijinal ambalaja mümkün olduğunca yakın olmalıdır.

- ▶ Tüm montaj parçalarını ve toz koruma kapaklarını ürüne takın veya fabrikadan orijinal olarak gönderildiği şekilde ambalajlayın.
- ▶ Ürünü, taşıma sırasında darbelere ve titreşime karşı korunacak şekilde yeniden ambalajlayın
- ▶ Ürünü, toz veya nem girişine karşı korunacak şekilde yeniden ambalajlayın
- ▶ Orijinal ambalajda sevkiyata dahil olan tüm aksesuarları yerleştirin

Diğer bilgiler: "Verilen öğeler ve aksesuarlar", Sayfa 99

- ▶ Ek'i (verilen öğelere dahil edilmişse), kurulum talimatlarını ve Kullanım Talimatları'nı ekleyin

Diğer bilgiler: "Belgelerin saklanması ve dağıtılması", Sayfa 96



Ürünü onarım için bir servis acentesine iade ediyorsanız:

- ▶ Ürünü aksesuarlar olmadan, ölçüm cihazları olmadan ve çevresel cihazlar olmadan gönderin

Ürünün saklanması

- ▶ Ürünü yukarıda açıklandığı gibi ambalajlayın
- ▶ Belirtilen ortam koşullarına uyun
- ▶ Taşıma sonrasında veya uzun süre saklandığında ürünün hasar görüp görmediğini kontrol edin

4 Montaj

4.1 Genel Bakış

Bu bölümde, ürünün monte edilmesine ilişkin tüm bilgiler yer almaktadır.



Aşağıdaki adımlar nitelikli personel tarafından gerçekleştirilmelidir.

Diğer bilgiler: "Personel vasıfları", Sayfa 97

4.2 Montaj

Genel montaj bilgileri

Montaj değişkenlerinin duyları arka panelde yer almaktadır. Bağlantı, VESA standardı olan 100 mm x 100 mm ölçüsüne uygundur.

DRO 10x: **Diğer bilgiler:** "G", Sayfa 125

DRO 203, DRO 30x: **Diğer bilgiler:** "K", Sayfa 126

Montaj değişkenlerini takmak için gereken malzemeler teslimata dahil edilmiştir.

Ayrıca şunlar gerekir:

- Torx T20 tornavida
- 2,5 mm alyan anahtarı
- 7 mm lokma anahtarı
- Destek yüzeyine montaj için malzeme



Ürün, doğru ve amaçlandığı gibi çalışması için bir stand ya da tutucuya yerleştirilmelidir.

Kabloların yönlendirilmesi



Standın ve tutucunun gösterildiği şekillerde montaj sonrasında kabloların yönlendirilmesine ilişkin önerileri bulabilirsiniz.

Single-Pos stant: **Diğer bilgiler:** "C", Sayfa 4

Multi-Pos tutucu: **Diğer bilgiler:** "D", Sayfa 4

Montaj çerçevesi: **Diğer bilgiler:** "E", Sayfa 4

Bir standta monte edecekseniz:

- ▶ Kabloları birleştirin
- ▶ Kabloları, stanttaki deliklere arkadan geçirerek yönlendirin
- ▶ Kabloları bağlantılara yanal olarak yönlendirin

Bir tutucuya monte edecekseniz:

- ▶ Kabloları birleştirin
- ▶ Kabloları bağlantılara yanal olarak yönlendirin
- ▶ Kabloları kablo bağları ile kola sabitleyin

4.2.1 Tek Konumlu standta monte etme

Tek Konumlu stant, ürünü 20° eğim açısına sahip bir yüzeye yerleştirmenize ya da ürünü bir yüzeye vidalamanıza olanak sağlar.

Standı, ürünün arka panelindeki üst VESA 100 dişli deliklere monte edin

- ▶ Teslimata dahil olan M4 x 8 ISO 14581 gömme başlı vidaları bir Torx T20 tornavida ile sıkın
- ▶ İzin verilen 2,6 Nm sıkma torkuna uyun

Ürünü, çalışma sırasında hareket etmemesi için sabitleyin

- ▶ Verilen kendinden yapışkanlı lastik tamponları ürünün altına yerleştirin
- ▶ Ürünü bir yüzeye vidalamayacaksanız standın altına kendinden yapışkanlı lastik tamponlar yerleştirin



Lastik tamponları yalnızca ürünü bir yüzeye vidalamayacaksanız standın altına yerleştirin.

Diğer bilgiler: "C", Sayfa 4

Tek Konumlu standın boyutları

DRO 10x: **Diğer bilgiler:** "H", Sayfa 125

DRO 203, DRO 30x: **Diğer bilgiler:** "L", Sayfa 127

4.2.2 Çok Konumlu tutucuya monte etme

Tutucuyu, ürünün arka panelindeki alt VESA 100 dişli deliklere monte edin

- ▶ Teslimata dahil olan M4 x 10 ISO 14581 (siyah) gömme başlı vidaları bir Torx T20 tornavida ile sıkın
- ▶ İzin verilen 2,5 Nm sıkma torkuna uyun

Tutucuyu, göstereyi rahatça görebileceğiniz bir açığa eğebilir ve döndürebilirsiniz.

Diğer bilgiler: "D", Sayfa 4

Çok Konumlu tutucunun boyutları

DRO 10x: **Diğer bilgiler:** "I", Sayfa 126

DRO 203, DRO 30x: **Diğer bilgiler:** "M", Sayfa 127

4.2.3 Bir montaj çerçevesine monte etme



Montaj çerçevesi yalnızca DRO 203 ve DRO 30x ürünleri ile uyumludur.

Montaj çerçevesi, ürünü bir panele monte etmenize olanak sağlar.

Çerçevenin arka plakasını, ürünün arka panelindeki VESA 100 dişli deliklere monte edin

- ▶ Teslimata dahil olan M4 x 6 ISO 7380 vidaları 2,5 mm alyan anahtarı ile sıkın
- ▶ İzin verilen 2,6 Nm sıkma torkuna uyun

Arka plakayı ve ürünü, çerçevenin ön plakasına monte edin

- ▶ Teslimata dahil olan M4 ISO 10511 somunları 7 mm lokma anahtarı ile sıkın
- ▶ İzin verilen 3,5 Nm sıkma torkuna uyun

Çerçeveyi ve göstergeli panele monte edin

- ▶ Panel oyuğu ve montaj bilgileri için montaj çerçevesi ile birlikte verilen montaj talimatlarına bakın

Diğer bilgiler: "E", Sayfa 4

Montaj çerçevesinin boyutları

Diğer bilgiler: "N", Sayfa 127

4.2.4 Kapağı monte etme

Kapak, ürünü toza ve kalıntılara karşı korur.

Kapağı ürüne takın

- ▶ Kapağı ürünün üzerine takın
- ▶ Ürüne önden baktığınızda kapağı ve ürünü sağ tarafta hizalayın

Kapağı ürüne monte edin

- ▶ Yapışkan tırnaklardaki yapışkan şerit koruyucularını çıkarın
- ▶ Yapışkan tırnakları ürüne doğru katlayın
- ▶ Yapışkan tırnakları ürüne doğru bastırarak tırnağı ürüne sabitleyin

5 Kurulum

5.1 Genel Bakış

Bu bölümde, ürünün kurulumuna ilişkin tüm bilgiler yer almaktadır.



Aşağıdaki adımlar yalnızca vasıflı personel tarafından yerine getirilmelidir.

Diğer bilgiler: "Personel vasıfları", Sayfa 97

5.2 Genel bilgiler

BİLGİ

Bağlantı elemanlarının takılması ve çıkarılması!

İç bileşenlerin hasar görmesi riski vardır.

- ▶ Birime güç verilmiş haldeyken hiçbir bağlantı elemanını takıp çıkarmayın

BİLGİ

Elektrostatik boşalma (ESD)!

Bu ürün, elektrostatik boşalmadan (ESD) hasar görebilecek elektrostatığe karşı hassas bileşenler içermektedir.

- ▶ ESD hassasiyeti olan bileşenler kullanılırken güvenlik talimatlarına uyulması çok önemlidir
- ▶ Uygun topraklamayı sağlamadan konektör pimlerine asla dokunmayın
- ▶ Ürün bağlantılarına dokunurken her zaman topraklamalı ESD bilek bandı takın

BİLGİ

Yanlış pim hizalaması!

Bu, ürün arızalarına ya da ürünün hasar görmesine neden olabilir.

- ▶ Yalnızca kullanılan pimleri ya da kabloları atayın

5.3 Ürüne genel bakış

Cihazın arka panelindeki bağlantılar, toz koruma kapaklarıyla kirlenme ve hasara karşı korunur.

BİLGİ

Toz koruma kapakları yoksa kirlenme ya da hasar oluşabilir!

Bu, kontakların düzgün çalışmasını etkileyebilir ya da kontaklara zarar verebilir.

- ▶ Toz koruma kapaklarını, yalnızca ölçüm cihazlarını ya da çevresel birimleri bağlarken çıkarın
- ▶ Bir ölçüm cihazını ya da çevresel birimi çıkardığınızda toz koruma kapağını bağlantıya tekrar takın

i Bağlantı türü ve sayısı, ürün modeline bağlı olarak farklılık gösterebilir.

Toz koruma kapaksız arka panel

DRO 10x: **Diğer bilgiler:** "A", Sayfa 3

DRO 203, DRO 30x: **Diğer bilgiler:** "B", Sayfa 3

Arka panel

- 1 Güç şalteri ve güç bağlantısı
- 2 IEC 60471 - 5017'ye uygun topraklama (toprak) terminali
- 3 **X31:** USB yığın depolama aygıtı ve bilgisayar bağlantısı için USB 2.0 Hi-Speed bağlantısı (Tip C) kullanın (koruyucu kapağın altındadır)
- 4 **X1 - X4:** TTL arabirimli kodlayıcılar için 9 pimli D-sub bağlantılı cihaz değişkeni
- 5 **X10:** Dokunmatik problemler ve yardımcı cihazlar (ör. HEIDENHAIN dokunmatik prob, IOB) için 15 pimli D-sub bağlantısı. Yalnızca DRO 30x ürünlerinde mevcuttur.

5.4 Kodlayıcıları bağlama

- ▶ Toz koruma kapaklarını çıkarın ve kaybolmayacak bir yere kaldırın
- ▶ Montaj değişkenine bağlı olarak kabloları yönlendirin

Diğer bilgiler: "Montaj", Sayfa 100

- ▶ Kodlayıcı kablolarını ilgili bağlantılara sıkıca bağlayın
- Diğer bilgiler:** "Ürüne genel bakış", Sayfa 102
- ▶ Kablo konektörleri montaj vidaları içeriyorsa bu vidaları aşırı sıkmayın

X1 - X4 pim düzeni

Diğer bilgiler: "O", Sayfa 128

5.5 Bir USB cihazı bağlama

- ▶ Toz koruma kapağını açın
- ▶ USB cihazını ya da kablosunu ilgili bağlantıya bağlayın

Diğer bilgiler: "Ürüne genel bakış", Sayfa 102

X31 pim düzeni

Diğer bilgiler: "P", Sayfa 128

5.6 Dokunmatik probun bağlanması



Aşağıdaki dokunmatik prob bir DRO 30x ürününe bağlanabilir:

- HEIDENHAIN KT 130 kenar bulucu

Diğer bilgiler: "Aksesuarlar", Sayfa 99

- ▶ Toz koruma kapaklarını çıkarın ve kaybolmayacak bir yere kaldırın
- ▶ Montaj değişkenine bağlı olarak kabloları yönlendirin

Diğer bilgiler: "Montaj", Sayfa 100

- ▶ Dokunmatik probu X10 bağlantısına sıkıca bağlayın

Diğer bilgiler: "Ürüne genel bakış", Sayfa 102

- ▶ Kablo konektörleri montaj vidaları içeriyorsa bu vidaları aşırı sıkmayın

X10 pim düzeni

Diğer bilgiler: "Q", Sayfa 128

5.7 Hat voltajını bağlama

⚠ UYARI

Elektrik çarpması riski!

Elektrikli cihazların düzgün şekilde topraklanmaması ciddi bedensel yaralanmaya ya da elektrik çarpması nedeniyle ölüme yol açabilir.

- ▶ Her zaman 3 telli güç kablosu kullanın
- ▶ Topraklama kablosunun binanın elektrik tesisatının topraklamasına doğru şekilde bağlandığından emin olun

⚠ UYARI

Ürünün monte edildiği ilgili ülkedeki ulusal gerekliliklere uygun olmayan güç kablolarının kullanılmasından kaynaklanan yangın tehlikesi.

Elektrikli cihazların düzgün şekilde topraklanmaması ciddi bedensel yaralanmaya ya da elektrik çarpması nedeniyle ölüme yol açabilir.

- ▶ En azından ürünün monte edildiği ilgili ülkedeki ulusal gerekliliklere uygun bir güç kablosu kullanın
- ▶ Güç bağlantısını 3 telli topraklamalı bir güç çıkışına bağlama gerekliliklerini karşılayan bir güç kablosu kullanın

Diğer bilgiler: "Ürüne genel bakış", Sayfa 102

Güç bağlantısının pim düzeni

Diğer bilgiler: "R", Sayfa 128

6 Özellikler

6.1 Ürünün teknik özellikleri

Ürün

Muhafaza	Basınçlı alüminyum döküm
Muhafaza boyutları	DRO 10x <ul style="list-style-type: none">285 mm x 160 mm x 46 mm DRO 203, DRO 30x <ul style="list-style-type: none">285 mm x 180 mm x 46 mm
Sabitleyici sistemi, birleştirme ölçüleri	VESA MIS-D, 100 100 mm x 100 mm

Ekran

Görsel görüntü ünitesi	<ul style="list-style-type: none">Geniş LCD (15:9) renkli ekran 17,8 cm (7 inç)800x 480 piksel
Kullanıcı arabirimi	Klavyeli kullanıcı arabirimi (GUI)

Elektriksel veriler

Güç kaynağı	<ul style="list-style-type: none">AC 100 V ... 240 V (\pm%10)50 Hz ... 60 Hz (\pm%5)Maks. giriş gücü 30 W
Aşırı gerilim kategorisi	II
Kodlayıcı girişi sayısı	DRO 10x <ul style="list-style-type: none">1, 2 veya 3 DRO 203 <ul style="list-style-type: none">3 DRO 30x <ul style="list-style-type: none">3 veya 4
Kodlayıcı arabirimleri	TTL: Maks. akım 300 mA maks. giriş frekansı 500 kHz
KT 130, IOB 610 arabirimi	DC 5 V (\pm %5)
Veri arabirimi	USB 2.0 Hi-Speed (Tip C), maks. akım 500 mA

Ortam koşulları

Çalıştırma sıcaklığı	0°C ... 45°C
Saklama sıcaklığı	-20°C ... 70°C
Bağıl nem	%40 ... %80 bağıl nem, yoğuşmasız
Rakım	\leq 2000 m

Genel bilgiler

Direktifler	<ul style="list-style-type: none">EMC Direktifi 2014/30/EUDüşük Voltaj Direktifi 2014/35/EU
Kirlilik derecesi	2
Koruma EN 60529	<ul style="list-style-type: none">Ön panel ve yan paneller: IP 54Arka panel: IP 40
Kütle	DRO 10x <ul style="list-style-type: none">1,5 kgSingle-Pos stant ile: 1,6 kgMulti-Pos tutucu ile: 1,9 kg DRO 203, DRO 30x <ul style="list-style-type: none">1,9 kgSingle-Pos stant ile: 2,0 kgMulti-Pos tutucu ile: 2,3 kgMontaj çerçevesi ile: 3,3 kg

6.2 Ürün boyutları ve birleştirme boyutları

Diğer bilgiler: Sayfa 125 ve aşağıdaki sayfalar.
Çizimlerdeki tüm boyutlar mm cinsindedir.

1 หลักพื้นฐาน

1.1 เกี่ยวกับคำแนะนำเหล่านี้

คำแนะนำเหล่านี้จะให้ข้อมูลและข้อควรระวังเรื่องความปลอดภัยทั้งหมดที่จำเป็นสำหรับการยึดและการติดตั้งผลิตภัณฑ์อย่างถูกต้อง

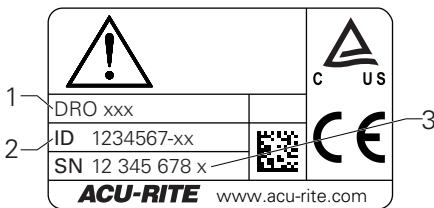
1.2 ข้อมูลบนผลิตภัณฑ์

การกำหนดผลิตภัณฑ์	หมายเลขชิ้นงาน
DRO 1011 แกน	1197252-xx
DRO 102 2 แกน	
DRO 103 3 แกน	
DRO 203	1197250-xx
DRO 303	1197251-xx
3 แกนที่มีการเชื่อมต่อ IOB 610/KT 130	

DRO 304
4 แกนที่มีการเชื่อมต่อ IOB 610/KT 130

มีป้าย ID ให้ที่ด้านหลังของผลิตภัณฑ์

ตัวอย่าง:



- 1 การกำหนดผลิตภัณฑ์
- 2 หมายเลขชิ้นงาน
- 3 ดัชนี

ความถูกต้องของเอกสาร

ก่อนใช้เอกสารและผลิตภัณฑ์ คุณต้องตรวจสอบว่าเอกสารตรงกับผลิตภัณฑ์

- ▶ เียบหมายเลขชิ้นงานและดัชนีที่แสดงในเอกสารกับข้อมูลที่เกี่ยวข้องบนป้าย ID ของผลิตภัณฑ์
- > ถ้าหมายเลขชิ้นงานและดัชนีตรงกัน แสดงว่าเอกสารถูกต้อง

ถ้าหมายเลขชิ้นงานและดัชนีไม่ตรงกัน แสดงว่าเอกสารไม่ถูกต้อง คุณค้นหาเอกสารปัจจุบันสำหรับผลิตภัณฑ์ได้ที่ www.acu-rite.com

1.3 หมายเหตุเกี่ยวกับการอ่านเอกสาร

ตารางด้านล่างจะแสดงรายการองค์ประกอบของเอกสารนี้ตามลำดับความสำคัญสำหรับการอ่าน

! คำเตือน

อุบัติเหตุร้ายแรง การบาดเจ็บของบุคคล หรือความเสียหายต่อทรัพย์สินที่เกิดจากการไม่ปฏิบัติตามเอกสารนี้!

การไม่ปฏิบัติตามเอกสารนี้อาจทำให้เกิดอุบัติเหตุร้ายแรง การบาดเจ็บของบุคคล หรือความเสียหายต่อทรัพย์สินได้

- ▶ อ่านเอกสารนี้อย่างละเอียดตั้งแต่ต้นจนจบ
- ▶ เก็บรักษาเอกสารนี้ไว้สำหรับใช้อ้างอิงในอนาคต

เอกสาร	คำอธิบาย
เอกสารแก้ไขเพิ่มเติม	เอกสารแก้ไขเพิ่มเติมจะเสริมหรือแทนที่เนื้อหาคำแนะนำการใช้งานที่เกี่ยวข้องและคำแนะนำการติดตั้งถ้ามี ถ้ามีเอกสารนี้ในการจัดส่ง ให้อ่านเอกสารก่อนดำเนินการเนื้อหาอื่นทั้งหมดของเอกสารนี้ยังคงความถูกต้องไว้อยู่
คำแนะนำการติดตั้ง	คำแนะนำการติดตั้งจะให้ข้อมูลและข้อควรระวังเรื่องความปลอดภัยทั้งหมดที่จำเป็นสำหรับการยึดและการติดตั้งผลิตภัณฑ์อย่างถูกต้อง ซึ่งเป็นเนื้อหาที่ยกมาจากคำแนะนำการใช้งานและมีอยู่ในทุกการจัดส่ง เอกสารนี้มีความสำคัญในการอ่านเป็นอันดับสอง

คำแนะนำการใช้งาน

คำแนะนำการใช้งานจะให้ข้อมูลและข้อควรระวังเรื่องความปลอดภัยทั้งหมดที่จำเป็นสำหรับการติดตั้งผลิตภัณฑ์อย่างถูกต้องตามวัตถุประสงค์การใช้งาน เอกสารนี้มีความสำคัญในการอ่านเป็นอันดับสามสามารถดาวน์โหลดเอกสารนี้ได้จากพื้นที่ดาวน์โหลดที่ www.acu-rite.com ต้องพิมพ์คำแนะนำการใช้งานก่อนที่จะทำการทดสอบผลิตภัณฑ์

เอกสารของอุปกรณ์การวัดที่เชื่อมต่ออยู่และอุปกรณ์ต่อพ่วงอื่นๆ

เอกสารเหล่านี้ไม่มีรวมอยู่ในการจัดส่ง เอกสารเหล่านี้จะได้รับการจัดส่งไปพร้อมกับอุปกรณ์การวัดและ อุปกรณ์ต่อพ่วง

คุณต้องการเปลี่ยนแปลงหรือไม่ หรือคุณได้พบข้อผิดพลาดใดๆ หรือเปล่า

เราพยายามปรับปรุงเอกสารของเราอย่างต่อเนื่องเพื่อคุณ โปรดช่วยเหลือเราโดยการส่งคำขอของคุณมายังที่อยู่อีเมลต่อไปนี้:

userdoc@acu-rite.de

1.4 การจัดเก็บและการแจกจ่ายเอกสารนี้

ต้องเก็บคำแนะนำไว้ใกล้กับสถานที่ทำงาน และต้องพร้อมให้บุคลากรทุกคนใช้ได้ตลอดเวลา บริษัทที่ดำเนินการต้องแจ้งสถานที่เก็บคำแนะนำให้กับบุคลากร ถ้าคำแนะนำชำรุดจนไม่สามารถอ่านได้ บริษัทที่ดำเนินการต้องขอเอกสารทดแทนจากผู้ผลิต

ถ้ามอบหรือขายต่อผลิตภัณฑ์ให้กับผู้อื่น ต้องส่งเอกสารต่อไปนี้ให้กับเจ้าของใหม่ด้วย:

- เอกสารแก้ไขเพิ่มเติม ถ้ามี
- คำแนะนำการติดตั้ง
- คำแนะนำการใช้งาน

1.5 กลุ่มเป้าหมายสำหรับคำแนะนำ

ทุกคนที่ปฏิบัติงานใดงานหนึ่งต่อไปนี้ต้องอ่านคำแนะนำการติดตั้ง:

- การติดตั้ง
- การตัดตัด

1.6 หมายเหตุในเอกสารนี้

ข้อควรระวังเรื่องความปลอดภัย

ปฏิบัติตามข้อควรระวังเรื่องความปลอดภัยในคำแนะนำเหล่านี้และในเอกสารของผู้สร้างเครื่องมือกลของคุณ!

ข้อความแสดงข้อควรระวัง จะเตือนถึงอันตรายในการใช้งานผลิตภัณฑ์ และให้ข้อมูลการป้องกันความเสี่ยง ข้อความแสดงข้อควรระวังจะได้รับการแบ่งประเภทตามระดับความอันตรายเป็นกลุ่มดังต่อไปนี้:



อันตราย

อันตราย แสดงความอันตรายต่อบุคคล หาก你不ปฏิบัติตามคำแนะนำในการหลีกเลี่ยงนี้ ความอันตรายจะ **ทำให้เสียชีวิตหรือบาดเจ็บร้ายแรงได้**



คำเตือน

คำเตือน แสดงความอันตรายต่อบุคคล หาก你不ปฏิบัติตามคำแนะนำในการหลีกเลี่ยงนี้ ความอันตราย อาจทำให้เสียชีวิตหรือบาดเจ็บร้ายแรงได้



ข้อควรระวัง

ข้อควรระวัง แสดงความอันตรายต่อบุคคล หาก你不ปฏิบัติตามคำแนะนำในการหลีกเลี่ยงนี้ ความอันตราย อาจทำให้บาดเจ็บเล็กน้อยหรือปานกลางได้

ประกาศ

การแจ้ง แสดงความอันตรายต่อวัตถุหรือข้อมูล หาก你不ปฏิบัติตามคำแนะนำในการหลีกเลี่ยงนี้ ความอันตราย อาจทำให้เกิดสิ่งอื่นนอกเหนือไปจากการบาดเจ็บของบุคคลดังเช่น ความเสียหายต่อทรัพย์สินได้

หมายเหตุข้อมูล

สังเกตหมายเหตุข้อมูลที่มีในคำแนะนำเหล่านี้เพื่อให้มั่นใจในการใช้งานผลิตภัณฑ์อย่างน่าเชื่อถือและมีประสิทธิภาพ

คุณจะพบหมายเหตุข้อมูลต่อไปนี้ในคำแนะนำเหล่านี้:



สัญลักษณ์ข้อมูลนี้จะแสดงถึง **เคล็ดลับ** เคล็ดลับ ให้ข้อมูลเพิ่มเติมหรือข้อเสริมที่สำคัญ



สัญลักษณ์รูปฟันเฟืองเพื่อแสดงว่าฟังก์ชันที่อธิบาย **ขึ้นอยู่กับเครื่องจักร** เช่น

- เครื่องจักรของคุณต้องมีตัวเลือกซอฟต์แวร์หรือฮาร์ดแวร์นั้น
- การทำงานของฟังก์ชันจะขึ้นอยู่กับค่าการตั้งค่าเครื่องจักรที่กำหนดค่าได้



สัญลักษณ์รูปหนังสือแสดงถึง **รายการโยง** ไปยังเอกสารภายนอก เช่น เอกสารของผู้สร้างเครื่องมือกลของคุณหรือซัพพลายเออร์เจ้าอื่น

2 ความปลอดภัย

2.1 ข้อควรระวังเรื่องความปลอดภัยทั่วไป

ต้องปฏิบัติตามข้อควรระวังเรื่องความปลอดภัยที่เป็นที่ยอมรับกันทั่วไป โดยเฉพาะอย่างยิ่งข้อควรระวังที่เกี่ยวข้องกับการใช้งานอุปกรณ์ไฟฟ้าเมื่อใช้งานระบบ การไม่ปฏิบัติตามข้อควรระวังเรื่องความปลอดภัยเหล่านี้ อาจทำให้เกิดการบาดเจ็บของบุคคลหรือความเสียหายต่อผลิตภัณฑ์ได้

เป็นที่ทราบกันดีว่า กฎข้อบังคับด้านความปลอดภัยของแต่ละบริษัทจะแตกต่างกันไป หากเกิดข้อขัดแย้งขึ้นระหว่างเนื้อหาในคำแนะนำเหล่านี้และกฎของบริษัทที่ใช้งานระบบนี้ ก็จะทำให้ความสำคัญกับกฎที่เข้มงวดกว่าก่อน

2.2 วัตถุประสงค์การใช้งาน

ผลิตภัณฑ์ซีรีส์ DRO 100, DRO 200 และ DRO 300 เป็นเครื่องอ่านค่า-ดิจิตอลขั้นสูงสำหรับใช้งานกับเครื่องมือกลที่ทำงานแบบแมนนวล ด้วยการผสมกันระหว่างเครื่องเข้ารหัสแบบเส้นตรงและแบบมุม เครื่องอ่านค่า-ดิจิตอลซีรีส์ DRO 100, DRO 200 และ DRO 300 จะแสดงตำแหน่งของ-เครื่องมือในแกนมากกว่าหนึ่งแกน และให้ฟังก์ชันเพิ่มเติมสำหรับใช้งานเครื่องมือกล

ผลิตภัณฑ์ซีรีส์ DRO 100, DRO 200 และ DRO 300:

- ต้องใช้เฉพาะในการใช้งานเชิงพาณิชย์ และในสภาพแวดล้อมทางอุตสาหกรรมเท่านั้น
- ต้องยึดบนขาตั้งหรือตัวจับที่เหมาะสมเพื่อให้มั่นใจว่าผลิตภัณฑ์จะทำงานได้อย่างถูกต้องตามวัตถุประสงค์
- มีวัตถุประสงค์สำหรับการใช้งานภายในอาคารในสภาพแวดล้อมที่การปนเปื้อนจากความชื้น สิ่งสกปรก น้ำมัน และสารหล่อลื่นนั้นเป็นไปตามข้อกำหนด



ผลิตภัณฑ์ซีรีส์ DRO 100, DRO 200 และ DRO 300 รองรับการใช้งานอุปกรณ์ต่อพ่วงที่หลากหลายจากผู้ผลิตรายอื่น HEIDENHAIN ไม่สามารถชี้แจงใดๆ เกี่ยวกับวัตถุประสงค์การใช้งานของผลิตภัณฑ์เหล่านี้ได้ ต้องสังเกตข้อมูลเกี่ยวกับวัตถุประสงค์การใช้งานที่มีให้ในเอกสารที่เกี่ยวข้อง

2.3 การใช้งานที่ไม่ถูกต้อง

เมื่อใช้ผลิตภัณฑ์ ต้องมั่นใจว่าจะไม่มีความเสี่ยงเกิดขึ้นต่อบุคคล หากมีความเสี่ยงโดยอยู่ บริษัทที่ดำเนินการต้องดำเนินการมาตรฐานที่เหมาะสม

โดยเฉพาะอย่างยิ่งต้องไม่ใช้ผลิตภัณฑ์ในการใช้งานต่อไปนี้:

- ใช้และจัดเก็บนอกเหนือจากข้อกำหนด
- การใช้งานภายนอกอาคาร
- ใช้ในสภาพบรรยากาศที่อาจเกิดการระเบิดได้
- ใช้ผลิตภัณฑ์เป็นส่วนหนึ่งของฟังก์ชันความปลอดภัย

2.4 คุณสมบัติของบุคลากร

บุคลากรที่ทำการยึดและการติดตั้งต้องมีคุณสมบัติสำหรับงานนี้ และต้องได้รับข้อมูลที่เพียงพอจากเอกสารที่มาพร้อมกับผลิตภัณฑ์และอุปกรณ์ต่อพ่วงที่เชื่อมต่ออยู่

บุคลากรที่เป็นสำหรับงานนี้จะดำเนินการกับผลิตภัณฑ์จะถูกระบุไว้ในส่วนที่เกี่ยวข้องของคำแนะนำเหล่านี้

กลุ่มบุคลากรที่รับผิดชอบเรื่องการยึดและการติดตั้งมีคุณสมบัติและหน้าที่ที่ต่างกัน ซึ่งถูกกำหนดไว้ดังต่อไปนี้

บุคลากรที่ได้รับการรับรอง

บุคลากรที่ได้รับการรับรองได้รับการฝึกอบรมโดยบริษัทที่ดำเนินการเพื่อทำการดำเนินการขั้นสูงและการกำหนดตัวแปรเสริม บุคลากรที่ได้รับการรับรองมีการฝึกอบรมทางเทคนิค ความรู้ และประสบการณ์ที่จำเป็น และทราบกฎระเบียบที่ปรับใช้ ดังนั้นจึงสามารถปฏิบัติงานที่กำหนดเกี่ยวกับการใช้งานที่เกี่ยวข้อง และระบุและหลีกเลี่ยงความเสี่ยงที่อาจเกิดขึ้นได้อย่างมั่นใจ

ผู้เชี่ยวชาญด้านไฟฟ้า

ผู้เชี่ยวชาญด้านไฟฟ้ามีการฝึกอบรมทางเทคนิค ความรู้ และประสบการณ์ที่จำเป็น และทราบมาตรฐานและกฎระเบียบที่ปรับใช้ ดังนั้นจึงสามารถปฏิบัติงานที่กำหนดเกี่ยวกับการใช้งานที่เกี่ยวข้อง และระบุและหลีกเลี่ยงความเสี่ยงที่อาจเกิดขึ้นได้อย่างมั่นใจ ผู้เชี่ยวชาญด้านไฟฟ้าได้รับการฝึกอบรมเป็นพิเศษสำหรับสภาพแวดล้อมที่ทำงาน

ผู้เชี่ยวชาญด้านไฟฟ้าต้องปฏิบัติตามข้อกำหนดของกฎระเบียบทางกฎหมายที่ปรับใช้เกี่ยวกับการป้องกันอุบัติเหตุ

2.5 หน้าทีความรับผิดชอบของบริษัทที่ดำเนินการ

บริษัทที่ดำเนินการนั้นเป็นเจ้าของหรือให้เช่าผลิตภัณฑ์และอุปกรณ์ต่อพ่วง มีหน้าที่ปฏิบัติตามวัตถุประสงค์การใช้งานตลอดเวลา

บริษัทที่ดำเนินการต้อง:

- กำหนดงานต่างๆ ที่จะปฏิบัติบนผลิตภัณฑ์ไปยังบุคลากรที่เหมาะสม มีคุณสมบัติ และได้รับอนุญาต
- ฝึกอบรมบุคลากรในงานที่ได้รับอนุญาตให้ปฏิบัติและวิธีการปฏิบัติงาน
- จัดหาวัสดุและวิธีการที่จำเป็นเพื่อให้บุคลากรทำงานที่ได้รับมอบหมายให้เสร็จสิ้น
- ตรวจสอบให้มั่นใจว่าใช้งานผลิตภัณฑ์ในสภาพทางเทคนิคที่ดีที่สุดเท่านั้น
- ตรวจสอบให้มั่นใจว่าผลิตภัณฑ์ได้รับการปกป้องจากการใช้งานที่ไม่ได้รับอนุญาต

2.6 ข้อควรระวังเรื่องความปลอดภัยทั่วไป



ความปลอดภัยของระบบใดก็ตามที่มีการใช้งานผลิตภัณฑ์นี้เป็นความรับผิดชอบของผู้ประกอบหรือผู้ติดตั้งระบบ



ผลิตภัณฑ์รองรับการใช้งานอุปกรณ์ต่อพ่วงที่หลากหลายจากผู้ผลิตรายอื่น HEIDENHAIN ไม่สามารถชี้แจงใดๆ เกี่ยวกับข้อควรระวังด้านความปลอดภัยที่เฉพาะเจาะจงสำหรับอุปกรณ์เหล่านี้ได้ จึงต้องปฏิบัติตามข้อควรระวังด้านความปลอดภัยที่ระบุในเอกสารที่เกี่ยวข้อง หากไม่มีข้อมูลเหล่านั้นให้มาด้วย ต้องขอรับจากผู้ผลิตที่เกี่ยวข้อง

ข้อควรระวังเรื่องความปลอดภัย ที่จำเป็นสำหรับงานที่จะดำเนินการกับผลิตภัณฑ์จะถูกระบุไว้ในส่วนที่เกี่ยวข้องของคำแนะนำเหล่านี้

2.6.1 สัญลักษณ์ในคำแนะนำ

สัญลักษณ์ความปลอดภัยต่อไปนี้จะถูกใช้ในคู่มือนี้:

อ้างอิง

ความหมาย



ระบุข้อมูลที่เตือนการบาดเจ็บของบุคคล



ระบุอุปกรณ์ที่ไวต่อไฟฟ้าสถิต (ESD)



สายรัดข้อมือ ESD สำหรับการต่อสายดินส่วนบุคคล

2.6.2 สัญลักษณ์บนผลิตภัณฑ์

สัญลักษณ์ต่อไปนี้จะถูกใช้เพื่อระบุผลิตภัณฑ์:

อ้างอิง

ความหมาย



สังเกตข้อควรระวังเรื่องความปลอดภัยเกี่ยวกับไฟฟ้าและการเชื่อมต่อไฟก่อนที่คุณจะเชื่อมต่อผลิตภัณฑ์



ขั้วสายดินตามมาตรฐาน IEC 60417 - 5017 สังเกตข้อมูลบนการติดตั้ง

2.6.3 ข้อควรระวังเรื่องความปลอดภัยทางไฟฟ้า

คำเตือน

อันตรายของการสัมผัสกับส่วนที่มีพลังงานไฟฟ้าอยู่เมื่อเปิดผลิตภัณฑ์

การทำเช่นนี้อาจทำให้เกิดไฟฟ้าดูด แผลไฟไหม้ หรือเสียชีวิตได้

- ▶ ไม่เปิดตัวเครื่องออก
- ▶ ผู้ผลิตเท่านั้นที่ได้รับอนุญาตให้เข้าถึงด้านในของผลิตภัณฑ์ได้

คำเตือน

อันตรายของการที่มีไฟฟ้าไหลผ่านร่างกายเมื่อสัมผัสโดยตรงหรือโดยอ้อมกับส่วนที่มีพลังงานไฟฟ้าอยู่

การทำเช่นนี้อาจทำให้เกิดไฟฟ้าดูด แผลไฟไหม้ หรือเสียชีวิตได้

- ▶ การทำงานกับระบบไฟฟ้าและอุปกรณ์ที่มีพลังงานไฟฟ้าอยู่นั้นทำได้โดยผู้เชี่ยวชาญด้านไฟฟ้าเท่านั้น
- ▶ สำหรับการเชื่อมต่อไฟและการเชื่อมต่ออินเตอร์เฟซทั้งหมดนั้น ให้ใช้เฉพาะสายและตัวเชื่อมต่อที่ใช้มาตรฐานที่ปรับใช้เท่านั้น
- ▶ ให้ผู้ผลิตเปลี่ยนอุปกรณ์ไฟฟ้าที่มีข้อบกพร่องในทันที
- ▶ ตรวจสอบสายที่เชื่อมต่ออยู่ทั้งหมดและการเชื่อมต่อทั้งหมดบนผลิตภัณฑ์เป็นประจำ ต้องถอดข้อบกพร่องดังเช่น การเชื่อมต่อที่หลวมหรือสายไหม้ออกทันที

ประกาศ

ความเสียหายต่อชิ้นส่วนภายในผลิตภัณฑ์!

การเปิดตัวผลิตภัณฑ์ออกจะทำให้การรับประกันสิ้นสุด

- ▶ ไม่เปิดตัวเครื่องออก
- ▶ ผู้ผลิตเท่านั้นที่ได้รับอนุญาตให้เข้าถึงด้านในของผลิตภัณฑ์ได้

3 การขนย้ายและการจัดเก็บ

3.1 ภาพรวม

บทนี้ประกอบด้วยข้อมูลทั้งหมดที่จำเป็นสำหรับการขนส่งและการจัดเก็บ-ผลิตภัณฑ์ และให้ภาพรวมของสิ่งที่มีให้และอุปกรณ์เสริมที่มีอยู่สำหรับ-ผลิตภัณฑ์

3.2 การเปิดกล่อง

- ▶ เปิดฝาด้านบนของกล่อง
- ▶ นำวัสดุบรรจุภัณฑ์ออก
- ▶ นำสิ่งของที่บรรจุออก
- ▶ ตรวจสอบการจัดส่งเพื่อตรวจสอบว่าของครบถ้วน
- ▶ ตรวจสอบการจัดส่งเพื่อตรวจสอบความเสียหาย

3.3 สิ่งที่ให้มาและอุปกรณ์เสริม

สิ่งที่ให้มา

สิ่งของต่อไปนี้ให้มาในการจัดส่ง:

- ผลิตภัณฑ์
- สายไฟ (1197250-0x, 1197251-0x, 1197252-0x)
- คำแนะนำการติดตั้ง
- เอกสารแก้ไขเพิ่มเติม (ตัวเลือก)

ข้อมูลเพิ่มเติม: "หมายเหตุเกี่ยวกับการอ่านเอกสาร", หน้า 105

อุปกรณ์เสริม

รายการสิ่งของต่อไปนี้ให้เป็นตัวเลือกและสามารถสั่งซื้อเป็นอุปกรณ์เสริมเพิ่มเติมได้จาก HEIDENHAIN:

อุปกรณ์เสริม	หมายเลขชิ้นงาน
ขาตั้งขาเดี่ยว Single-Pos สำหรับยึดอยู่กับที่ มุมเฉียง 20°	1197273-01
ตัวยึดหลายขา Multi-Pos สำหรับยึดบนแขน เอียงและหมุนได้อย่างต่อเนื่อง	1197273-02
เฟรมยึด สำหรับยึดกับแผง ใช้ได้กับผลิตภัณฑ์ DRO 203 และ DRO 30x เท่านั้น	1197274-01
ฝาปิด สำหรับป้องกันสิ่งสกปรกและเศษวัสดุ	1197275-01
ตัวค้นหาขอบ KT 130 สำหรับการตรวจสอบชิ้นงาน (สำหรับตั้งจุดอ้างอิง) ใช้ได้กับผลิตภัณฑ์ DRO 30x เท่านั้น	283273-xx
IOB 610 สำหรับสลักฟังก์ชันอินพุตและเอาต์พุต ใช้ได้กับผลิตภัณฑ์ DRO 30x เท่านั้น	1197271-01

3.4 ในกรณีที่เสียหายระหว่างการขนส่ง

- ▶ ให้ตัวแทนขนส่งยืนยันความเสียหาย
- ▶ เก็บหีบห่อไว้เพื่อตรวจสอบ
- ▶ แจ้งความเสียหายให้กับผู้ส่ง
- ▶ ติดต่อผู้แทนจำหน่ายหรือผู้ผลิตเพื่อขอขึ้นส่วนทดแทน



ในกรณีที่เสียหายระหว่างการขนส่ง:

- ▶ เก็บหีบห่อไว้เพื่อตรวจสอบ
- ▶ ติดต่อ HEIDENHAIN หรือผู้ผลิต

ซึ่งยังสามารถใช้กับความเสียหายที่เกิดกับชิ้นส่วนทดแทนที่เปลี่ยนแปลงระหว่างการขนส่ง

3.5 การบรรจุหีบห่อและการจัดเก็บ

บรรจุหีบห่อและจัดเก็บผลิตภัณฑ์อย่างระมัดระวังตามเงื่อนไขที่ระบุไว้ข้างต้น

การบรรจุหีบห่อ

การบรรจุหีบห่อควรเหมือนกับหีบห่อเดิมให้มากที่สุดเท่าที่จะทำได้

- ▶ ติดชิ้นส่วนยึดทั้งหมดและฝาด้านบนเข้ากับผลิตภัณฑ์หรือบรรจุหีบห่อแบบเดียวกับที่จัดส่งมาจากโรงงาน
- ▶ บรรจุหีบห่อผลิตภัณฑ์ให้ป้องกันการกระแทกและการเสียดสีระหว่างการขนส่ง
- ▶ บรรจุหีบห่อผลิตภัณฑ์ให้ป้องกันไม่ให้ฝุ่นหรือความชื้นเข้า
- ▶ ใส่อุปกรณ์เสริมที่ให้มาในการจัดส่งลงในหีบห่อเดิม

ข้อมูลเพิ่มเติม: "สิ่งที่ให้มาและอุปกรณ์เสริม", หน้า 109

- ▶ รวมเอกสารแก้ไขเพิ่มเติม (ถ้ามีในรายการสิ่งของที่ให้มา) คำแนะนำการติดตั้ง และคำแนะนำการใช้งาน

ข้อมูลเพิ่มเติม: "การจัดเก็บและการแจกจ่ายเอกสารนี้", หน้า 106



หากคุณส่งคืนผลิตภัณฑ์ไปที่ตัวแทนบริการเพื่อรับการซ่อม:

- ▶ จัดส่งผลิตภัณฑ์โดยที่ไม่ต้องส่งอุปกรณ์เสริม อุปกรณ์วัด และอุปกรณ์ต่อพ่วง

การจัดเก็บผลิตภัณฑ์

- ▶ บรรจุหีบห่อผลิตภัณฑ์ตามที่อธิบายไว้ข้างต้น
- ▶ สังเกตสภาวะโดยรอบที่กำหนด
- ▶ ตรวจสอบความเสียหายของผลิตภัณฑ์หลังจากที่ขนส่งหรือจัดเก็บเป็นระยะเวลานาน

4 การติดตั้ง

4.1 ภาพรวม

บทนี้ประกอบด้วยข้อมูลทั้งหมดที่จำเป็นสำหรับการยึดผลิตภัณฑ์



ขั้นตอนต่อไปนี้อาจทำได้โดยบุคลากรที่ได้รับการรับรองเท่านั้น
ข้อมูลเพิ่มเติม: "คุณสมบัติของบุคลากร", หน้า 107

4.2 การประกอบ

ข้อมูลการยึดทั่วไป

มีได้สำหรับสำหรับตัวยึดแบบต่างๆ ให้บนแผงด้านหลัง การต่อเชื่อมใช้กับมาตรฐาน VESA 100 มม. x 100 มม. ได้

DRO 10x: **ข้อมูลเพิ่มเติม:** "G", หน้า 125

DRO 203, DRO 30x: **ข้อมูลเพิ่มเติม:** "K", หน้า 126

วัสดุสำหรับติดตั้งยึดแบบต่างๆ บนอุปกรณ์มีให้ในกล่อง
คุณยังจำเป็นต้องใช้อุปกรณ์ต่อไปนี้:

- ไขควง Torx T20
- ประแจหกเหลี่ยมขนาด 2.5 มม.
- ประแจกระบอกขนาด 7 มม.
- วัสดุสำหรับยึดบนพื้นผิวรองรับ



ต้องยึดผลิตภัณฑ์บนขาตั้งหรือตัวจับที่เหมาะสมเพื่อให้มั่นใจว่าผลิตภัณฑ์จะทำงานได้ถูกต้องตามวัตถุประสงค์

การเดินสาย



ในภาพที่แสดงขาตั้งและตัวยึด คุณจะพบคำแนะนำสำหรับการเดินสายหลังจากการยึด

ขาตั้งขาเดี่ยว Single-Pos: **ข้อมูลเพิ่มเติม:** "C", หน้า 4

ตัวยึดหลายขา Multi-Pos: **ข้อมูลเพิ่มเติม:** "D", หน้า 4

เฟรมยึด: **ข้อมูลเพิ่มเติม:** "E", หน้า 4

หากยึดเข้ากับขาตั้ง:

- ▶ รวบสายเข้าด้วยกัน
- ▶ เดินสายผ่านช่องในขาตั้งจากด้านหลัง
- ▶ เดินสายออกด้านข้างไปที่การเชื่อมต่อ

หากยึดเข้ากับตัวยึด:

- ▶ รวบสายเข้าด้วยกัน
- ▶ เดินสายออกด้านข้างไปที่การเชื่อมต่อ
- ▶ มัดสายเข้ากับแขนด้วยที่รัดสาย

4.2.1 การยึดบนขาตั้งขาเดี่ยว

ขาตั้งขาเดี่ยวให้คุณวางผลิตภัณฑ์บนพื้นผิวที่มุมเอียง 20° หรือยึดสกรูผลิตภัณฑ์เข้ากับพื้นผิว

ยึดขาตั้งเข้ากับช่องเกลียว VESA 100 ด้านบนที่แผงด้านหลังของผลิตภัณฑ์

- ▶ ใช้ไขควง Torx T20 เพื่อขันสกรูหัวเตเปอร์ M4 x 8 ISO 14581 ที่ให้มาในการจัดส่งให้แน่น
- ▶ ทำตามแรงบิดการขันที่ยอมรับได้ที่ 2.6 Nm

ยึดผลิตภัณฑ์ไม่ให้เคลื่อนที่ระหว่างใช้งาน

- ▶ ติดแผ่นยางแบบมีกาวในตัวที่มีให้เข้ากับด้านล่างของผลิตภัณฑ์
- ▶ หากคุณไม่ได้ยึดสกรูผลิตภัณฑ์เข้ากับพื้นผิว ให้ติดแผ่นยางแบบมีกาวในตัวเข้ากับด้านล่างขาตั้ง



ติดแผ่นยางเข้ากับขาตั้งเมื่อคุณไม่ได้ยึดสกรูผลิตภัณฑ์เข้ากับพื้นผิวเท่านั้น

ข้อมูลเพิ่มเติม: "C", หน้า 4

ขนาดของขาตั้งขาเดี่ยว

DRO 10x: **ข้อมูลเพิ่มเติม:** "H", หน้า 125

DRO 203, DRO 30x: **ข้อมูลเพิ่มเติม:** "L", หน้า 127

4.2.2 การยึดบนตัวยึดหลายขา

ยึดตัวยึดเข้ากับช่องเกลียว VESA 100 ด้านล่างที่แผงด้านหลังของผลิตภัณฑ์

- ▶ ใช้ไขควง Torx T20 เพื่อขันสกรูหัวเตเปอร์ M4 x 10 ISO 14581 (สีดำ) ที่ให้มาในการจัดส่งให้แน่น
- ▶ ทำตามแรงบิดการขันที่ยอมรับได้ที่ 2.5 Nm

คุณสามารถเอียงและหมุนตัวยึดไปยังมุมที่คุณดูเครื่องอ่านค่าได้อย่างสะดวกสบาย

ข้อมูลเพิ่มเติม: "D", หน้า 4

ขนาดของตัวยึดหลายขา

DRO 10x: **ข้อมูลเพิ่มเติม:** "I", หน้า 126

DRO 203, DRO 30x: **ข้อมูลเพิ่มเติม:** "M", หน้า 127

4.2.3 การยึดในเฟรมยึด

i เฟรมยึดใช้ได้กับผลิตภัณฑ์ DRO 203 และ DRO 30x เท่านั้น

เฟรมยึดให้คุณยึดผลิตภัณฑ์ในแผง

ยึดแผ่นหลังของเฟรมเข้ากับช่องเกลียว VESA 100 ที่แผงด้านหลังของผลิตภัณฑ์

- ▶ ใช้ประแจหกเหลี่ยมขนาด 2.5 มม. เพื่อขันสกรู M4 x 6 ISO 7380 ที่ให้มาในการจัดส่งให้แน่น
- ▶ ทำตามแรงบิดการขันที่ยอมรับได้ที่ 2.6 Nm

ยึดแผ่นหลังและผลิตภัณฑ์เข้ากับแผ่นหน้าของเฟรม

- ▶ ใช้ประแจกระบอกขนาด 7 มม. เพื่อขันน็อต M4 ISO 10511 ที่ให้มาในการจัดส่งให้แน่น
- ▶ ทำตามแรงบิดการขันที่ยอมรับได้ที่ 3.5 Nm

ยึดเฟรมและเครื่องอ่านค่าในแผง

- ▶ ดูคำแนะนำการยึดที่ให้มาพร้อมกับเฟรมยึดสำหรับข้อมูลการตัดแผงและการยึด

ข้อมูลเพิ่มเติม: "E", หน้า 4

ขนาดของเฟรมยึด

ข้อมูลเพิ่มเติม: "N", หน้า 127

4.2.4 การยึดฝาปิด

ฝาปิดปกป้องผลิตภัณฑ์จากสิ่งสกปรกและเศษวัสดุ

วางฝาปิดบนผลิตภัณฑ์

- ▶ วางฝาปิดเหนือผลิตภัณฑ์
- ▶ จัดวางให้ฝาปิดและผลิตภัณฑ์ตรงกันที่ด้านขวา เมื่อดูจากด้านหน้าของผลิตภัณฑ์

ยึดฝาปิดเข้ากับผลิตภัณฑ์

- ▶ แกะตัวปิดแถบกาวยออกจากแถบกาว
- ▶ พับแถบกาวเข้าหาผลิตภัณฑ์
- ▶ กดแถบกาวเข้ากับผลิตภัณฑ์เพื่อยึดแถบเข้ากับผลิตภัณฑ์

5 การติดตั้ง

5.1 ภาพรวม

บทนี้ประกอบด้วยข้อมูลทั้งหมดที่จำเป็นสำหรับการติดตั้งผลิตภัณฑ์

i ขั้นตอนต่อไปนี้จะต้องทำโดยบุคลากรที่ได้รับการรับรองเท่านั้น

ข้อมูลเพิ่มเติม: "คุณสมบัติของบุคลากร", หน้า 107

5.2 ข้อมูลทั่วไป

ประกาศ

การเสียบและถอดองค์ประกอบการเชื่อมต่อ!
ความเสี่ยงที่จะเกิดความเสียหายต่อส่วนประกอบภายใน

- ▶ ไม่เสียบหรือถอดองค์ประกอบการเชื่อมต่อใดๆ ในขณะที่อุปกรณ์เปิดอยู่

ประกาศ

การปลดปล่อยไฟฟ้าสถิต (ESD)!

ผลิตภัณฑ์นี้มีส่วนประกอบที่ไวต่อไฟฟ้าสถิตที่อาจได้รับความเสียหายจากการปลดปล่อยไฟฟ้าสถิต (ESD)

- ▶ การสังเกตข้อควรระวังเรื่องความปลอดภัยสำหรับการใช้งานส่วนประกอบที่ไวต่อ ESD นั้นมีความสำคัญมาก
- ▶ ไม่สัมผัสขาตัวเชื่อมต่อโดยที่ยังไม่ต่อสายดินที่เหมาะสม
- ▶ สวมใส่สายรัดข้อมือ ESD กราวด์เมื่อจัดการกับการเชื่อมต่อของผลิตภัณฑ์

ประกาศ

การกำหนดขาไม่ถูกต้อง!

อาจทำให้ผลิตภัณฑ์ทำงานผิดปกติหรือเสียหายได้

- ▶ กำหนดขาหรือสายที่ถูกใช้งานเท่านั้น

5.3 ภาพรวมผลิตภัณฑ์

การเชื่อมต่อบนแผงด้านหลังของอุปกรณ์ได้รับการปกป้องโดยฝาครอบกันฝุ่น-จากการปนเปื้อนและความเสียหาย

ประกาศ

อาจเกิดการปนเปื้อนหรือความเสียหายได้หากไม่มีฝาครอบกันฝุ่น!

ซึ่งอาจทำให้การทำงานของจุดเชื่อมต่อบกพร่องหรือเสียหายได้

- ▶ ถอดฝาครอบกันฝุ่นออกเมื่อทำการเชื่อมต่ออุปกรณ์การวัดหรือ-อุปกรณ์ต่อพ่วงเท่านั้น
- ▶ หากคุณถอดอุปกรณ์การวัดหรืออุปกรณ์ต่อพ่วง ให้ใส่ฝาครอบกันฝุ่น-เข้าไปที่การเชื่อมต่ออีกครั้ง

i ชนิดและจำนวนของการเชื่อมต่ออาจแตกต่างกันไปตามรุ่น-ผลิตภัณฑ์

แผงด้านหลังที่ไม่มีฝาครอบกันฝุ่น

DRO 10x: **ข้อมูลเพิ่มเติม:** "A", หน้า 3

DRO 203, DRO 30x: **ข้อมูลเพิ่มเติม:** "B", หน้า 3

แผงด้านหลัง

- 1 ชุดวิตซ์ระบบจ่ายไฟและการเชื่อมต่อไฟฟ้า
- 2 ขั้วสายดินตามมาตรฐาน IEC 60471 - 5017
- 3 X31: การเชื่อมต่อ USB 2.0 Hi-Speed (Type C) สำหรับอุปกรณ์ USB Mass Storage และการเชื่อมต่อกับ PC (ด้านล่างฝาปิดป้องกัน)
- 4 X1 ถึง X4: อุปกรณ์ที่มีการเชื่อมต่อ D-sub 9 ขาสำหรับเครื่องเข้ารหัส-ที่มี อินเทอร์เฟซ TTL
- 5 X10: การเชื่อมต่อ D-sub 15 ขาสำหรับเครื่องตรวจสอบแบบสัมผัสและ-อุปกรณ์เสริม (เช่น เครื่องตรวจสอบแบบสัมผัส HEIDENHAIN, IOB) มีเฉพาะในผลิตภัณฑ์ DRO 30x เท่านั้น

5.4 การเชื่อมต่อเครื่องเข้ารหัส

- ▶ ถอดและเก็บฝาครอบกันฝุ่นไว้
- ▶ เดินสายตามแบบตัวยึด

ข้อมูลเพิ่มเติม: "การประกอบ", หน้า 110

- ▶ เชื่อมต่อสายเครื่องเข้ารหัสเข้ากับจุดเชื่อมต่อให้แน่น

ข้อมูลเพิ่มเติม: "ภาพรวมผลิตภัณฑ์", หน้า 112

- ▶ หากตัวเชื่อมต่อสายมีสกปรกให้ อย่ำขันแน่นเกินไป

โครงร่างขาของ X1 ถึง X4

ข้อมูลเพิ่มเติม: "O", หน้า 128

5.5 การเชื่อมต่ออุปกรณ์ USB

- ▶ เปิดฝาครอบกันฝุ่น
- ▶ เชื่อมต่ออุปกรณ์หรือสาย USB เข้ากับจุดเชื่อมต่อ

ข้อมูลเพิ่มเติม: "ภาพรวมผลิตภัณฑ์", หน้า 112

โครงร่างขาของ X31

ข้อมูลเพิ่มเติม: "P", หน้า 128

5.6 การเชื่อมต่อเครื่องตรวจสอบแบบสัมผัส



เครื่องตรวจสอบแบบสัมผัสต่อไปนี้สามารถเชื่อมต่อกับ-
ผลิตภัณฑ์ DRO 30x ได้:

- ตัวค้นหาขอบ HEIDENHAIN KT 130

ข้อมูลเพิ่มเติม: "อุปกรณ์เสริม", หน้า 109

- ▶ ถอดและเก็บฝาครอบกันฝุ่นไว้
- ▶ เดินสายตามแบบตัวยึด

ข้อมูลเพิ่มเติม: "การประกอบ", หน้า 110

- ▶ เชื่อมต่อเครื่องตรวจสอบแบบสัมผัสเข้ากับจุดเชื่อมต่อ X10 ให้แน่น

ข้อมูลเพิ่มเติม: "ภาพรวมผลิตภัณฑ์", หน้า 112

- ▶ หากตัวเชื่อมต่อสายมีสกปรกยึดให้ ออย่าขันแน่นเกินไป

โครงร่างขาของ X10

ข้อมูลเพิ่มเติม: "Q", หน้า 128

5.7 การเชื่อมต่อแรงดันไฟฟ้าของสาย

⚠ คำเตือน

เสี่ยงต่อไฟฟ้าดูด!

การต่อสายดินของอุปกรณ์ไฟฟ้าที่ไม่ถูกต้องอาจทำให้เกิดการบาดเจ็บร้ายแรงของบุคคลหรือเสียชีวิตจากไฟฟ้าดูดได้

- ▶ ใช้สายไฟแบบ 3 แกนเสมอ
- ▶ ตรวจสอบให้แน่ใจว่าสายดินเชื่อมต่อกับพื้นของการติดตั้งเครื่องไฟฟ้าของอาคารอย่างถูกต้อง

⚠ คำเตือน

อัคคีภัยจากการใช้สายไฟที่ไม่ได้มาตรฐานของประเทศที่ติดตั้งผลิตภัณฑ์

การต่อสายดินของอุปกรณ์ไฟฟ้าที่ไม่ถูกต้องอาจทำให้เกิดการบาดเจ็บร้ายแรงของบุคคลหรือเสียชีวิตจากไฟฟ้าดูดได้

- ▶ ใช้เฉพาะสายไฟที่ได้มาตรฐานของประเทศที่ติดตั้งผลิตภัณฑ์เท่านั้น

- ▶ ใช้สายไฟที่ตรงตามข้อกำหนดในการเชื่อมต่อไฟเข้ากับปลั๊กไฟแบบสายดิน 3 แกน

ข้อมูลเพิ่มเติม: "ภาพรวมผลิตภัณฑ์", หน้า 112

โครงร่างขาของการเชื่อมต่อไฟฟ้า

ข้อมูลเพิ่มเติม: "R", หน้า 128

6 ข้อมูลจำเพาะ

6.1 ข้อมูลจำเพาะของผลิตภัณฑ์

ผลิตภัณฑ์

โครงสร้าง	อลูมิเนียมหล่อ
ขนาด	DRO 10x
โครงสร้าง	■ 285 มม. x 160 มม. x 46 มม. DRO 203, DRO 30x ■ 285 มม. x 180 มม. x 46 มม.
ระบบตัวยึด ขนาดการเชื่อมต่อ	VESA MIS-D, 100 100 มม. x 100 มม.

การแสดงผล

ชุดแสดงผลภาพ	■ LCD Widescreen (15:9) หน้าจอสี 17.8 ซม. (7") ■ 800x 480 พิกเซล
อินเตอร์เฟซผู้ใช้	อินเตอร์เฟซผู้ใช้ (GUI) พร้อมแผงปุ่ม

ข้อมูลทางไฟฟ้า

แหล่งจ่ายไฟ	■ AC 100 V ... 240 V ($\pm 10\%$) ■ 50 Hz ... 60 Hz ($\pm 5\%$) ■ พลังงานอินพุตสูงสุด 30 W
ประเภทแรงดันไฟฟ้าเกิน	II
จำนวนอินพุตเครื่องเข้า-รหัส	DRO 10x ■ 1, 2 หรือ 3 DRO 203 ■ 3 DRO 30x ■ 3 หรือ 4
อินเตอร์เฟซเครื่องเข้ารหัส	TTL: กระแสไฟฟ้าสูงสุด 300 mA ความถี่อินพุตสูงสุด 500 kHz
KT 130, อินเตอร์เฟซ IOB 610	DC 5 V ($\pm 5\%$)
อินเตอร์เฟซข้อมูล	USB 2.0 Hi-Speed (Type C), กระแสไฟฟ้าสูงสุด 500 mA

สภาวะแวดล้อม

อุณหภูมิการทำงาน	0 °C ... 45 °C
อุณหภูมิการจัดเก็บ	-20 °C ... 70 °C
ความชื้นอากาศสัมพัทธ์	40 % ... 80 % r.H., ไม่มีการควบแน่น
ความสูง	≤ 2000 เมตร

ข้อมูลทั่วไป

Directives	■ EMC Directive 2014/30/EU ■ Low Voltage Directive 2014/35/EU
ระดับมลภาวะ	2
การป้องกัน EN 60529	■ แฉงด้านหน้าและแฉงด้านข้าง: IP 54 ■ แฉงด้านหลัง: IP 40
น้ำหนัก	DRO 10x ■ 1.5 กก. ■ พร้อมขาตั้งขาเดี่ยว Single-Pos: 1.6 กก. ■ พร้อมตัวยึดหลายขา Multi-Pos: 1.9 กก. DRO 203, DRO 30x ■ 1.9 กก. ■ พร้อมขาตั้งขาเดี่ยว Single-Pos: 2.0 กก. ■ พร้อมตัวยึดหลายขา Multi-Pos: 2.3 กก. ■ พร้อมเฟรมยึด: 3.3 กก.

6.2 ขนาดของผลิตภัณฑ์และขนาดการเชื่อมต่อ

ข้อมูลเพิ่มเติม: หน้า 125 และหน้าต่อไป

ขนาดทุกขนาดในภาพร่างเป็นมิลลิเมตร

1 基础知识

1.1 关于这些说明

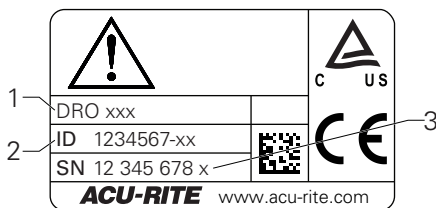
这些说明提供有关本产品正确安装和系统安装所需的全部信息和安全注意事项信息。

1.2 产品上的信息

产品标识	零件号
DRO 101 1 轴	1197252-xx
DRO 102 2 轴	
DRO 103 3 轴	
DRO 203 3 轴	1197250-xx
DRO 303 3 轴带 IOB 610/KT 130 端口	1197251-xx
DRO 304 4 轴带 IOB 610/KT 130 端口	

ID 标签在本产品的背面。

举例：



- 1 产品标识
- 2 零件号
- 3 索引

本文档适用性

使用本文档及产品前，需检查确认文档与产品的相符性。

- ▶ 比较零件号与文档中的索引号，应对应于产品 ID 标签上的相应数据
- > 如果零件号与索引号相符，本文档适用



如果零件号与索引号不符，本文档不适用；要查找本产品的当前文档，请访问 www.acu-rite.com。

1.3 有关阅读本文档的说明

下表是按照优先顺序排列的文档组成部分。

警告	
如果未遵守文档说明要求，可能造成严重事故、人员伤亡或财产损失！	
如果未遵守文档要求，可导致严重事故、人员伤亡或财产损失。	
<ul style="list-style-type: none">▶ 认真并完整阅读本文档▶ 保留本文档，以便未来查看	

文档	说明
补充说明	补充说明提供“操作说明”相应内容的补充信息或替换信息，有时根据情况也适用于“安装说明”。如果该文档随产品一起提供，必须首先阅读它。文档中的所有其他内容保持有效。
安装说明	“安装说明”提供有关产品正确安装和系统安装所需的全部信息和安全注意事项信息。它们取自“操作说明”并随产品一起提供。该文档是需第二优先阅读的信息。
使用说明	“操作说明”提供有关按照目的用途正确使用产品所需的全部信息和安全注意事项信息。该文档是需第三优先阅读的信息。本文档可从 www.acu-rite.com 的下载区下载。调试该产品前必须打印“使用说明”。

相连的测量设备和其他外部设备的文档 这些手册不随产品一起提供。它们随相应测量设备和外部设备一起提供。

有任何修改意见或发现任何错误？

我们致力于不断改进我们的文档手册。请将您的意见或建议发至以下电子邮箱：

userdoc@acu-rite.de

1.4 文档的存放和分发

这些说明文档必须保存在工作处且必须可供所有人随时可用。产品使用公司必须告知每一名操作人员这些说明文件的存放位置。如果本说明的字迹模糊，使用本产品的公司需向制造商索取其替代版。

如果本产品被转让或转售给任何第三方，必须将以下文档提供给新机主：

- 补充说明，如有
- 安装说明
- 使用说明

1.5 本说明的目标用户

所有执行以下任何任务的人员都必须阅读和遵守“安装说明”要求：

- 安装
- 系统安装

1.6 文档说明

安全注意事项

遵守这些说明以及机床制造商文档中的全部安全注意事项！
预防信息是对操作本产品危险情况的警告并提供避免方法。
根据危险的严重程度，注意事项分为以下几类：

▲ 危险

危险表示人员伤害的危险。如果未遵守避免危险的说明要求，该危险将**导致人员死亡或严重伤害**。

▲ 警告

警告表示人员伤害的危险。如果未遵守避免危险的说明要求，该危险可能**导致人员死亡或严重伤害**。

▲ 小心

小心表示人员伤害的危险。如果未遵守避免危险的说明要求，该危险可能**导致人员轻微或一定伤害**。

注意

注意表示物体或数据危险。如果未遵守避免危险的说明要求，该危险可能**导致人伤害之外的其它伤害，例如财产损失**。

提示信息

遵守这些说明中的提示信息，确保可靠和高效地使用本产品。

这些说明中包括以下提示信息：



信息符表示**提示信息**。
提示信息提供重要的补充或辅助信息。



齿轮符表示所述功能**取决于机床**，例如

- 机床必须具有一定软件或硬件选装项
- 该功能的作用与可配置的机床设置有关



书籍符代表**交叉引用**，引用外部文档，例如机床制造商或其它供应商的文档。

2 安全

2.1 公认安全注意事项

使用本系统时，必须认真遵守公认的安全注意事项，特别是有关带电设备操作方面的。未能遵守这些安全注意事项可能造成人员伤害或产品损坏。

必须注意安全规范与各个公司有关。如果本说明的内容与使用本系统的公司的规定有冲突，必须使用其中较为严格的规定。

2.2 目的用途

DRO 100、DRO 200 和 DRO 300 系列产品是技术先进的数显装置，适用于手动机床应用。结合直线光栅尺和角度编码器，DRO 100、DRO 200 和 DRO 300 系列数显装置显示刀具位于一个以上轴的位置值并提供其它机床操作功能。

DRO 100、DRO 200 和 DRO 300 系列产品：

- 只适用于商业应用及工业环境
- 必须安装在适当支架上或安装座中，确保本产品的正确及符合预期地工作
- 适用于室内使用，有关室内湿度、灰尘、油和润滑油污染情况需满足技术参数要求



DRO 100、DRO 200 和 DRO 300 系列产品支持不同制造商的大量外部设备。海德汉不提供有关这些设备目的用途的任何声明。必须遵守相应文档中有关其目的用途的说明。

2.3 不正确使用

使用本产品时，必须确保所有人的安全。如有任何危险，使用产品的企业必须采取相应措施。

特别是，本产品不能用于以下应用场合：

- 超出技术参数范围的使用和存放
- 室外使用
- 用在可能产生爆炸的环境中
- 将本产品用作部分安全功能

2.4 人员资质

从事安装和系统安装的人员必须具有相应从业资质且必须通过随产品以及相关外部设备一起提供的文档资料中获得充分信息。

有关对于产品需执行个别操作的人员要求，详见这些说明文件中的相应章节。

不同类型的人员，例如安装和系统安装，需具有不同的人员资质和其专长的工作任务。

有资质人员

有资质的人员是指接受过产品使用公司有关执行高级操作和参数设置培训的人员。有资质的人员接受过所需技术培训，拥有适当知识和经验并了解相应规定，因此能执行应用所需和分配给他的任务所需技能并能主动发现和避免潜在风险。

电气专业人员

电气专业人员接受过所需技术培训，拥有适当知识和经验并了解相应标准和规定，因此能执行电气系统操作任务并能主动发现和避免潜在风险。电气专业人员需接受过他们工作环境的特殊培训。

电气专业人员必须满足有关事故防范相应法律规定的要求。

2.5 产品使用公司的责任

产品使用公司是指拥有或租用该产品和外部设备的公司。承担始终满足目的用途要求的负责。

产品使用公司必须：

- 必须将本产品执行的不同任务分配给恰当、有资质和授权的人员
- 可验证地培训操作人员，在他们执行的任务中进行培训并培训执行任务的方式
- 提供所有必要材料及措施使操作人员能完成要求的任务
- 确保仅在最佳技术状态时使用本产品
- 必须避免本产品被非授权使用

2.6 公认安全注意事项



使用本产品的任何系统的安全性由组装方或系统安装方负责。



本产品支持不同制造商的许多外部设备。海德汉不能提供有关这些设备的特定安全注意事项的任何声明。必须遵守相应文档提供的安全注意事项。如果未提供这类信息，必须向相应制造商索取。

有关本产品需执行的各项操作的特定安全注意事项，详见这些说明文件中的相应章节。

2.6.1 说明中的图符

本手册中使用以下安全图符

图符	含义
	表示人员伤害危险的警告信息
	表示静电敏感设备 (ESD)
	ESD 腕带，用于人员接地

2.6.2 产品上的图符

以下图符用于标识本产品：

图符	含义
	连接本产品前，必须遵守有关电气和电源连接的安全注意事项
	符合 IEC 60417 - 5017 标准的地线 (接地) 端子 必须遵守安装说明。

2.6.3 电气安全说明

警告

打开本产品时，接触带电零件有危险。

这可能导致电击、烧伤或死亡事故。

- ▶ 严禁打开外壳
- ▶ 只允许制造商进入本产品内部

警告

直接或间接接触带电零件将使危险的电流流过人体。

这可能导致电击、烧伤或死亡事故。

- ▶ 对电气系统和带电部件进行工作时，只允许受过培训的电气专业人员执行操作
- ▶ 对于电源连接和所有接口连接，只允许使用满足相应标准要求的电缆和接头
- ▶ 请制造商立即更换损坏的电气部件
- ▶ 定期检查本产品上的所有连接的电缆及全部端口。必须立即排除连接松动或电缆划伤等缺陷

注意

损坏本产品内的零件！

打开本产品将导致保修和质保失效。

- ▶ 严禁打开外壳
- ▶ 只允许本产品的制造商进入本产品内部

3 运输和保存

3.1 概要

本章提供有关本产品运输与存放的全部必要信息并简要介绍本产品的零部件及辅件。

3.2 开箱

- ▶ 打开包装箱上盖
- ▶ 拆除包装材料
- ▶ 打开包装
- ▶ 检查交付的产品是否完整
- ▶ 检查交付的产品是否损坏

3.3 零部件和辅件

零部件

以下部件随本产品一起提供：

- 产品
- 电源线 (1197250-0x, 1197251-0x, 1197252-0x)
- 安装说明
- 补充说明 (选装项)
更多信息: "有关阅读本文档的说明", 页 115

辅件

以下是可选件，是可向海德汉公司订购的附加辅件：

辅件	零件号
单位支架 Single-Pos 用于刚性安装，倾斜角 20°	1197273-01
多位安装座 Multi-Pos 固定在安装臂上，可连续倾斜和转动	1197273-02
安装架 用于安装在面板上。仅适用于 DRO 203 和 DRO 30x 产品。	1197274-01
盖 用于避免灰尘和污物	1197275-01
KT 130 找边器 用于探测工件 (设置参考点)。仅适用于 DRO 30x 产品。	283273-xx
IOB 610 用于切换输入输出功能。仅适用于 DRO 30x 产品。	1197271-01

3.4 如果在转运中损坏

- ▶ 向运输代理确认货损
- ▶ 保留包装材料进行检查
- ▶ 通知损坏件的发送方
- ▶ 有关备件，请联系代理商或机床制造商



如果在转运中损坏：

- ▶ 保留包装材料进行检查
 - ▶ 联系海德汉或机床制造商
- 这同样适用于转运期间所需更换件的损坏。

3.5 重新包装和保存

按照下面的条件认真重新包装及保存本产品。

重新包装

重新包装时需尽可能达到原包装程度。

- ▶ 将所有安装件和防尘盖安装在本产品上或用工厂发货时的相同方法重新包装。
- ▶ 重新包装本产品，避免在转运期间的碰撞和振动
- ▶ 重新包装本产品，避免本产品落尘或潮湿
- ▶ 放入原发运时原包装中的全部辅件

更多信息: "零部件和辅件", 页 119

- ▶ 包括补充说明 (如果在零部件中)，安装说明和操作说明。

更多信息: "文档的存放和分发", 页 116



如将本产品送回服务部维修：

- ▶ 发运本产品，无需辅件、测量设备、外部设备

本产品的存放

- ▶ 按照以上要求包装本产品
- ▶ 遵守环境条件要求
- ▶ 运输后或长期保存后，检查本产品是否损坏

4 安装

4.1 概要

本章介绍安装本产品所需的全部信息。



以下步骤只能由有资质的人员执行。
更多信息: "人员资质", 页 117

4.2 组装

一般安装信息

后面板提供不同安装形式的安装位置。该端口适用于 VESA 标准 100 mm x 100 mm。

DRO 10x : **更多信息:** "G", 页 125

DRO 203, DRO 30x : **更多信息:** "K", 页 126

用于将安装件固定在设备上的材料随本产品一起提供。

还需要以下工具：

- Torx T20 螺丝刀
- 2.5 mm 内六角扳手
- 7 mm 套筒扳手
- 在支承面上安装所需的材料



本产品必须安装在支架上或安装座中，以确保本产品正确及符合预期地工作。

电缆走线



有关安装后的电缆走线建议，参见支架和安装座图。

单位支架 Single-Pos : **更多信息:** "C", 页 4

多位安装座 Multi-Pos : **更多信息:** "D", 页 4

安装架 : **更多信息:** "E", 页 4

如果安装在支架上：

- ▶ 归并电缆
- ▶ 将归并的电缆从后方穿过支架的开孔
- ▶ 使电缆横线走线至连接端口

如果安装在固定座上：

- ▶ 归并电缆
- ▶ 使电缆横线走线至连接端口
- ▶ 将电缆用电缆束线带固定在安装臂上

4.2.1 安装在单位支架上

单位支架允许以 20° 的倾斜角将本产品放在一个表面上或用螺栓将本产品固定在表面上。

将支架安装在本产品背面的 VESA 100 上端螺纹孔中

- ▶ 用 Torx T20 螺丝刀紧固沉头螺栓 M4 x 8 ISO 14581，该螺栓随本产品一起提供
- ▶ 紧固扭矩需满足 2.6 Nm 的允许值要求

牢固固定本产品，避免工作时本产品不稳定

- ▶ 将随本产品一起提供的自粘橡胶垫固定在本产品的底部
- ▶ 如果未用螺栓将本产品固定在表面上，将自粘橡胶垫固定在支架的底部



仅当本产品未用螺栓固定在表面上时，才能将橡胶垫固定在支架上。

更多信息: "C", 页 4

单位支架的尺寸

DRO 10x : **更多信息:** "H", 页 125

DRO 203, DRO 30x : **更多信息:** "L", 页 127

4.2.2 安装在多位安装座上

将安装座安装在本产品背面 VESA 100 下端螺纹孔中

- ▶ 用 Torx T20 螺丝刀紧固沉头螺栓 M4 x 10 ISO 14581（黑色），该螺栓随本产品一起提供
- ▶ 紧固扭矩需满足 2.5 Nm 的允许值要求

倾斜和转动安装座使其位于适合观看数显装置的角度。

更多信息: "D", 页 4

多位安装座尺寸

DRO 10x : **更多信息:** "I", 页 126

DRO 203, DRO 30x : **更多信息:** "M", 页 127

4.2.3 安装在安装架上



安装架只适用于 DRO 203 和 DRO 30x 产品。

安装架用于将本产品安装在面板上。

将安装架的背板安装在本产品背板的 VESA 100 螺纹孔中

- ▶ 用 2.5 mm 内六角扳手紧固 M4 x 6 ISO 7380 螺栓，该螺栓随本产品一起提供
- ▶ 紧固扭矩需满足 2.6 Nm 的允许值要求

将背板和本产品安装在安装架的前板上

- ▶ 用 7 mm 套筒扳手紧固 M4 ISO 10511 螺栓，该螺栓随本产品一起提供
- ▶ 紧固扭矩需满足 3.5 Nm 的允许值要求

将安装架和数显装置安装在面板上

- ▶ 有关面板的开口和安装信息，参见随安装架一起提供的安装说明

更多信息: "E", 页 4

安装架的尺寸

更多信息: "N", 页 127

4.2.4 安装防尘盖

防尘盖用于避免灰尘和污物进入本产品内。

将防尘盖放在本产品上

- ▶ 将防尘盖盖在本产品上
- ▶ 朝本产品正面看时，在右侧对准防尘盖与本产品

将防尘盖安装在本产品上

- ▶ 拆下粘垫的防护胶带
- ▶ 将粘垫向本产品内折叠
- ▶ 向本产品方向按压粘垫，使粘垫牢固固定在本产品上

5 系统安装

5.1 概要

本章包括本产品安装所需的全部信息。



以下步骤只能由具有资质的人员执行。

更多信息: "人员资质", 页 117

5.2 一般信息

注意

结合和分离连接件！

内部部件有损坏风险。

- ▶ 设备带电时，严禁连接任何连接件或断开其连接

注意

静电放电 (ESD) ！

本产品中的部分零部件对静电放电敏感，可被静电放电 (ESD) 损坏。

- ▶ 必须遵守静电放电敏感部件操作的安全注意事项
- ▶ 如果未正确接地，严禁接触接头针脚
- ▶ 连接产品时，必须佩戴接地的 ESD 腕带

注意

不正确的针脚编号！

这可能导致本产品故障或损坏。

- ▶ 只能使用规定的针脚编号或电线

5.3 产品简介

该设备的后面板的接头带防尘盖，避免被污染和损坏。

注意

如果防尘盖缺失，可造成污染或损坏！

这可能影响触点正常工作和损坏触点。

- ▶ 只有连接测量设备或外部设备时才能拆下防尘盖
- ▶ 如果断开与测量设备或外部设备的连接，需重新将防尘盖固定在端口处



端口的类型和数量与产品版本有关。

后面板无防尘保护盖

DRO 10x : [更多信息: "A", 页 3](#)

DRO 203 , DRO 30x : [更多信息: "B", 页 3](#)

后面板

- 1 电源开关和电源接口
- 2 IEC 60471 - 5017 标准的地线（接地）端子
- 3 **X31** : 连接 U 盘和计算机的 USB 2.0 高速端口（C 型）（位于防尘盖下）
- 4 **X1 至 X4** : 设备带 9 针 D-sub 端口，该端口用于连接 TTL 接口的编码器
- 5 **X10** : 15 针 D-sub 端口，用于连接测头和辅助设备（例如海德汉测头，IOB）。仅适用于 DRO 30x 产品。

5.4 连接编码器

- ▶ 拆下并保存防尘盖
- ▶ 根据安装方式安排电缆走线

[更多信息: "组装", 页 120](#)

- ▶ 将编码器电缆牢固连接到相应端口上

[更多信息: "产品简介", 页 122](#)

- ▶ 如果电缆接头有安装螺栓，严禁紧固力过大

X1 至 X4 的针脚编号

[更多信息: "O", 页 128](#)

5.5 连接 USB 设备

- ▶ 打开防尘盖
- ▶ 将 USB 设备或电缆连接相应端口

[更多信息: "产品简介", 页 122](#)

X31 的针脚编号

[更多信息: "P", 页 128](#)

5.6 连接测头



以下测头可连接 DRO 30x 产品：

- 海德汉 KT 130 找边器

更多信息: "辅件", 页 119

- ▶ 拆下并保存防尘盖
- ▶ 根据安装方式安排电缆走线

更多信息: "组装", 页 120

- ▶ 将测头牢固连接端口 X10

更多信息: "产品简介", 页 122

- ▶ 如果电缆接头有安装螺栓，严禁紧固力过大

X10 的针脚编号

更多信息: "Q", 页 128

5.7 连接进线电压



警告

有电危险！

如果电气设备接地不正确，电击可能造成严重人员伤害或伤亡。

- ▶ 只能用 3 线的电源电缆
- ▶ 必须确保将地线正确连接建筑物的电气系统地线



警告

如果使用的电源电缆不符合本产品安装地国家的国家标准要求，可能发生火灾。

如果电气设备接地不正确，电击可能造成严重人员伤害或伤亡。

- ▶ 只能使用不低于本产品安装地国家标准要求的电源电缆

- ▶ 用满足要求的电源线将电源端口连接到带地线的 3 线电源插座

更多信息: "产品简介", 页 122

电源端口的针脚编号

更多信息: "R", 页 128

6 技术参数

6.1 产品技术参数

产品	
外壳	压铸铝
外壳尺寸	DRO 10x <ul style="list-style-type: none">285 mm x 160 mm x 46 mm DRO 203, DRO 30x <ul style="list-style-type: none">285 mm x 180 mm x 46 mm
固定系统, 配合尺寸	VESA MIS-D, 100 100 mm x 100 mm
显示	
显示单元	<ul style="list-style-type: none">LCD 宽屏显示屏 (15:9) 彩色显示屏 17.8 cm (7")800x 480 像素
用户界面	带键盘的用户界面 (GUI)
电气参数	
电源	<ul style="list-style-type: none">AC 100 V ... 240 V (±10 %)50 Hz ... 60 Hz (±5 %)最大输入功率 30 W
过压类别	II
编码器输入数	DRO 10x <ul style="list-style-type: none">1, 2 或 3 DRO 203 <ul style="list-style-type: none">3 DRO 30x <ul style="list-style-type: none">3 或 4
编码器接口	TTL: 最大电流 300 mA 最大输入频率 500 kHz
KT 130, IOB 610 接口	DC 5 V (±5 %)
数据接口	USB 2.0 高速 (C 型), 最大电流 500 mA

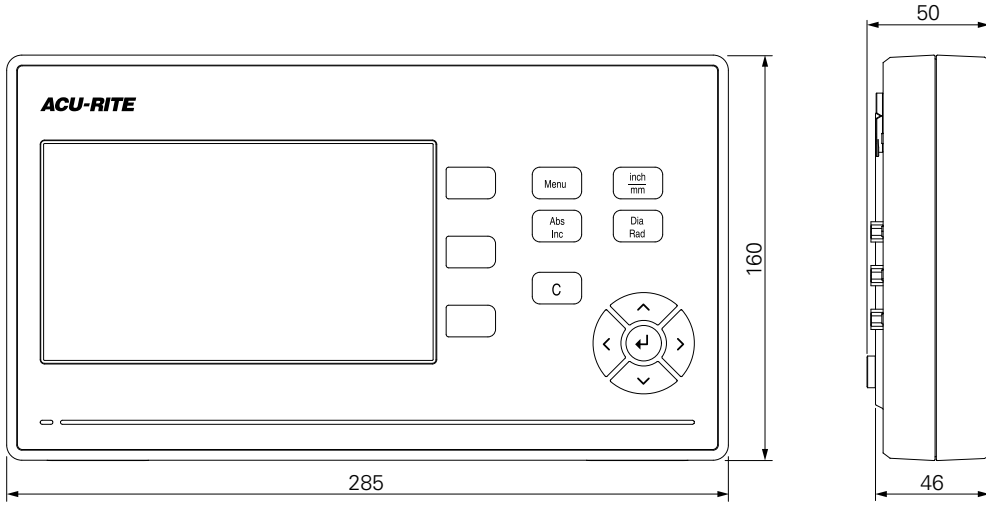
环境条件	
工作温度	0 °C ... 45 °C
存放温度	-20 °C ... 70 °C
相对空气湿度	40 % ... 80 %相对湿度, 无结露
海拔高度	≤ 2000 m
一般信息	
指令	<ul style="list-style-type: none">电磁兼容性指令 2014/30/EU低压设备指令 2014/35/EU
污染等级	2
防护等级 EN 60529	<ul style="list-style-type: none">前面板和侧面板: IP 54后面板: IP 40
重量	DRO 10x <ul style="list-style-type: none">1.5 kg带单位支架: 1.6 kg带多位安装座: 1.9 kg DRO 203, DRO 30x <ul style="list-style-type: none">1.9 kg带单位支架: 2.0 kg带多位安装座: 2.3 kg带安装架: 3.3 kg

6.2 产品尺寸和配合尺寸

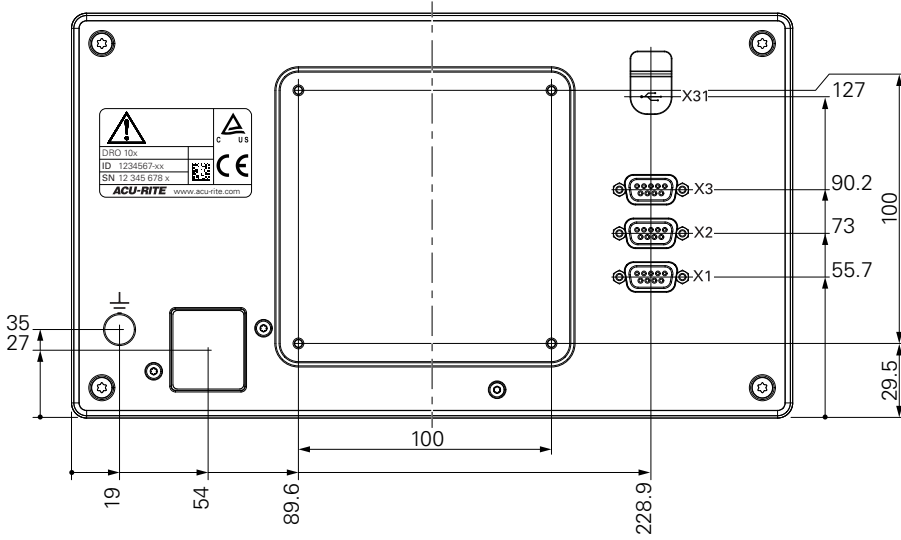
更多信息: 页 125 及以后页。

图中所有尺寸单位全部为毫米。

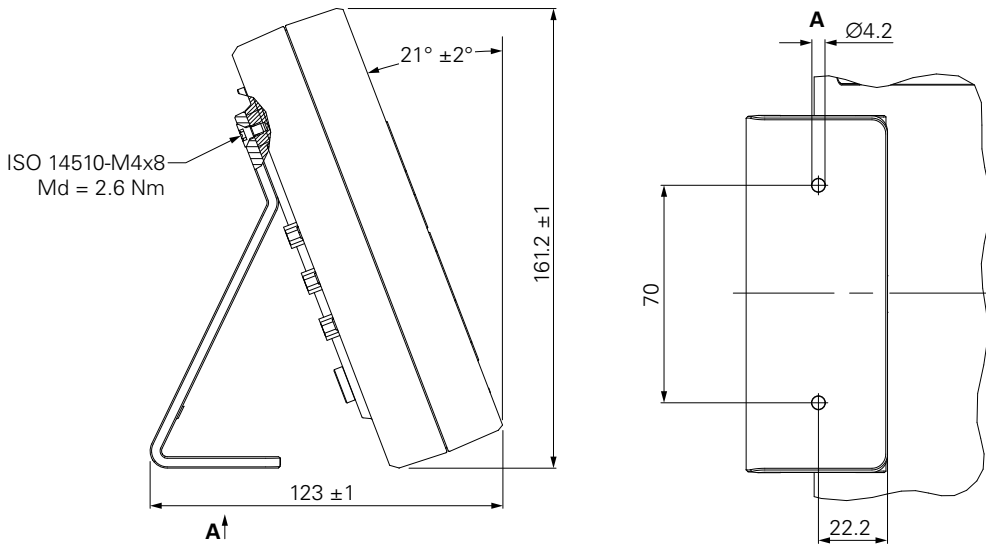
F

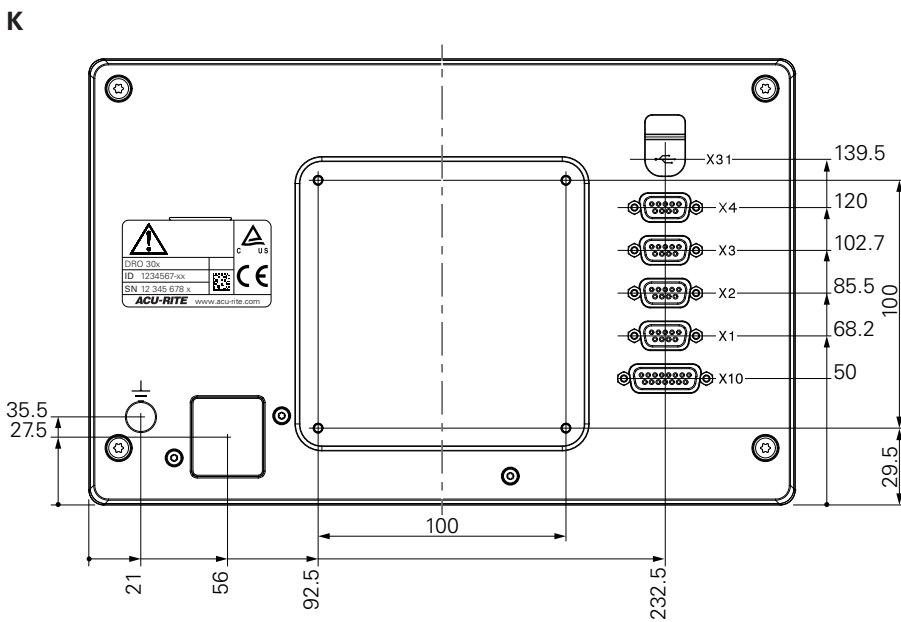
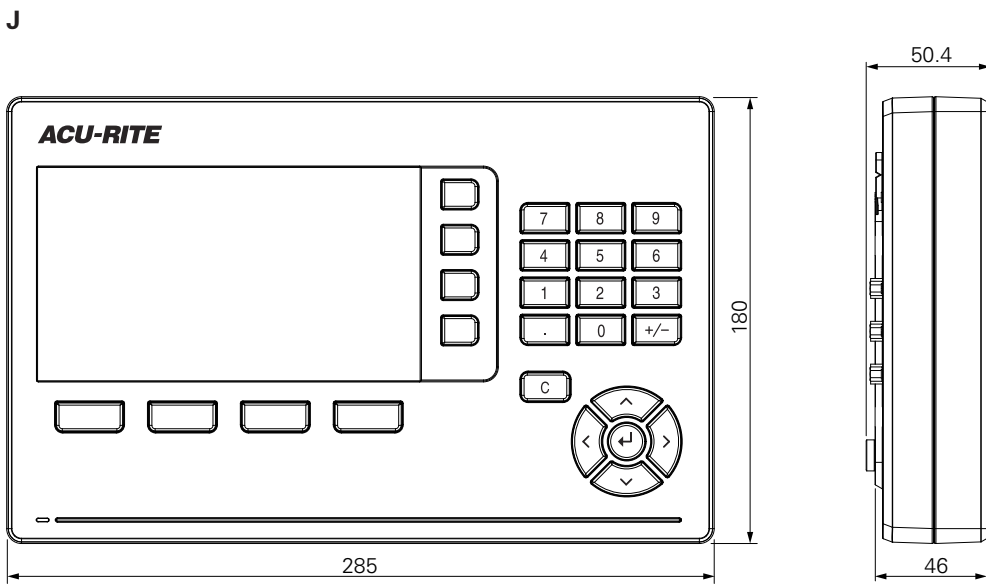
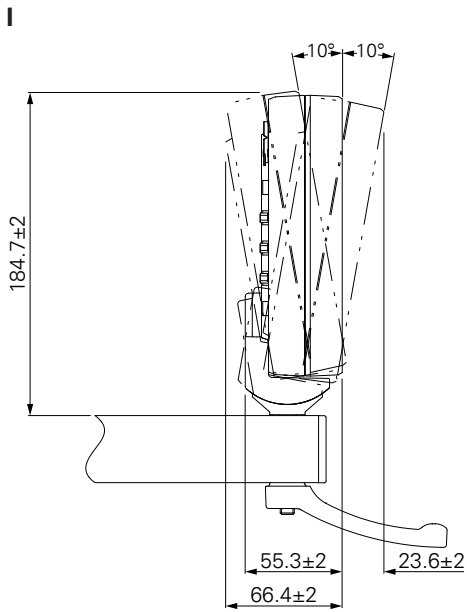


G

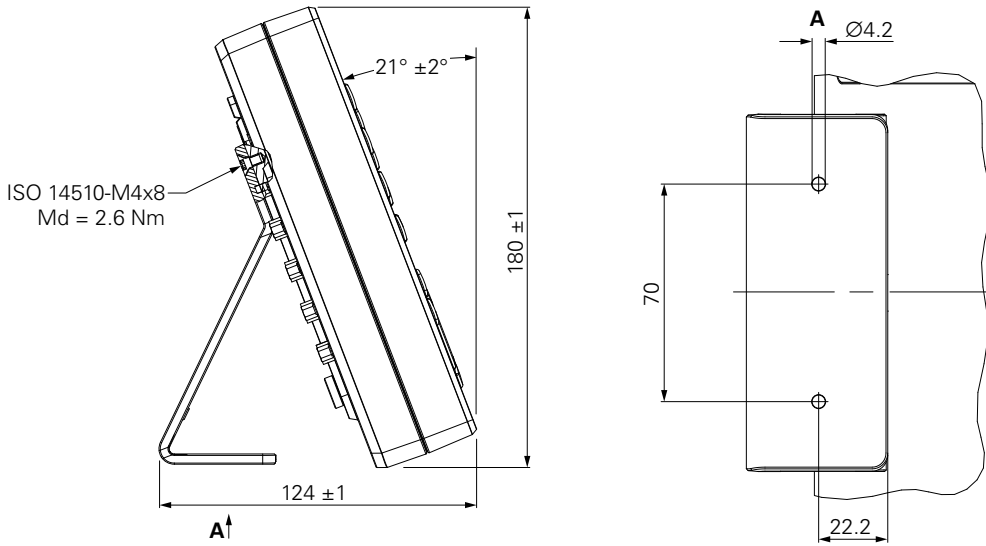


H

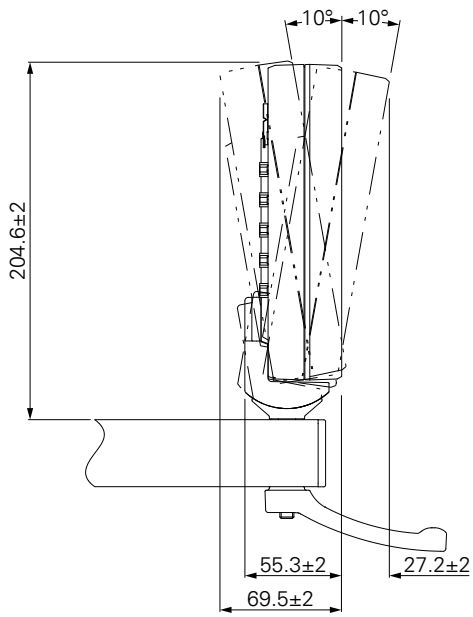




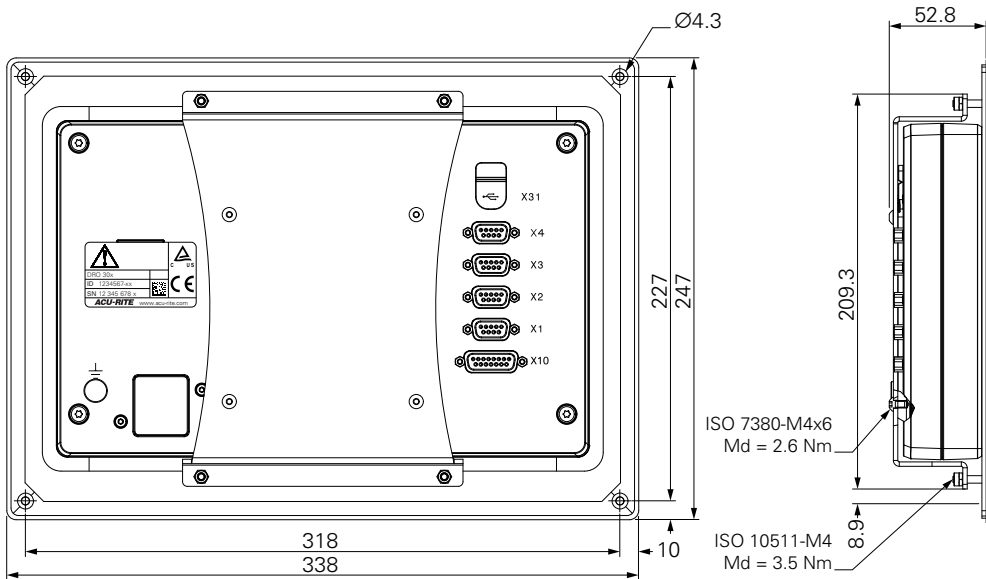
L



M

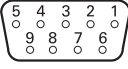


N



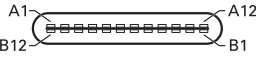
O

X1-X4

TTL								
								
1	2	3	4	5	6	7	8	9
/	U _{a1}	$\overline{U_{a1}}$	U _{a2}	$\overline{U_{a2}}$	0 V	U _p	$\overline{U_{a0}}$	U _{a0}

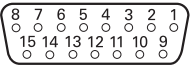
P

X31

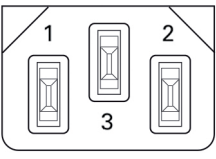

											
A1	A2	A3	A4	A5	A6	A7	A8	A9	A10	A11	A12
GND	TX1 +	TX1 -	VBUS	CC1	D +	D -	SBU1	VBUS	RX2 -	RX2 +	GND
B1	B2	B3	B4	B5	B6	B7	B8	B9	B10	B11	B12
GND	TX2 +	TX2 -	VBUS	CC2	D +	D -	SBU2	VBUS	RX1 -	RX1 +	GND

Q

X10

							
1	2	3	4	5	6	7	8
0 V	Probe ready	Signal low	/	/	DC 5 V	0 V	0 V
9	10	11	12	13	14	15	
Signal high	/	/	Value output contact	Probe input	Value output pulse	0 V	

R

		
1	2	3
L/N	N/L	

HEIDENHAIN

DR. JOHANNES HEIDENHAIN GmbH

Dr.-Johannes-Heidenhain-Straße 5

83301 Traunreut, Germany

☎ +49 8669 31-0

☎ +49 8669 32-5061

E-mail: info@heidenhain.de

Technical support ☎ +49 8669 32-1000

Measuring systems ☎ +49 8669 31-3104

E-mail: service.ms-support@heidenhain.de

NC support ☎ +49 8669 31-3101

E-mail: service.nc-support@heidenhain.de

NC programming ☎ +49 8669 31-3103

E-mail: service.nc-pgm@heidenhain.de

PLC programming ☎ +49 8669 31-3102

E-mail: service.plc@heidenhain.de

APP programming ☎ +49 8669 31-3106

E-mail: service.app@heidenhain.de

www.heidenhain.de

