

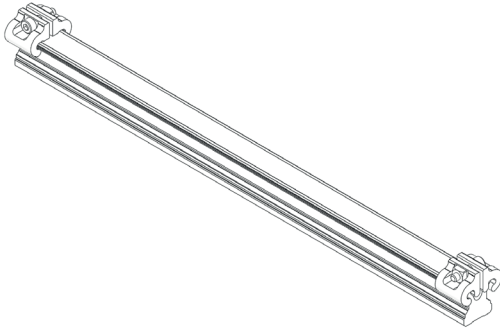
Mounting Instructions

Measuring Rail kit LMF 9310

AMO GmbH

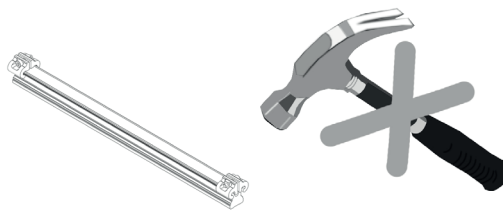
A-4963 St. Peter am Hart
Nöfing 4

Phone: +43 7722 658 56-0
e-mail: office@amo.at
www.amo-gmbh.com



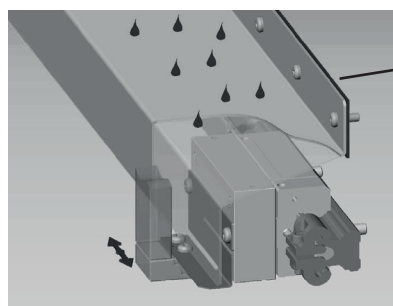
MA_LMF_HC_0217_00

Warnhinweise Warnings



Note: Mounting and commissioning is to be conducted by a qualified specialist under compliance with local safety regulations.

- Mounting surfaces must be clean and free of burrs.
- Clean properly up the whole mounting area to be free of metal chips, dust, old grease or other solid material chips
- For heavy contaminated environment use a protection shield as in the picture:



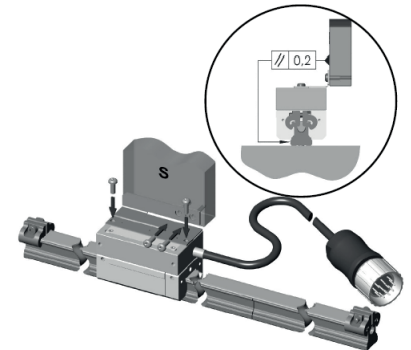
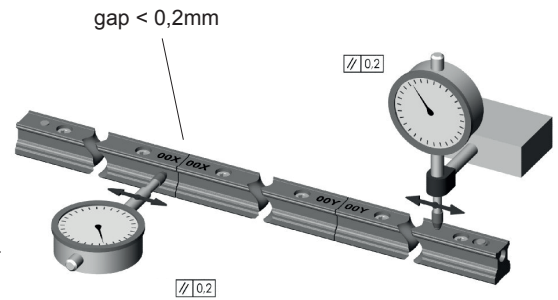
not included

Assembly Rails

The mounting surface of the rail must be fine machined (avoid painted surfaces!) parallel to the guide ways of the corresponding axes. Check this parallelity before mounting.

Mounting operations:

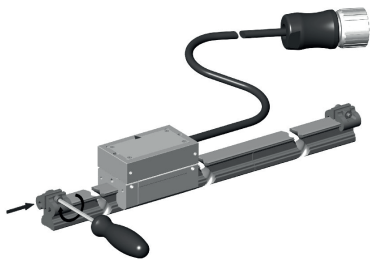
- Clean up and degrease the machine mounting surface
- Unpack the rail and screw it on preliminary from one end to the other consecutive with a torque of about 2 Nm. The end of the guide rail must be secured with a screw. For manually operated machines, it is sufficient to fix the rail with every 2nd screw.
- Align the rail parallel to the machine guide ways travelling with the dial gauge from one end to the other and screw it on with a torque of 8 Nm for each screw. The mounting tolerances are as in the figure: Flexibel mounting of the measuring slider over spring element.
- Place the next rail on the machine base in prolongation to the precedent and repeat the procedure.
- Check that the measuring slider has a smooth guided movement over the measuring rails joint point. If not, repeat the mounting operation for the respective joint elements.



Assembly Tapes

Mounting operations:

- Clean up the rail surface.
- Lay the carrier tape (thick tape without grating) and the measuring tape (thick tape with grating) into the rail first. Carrier tape must be under the measuring tape.
- Fix them every ~1m with help of the short pieces cover tapes which came with the delivery.
- After mounting the whole length, fix the two tapes with the cover tape (thin tape without grating). Therefore release the short pieces and continuously fix the tapes in parallel with the cover tape.
- Now mount the measuring head and the end brackets. You can also see the scanning head mounting in the mounting instruction LMK 3010.



Warnings:

- Handle the cover tape with care, don't bend it or damage its edges.
- Mounting the protective cover don't press it in the middle. This can cause undesired elongation of the tape! Always use two fingers to mount the cover tape. With the two fingers press it on the edges of the tape onto the rail in a continuous movement:

